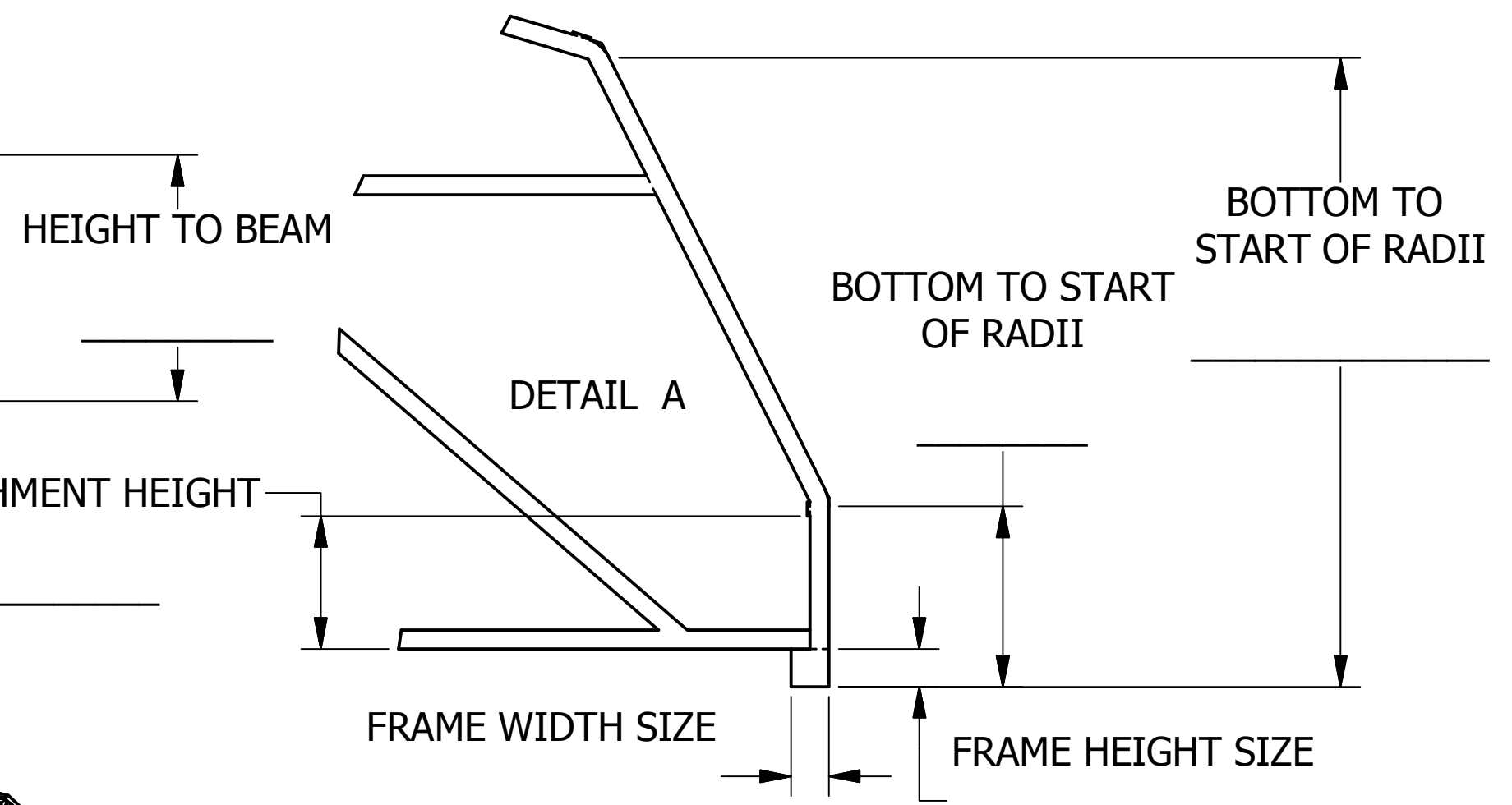
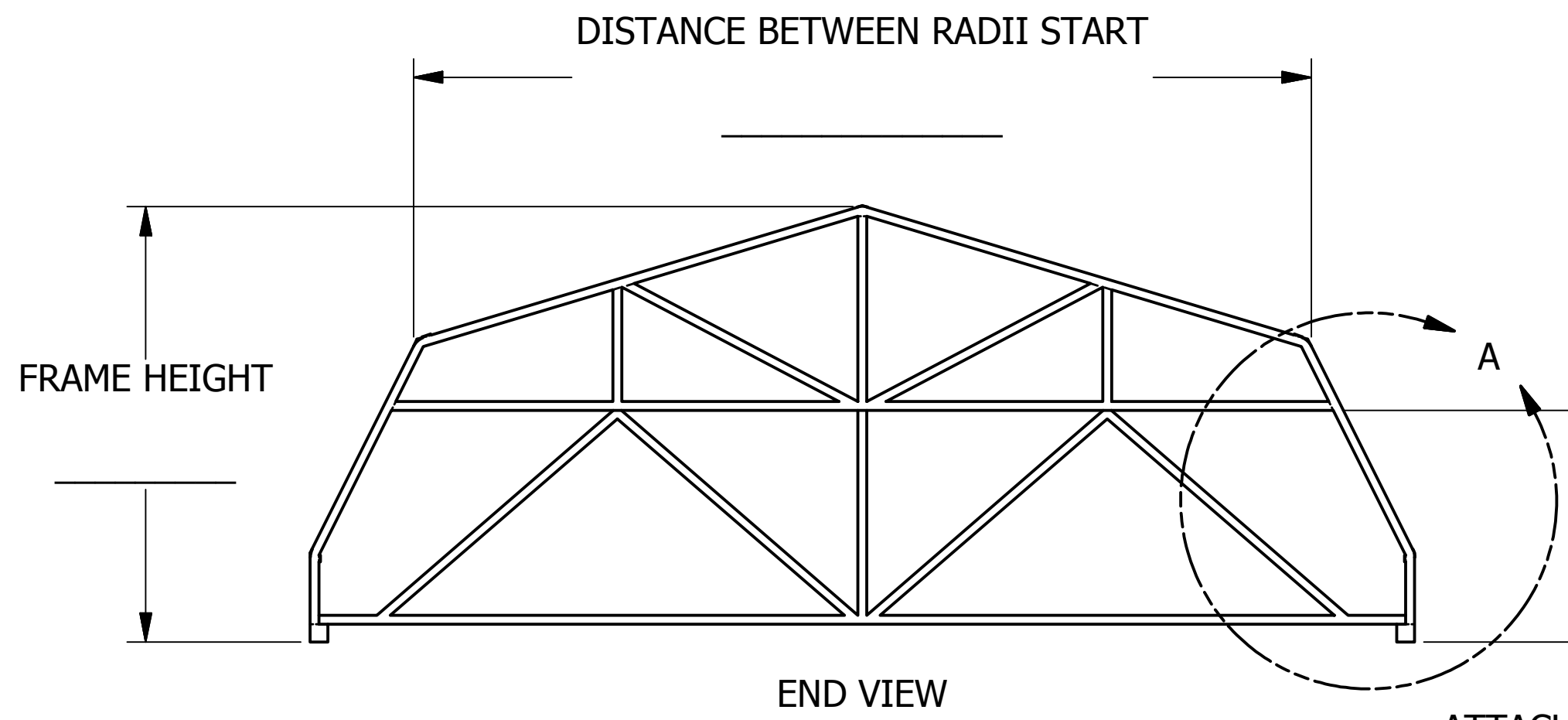
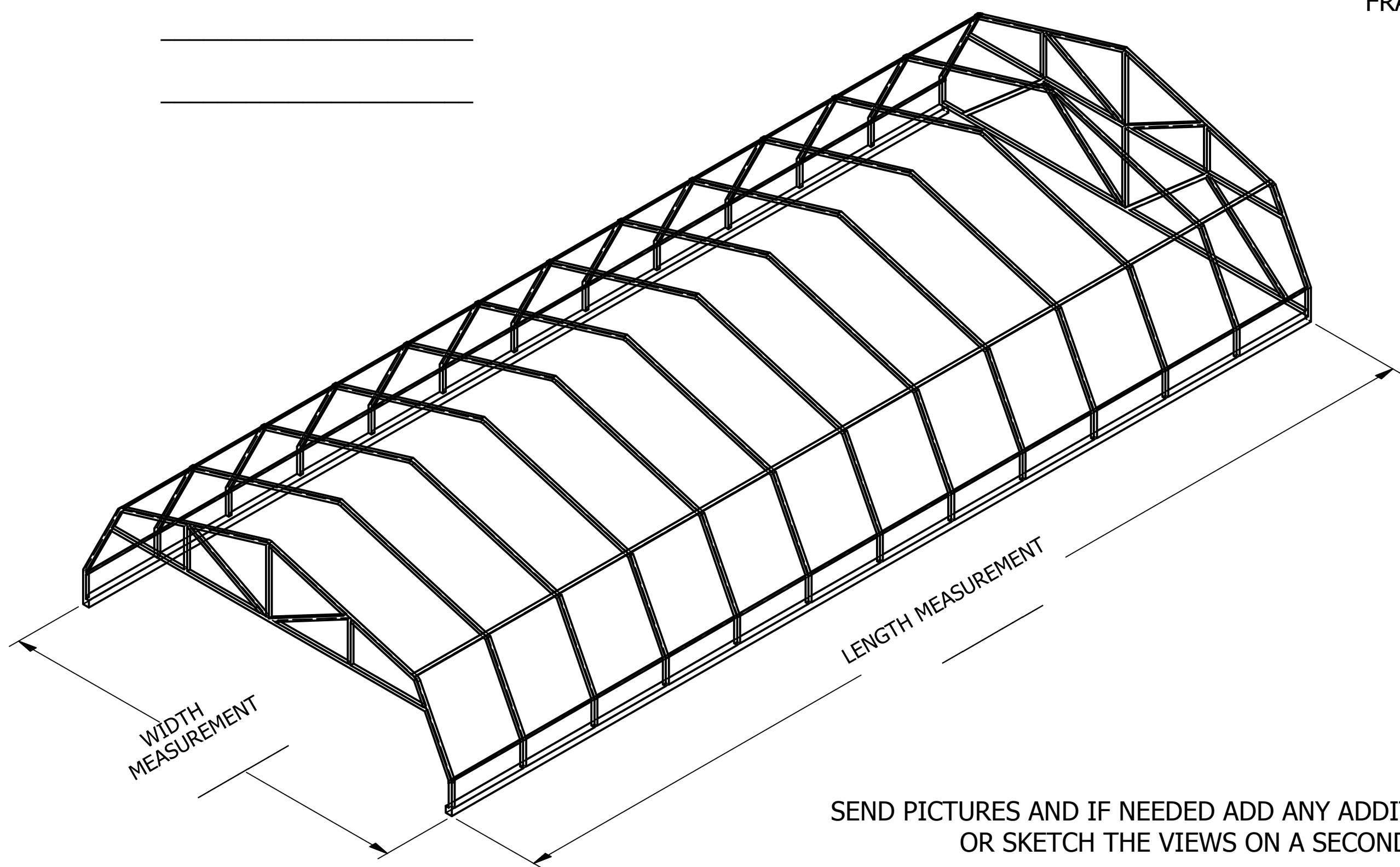


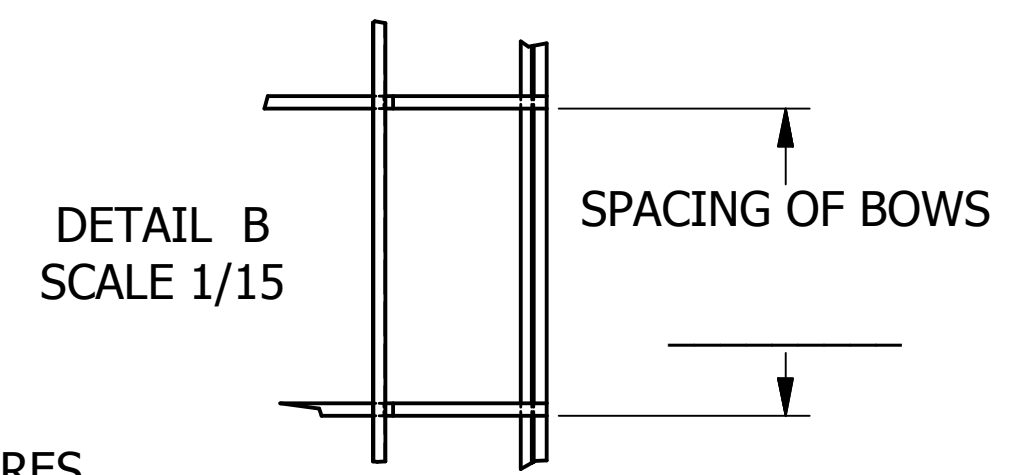
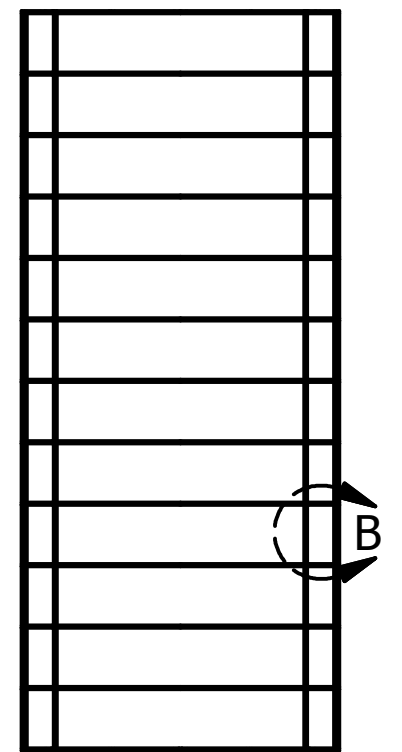
REVISIONS				
REV	ECN	DATE	DESCRIPTION	ISSUER
A	EC-00469	10/4/2016	RELEASE	RML



ATTACHMENT METHOD(S)



TOTAL NUMBER OF BOWS (INCLUDING ENDS)



SEND PICTURES AND IF NEEDED ADD ANY ADDITIONAL FEATURES OR SKETCH THE VIEWS ON A SECOND PAGE.

TOLERANCES - UNLESS NOTED
DECIMAL ±
FRACTION ±
ANGLE ±

NOTICE THIS ILLUSTRATION IS THE PROPERTY OF RUSH-CO, AND MUST NOT BE USED IN ANY WAY DETRIMENTAL TO RUSH-CO'S INTERESTS.



1314 Walnut St. - Springfield, SD 57062 605-369-6000

TITLE: GAMBREL TOWER FRAME DETAIL SHEET				SIZE C
DRFT: RML	DATE 9/18/2015	SCALE	SHEET 1	PART NO: F-137
ENGR: CWG	DATE		1	