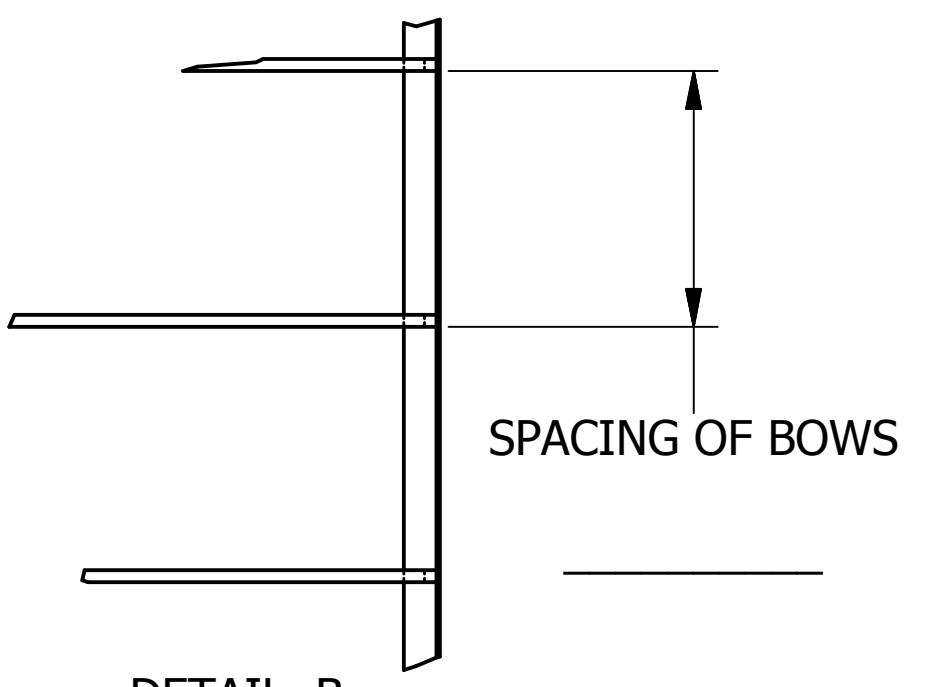
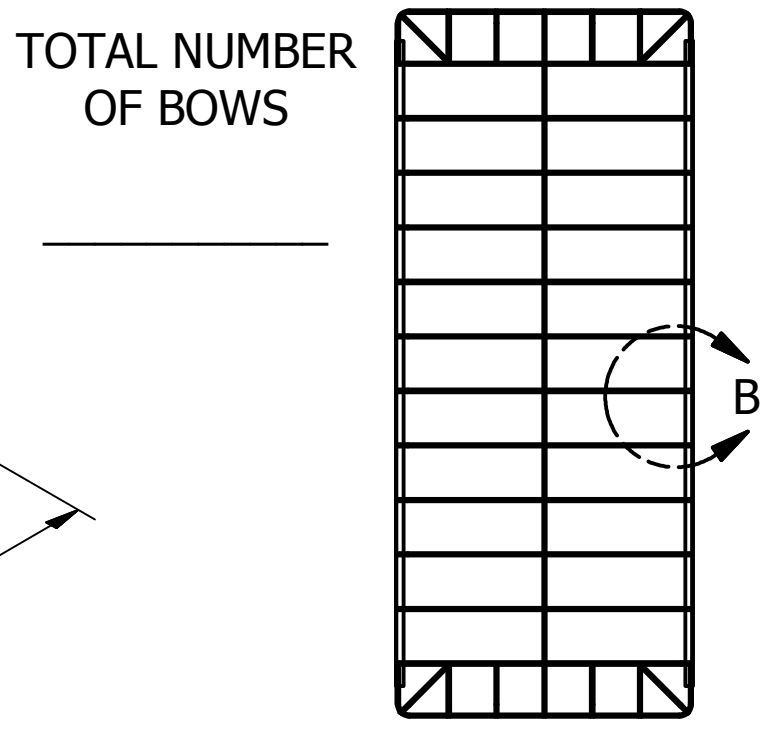
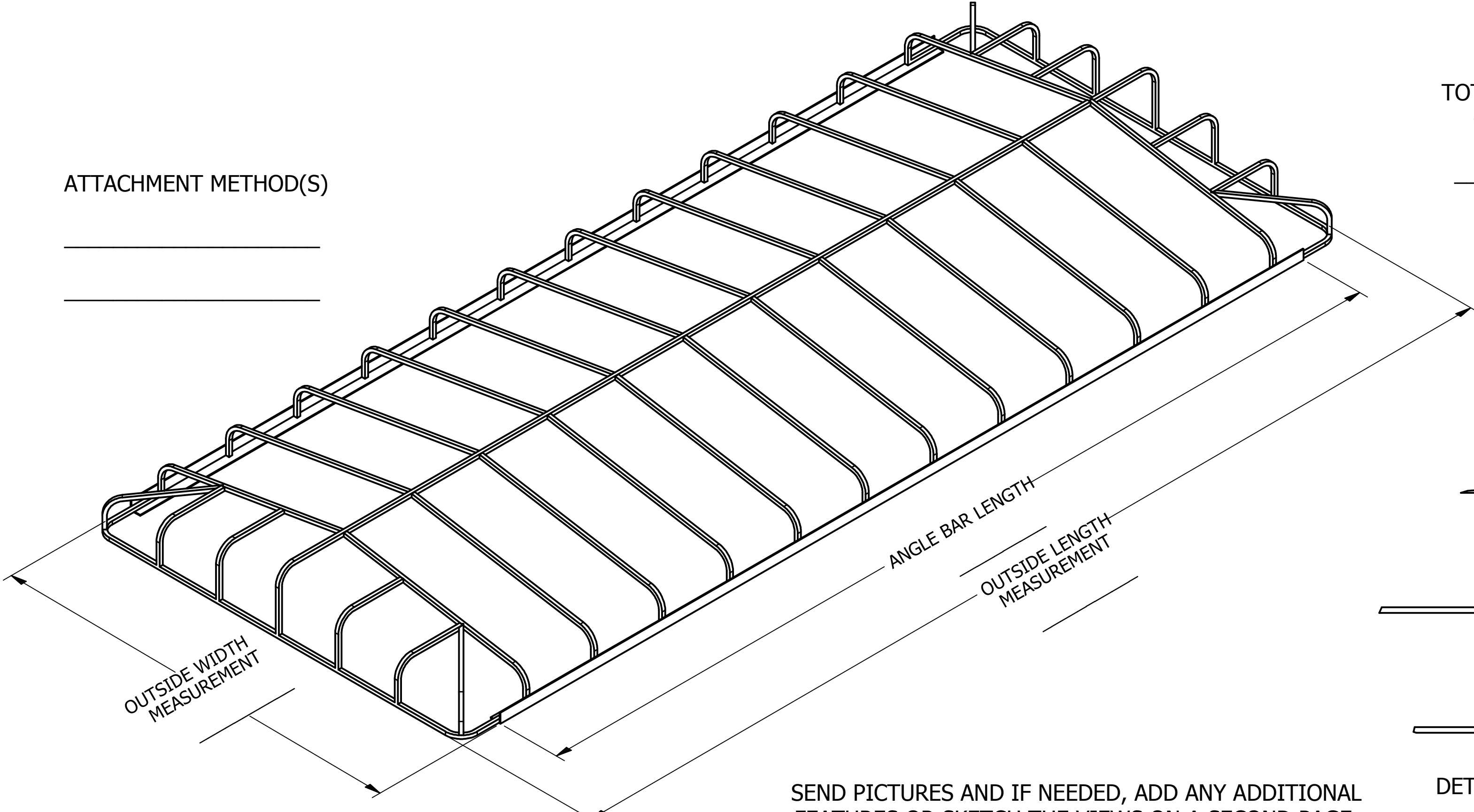
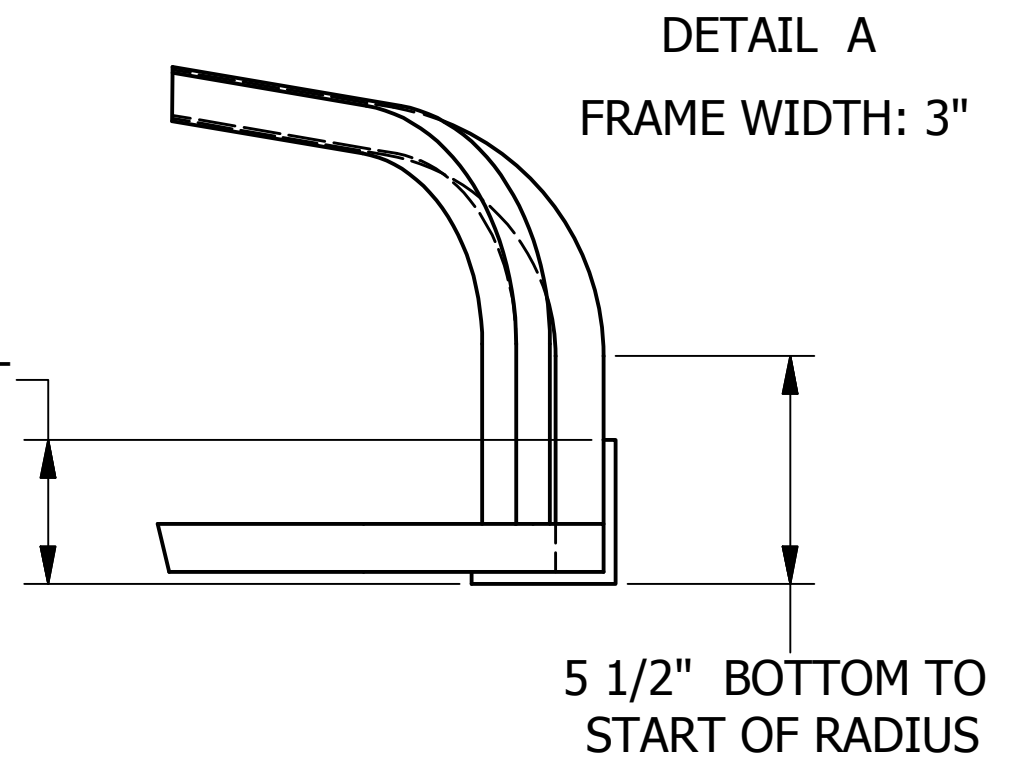
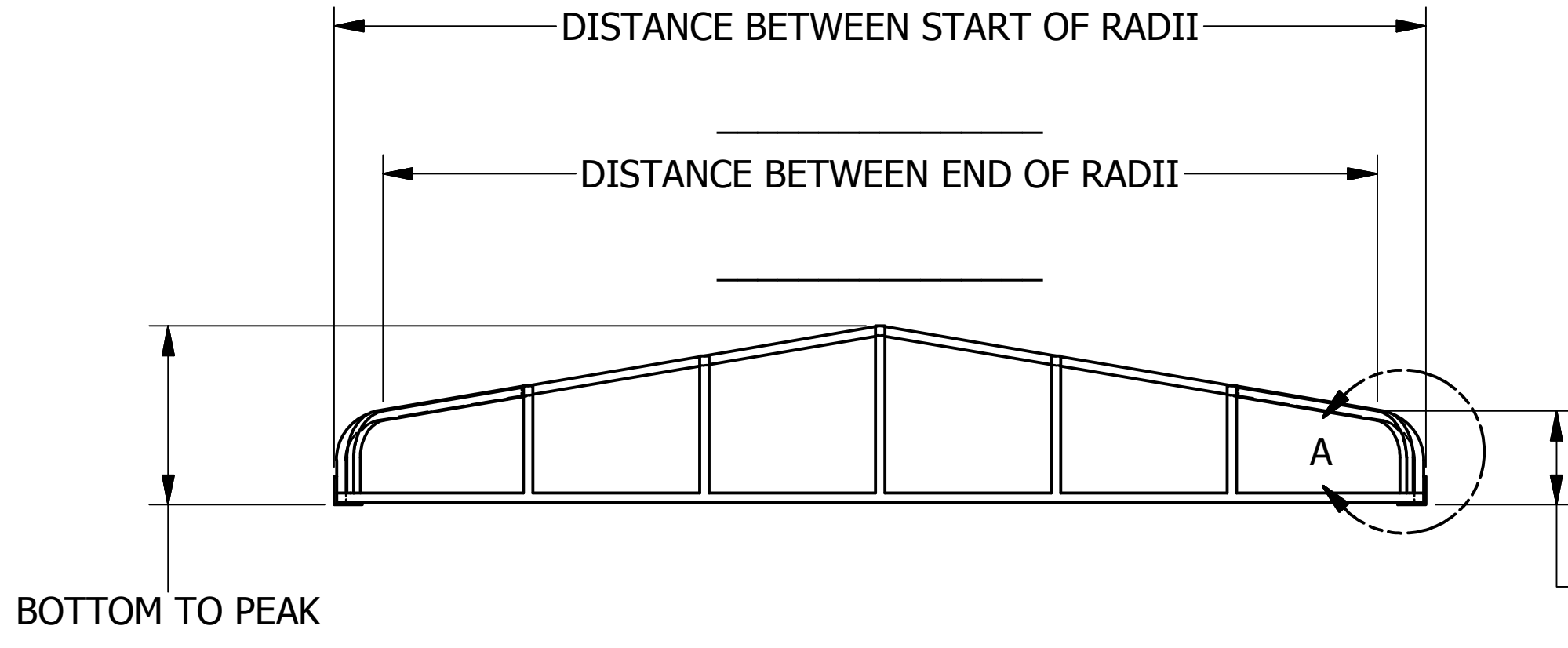


REVISIONS				
REV	ECN	DATE	DESCRIPTION	ISSUER
A	EC-00469	10/4/2016	RELEASE	RML



SEND PICTURES AND IF NEEDED, ADD ANY ADDITIONAL FEATURES OR SKETCH THE VIEWS ON A SECOND PAGE.

TOLERANCES - UNLESS NOTED
 DECIMAL ±
 FRACTION ±
 ANGLE ±



1314 Walnut St. - Springfield, SD 57062 605-369-6000

NOTICE THIS ILLUSTRATION IS THE PROPERTY OF RUSH-CO, AND MUST NOT BE USED IN ANY WAY DETRIMENTAL TO RUSH-CO'S INTERESTS.

TITLE: AQUAMATIC STYLE FRAME DETAIL SHEET			SIZE C
DRFT: RML	DATE 10/4/2016	SCALE	SHEET 1
ENGR: CWG	DATE 10/10/2016		PART NO: F-128