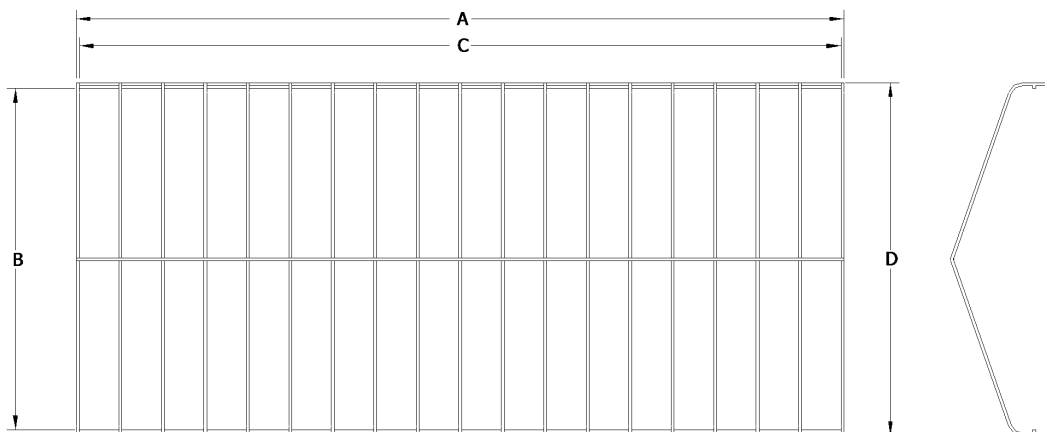


Attn: \_\_\_\_\_



RUSH-CO.®  
 1314 Walnut St.  
 Springfield, SD 57062  
 1.877.330.0512  
 RUSH-COMARINE.COM

**Beach King® Tower Frame  
 Specification Sheet**



**\*ALL MEASUREMENTS (±1")**

PART NO.	SIZE	OVERALL LENGTH "A"	INSIDE WIDTH "B"	SIDE RAIL LENGTH "C"	OUTSIDE WIDTH "E"
BKT2300114	23 ft. x 114 in.	23'	114"	22' 10"	118"
BKT2600114	26 ft. x 114 in.	26'	114"	25' 10"	118"
BKT2300120	23 ft. x 120 in.	23'	120"	22' 10"	128"
BKT2600120	26 ft. x 120 in.	26'	120"	25' 10"	128"
BKT2900120	29 ft. x 120 in.	29'	120"	28' 10"	128"

**ATTACHMENT**

The male buckle wraps around the bottom of the canopy frame while the female buckle wraps around the top of the canopy frame.

STANDARD VALANCE: 6" DROP

**\*\*If dimensions don't match above,  
 fill out detail sheet on page 2\*\***

**OUTSIDE DIMENSIONS**

- A \_\_\_\_\_ OVERALL LENGTH OF FRAME
- B \_\_\_\_\_ INSIDE WIDTH OF FRAME
- C \_\_\_\_\_ LENGTH OF SIDE RAILS (W/O ENDS)
- D \_\_\_\_\_ OUTSIDE WIDTH OF FRAME

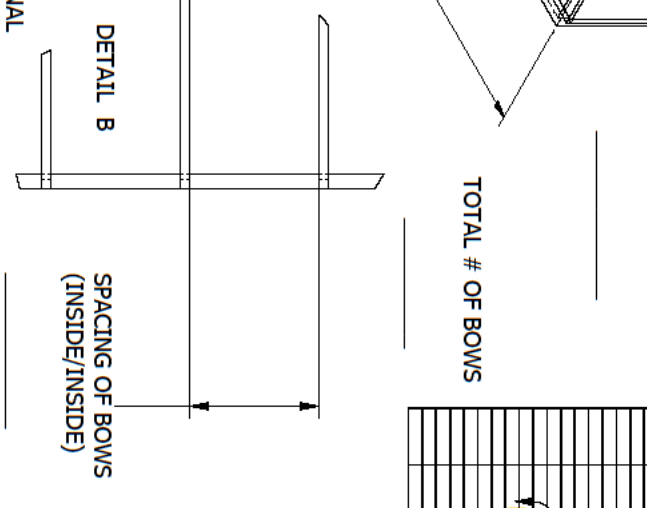
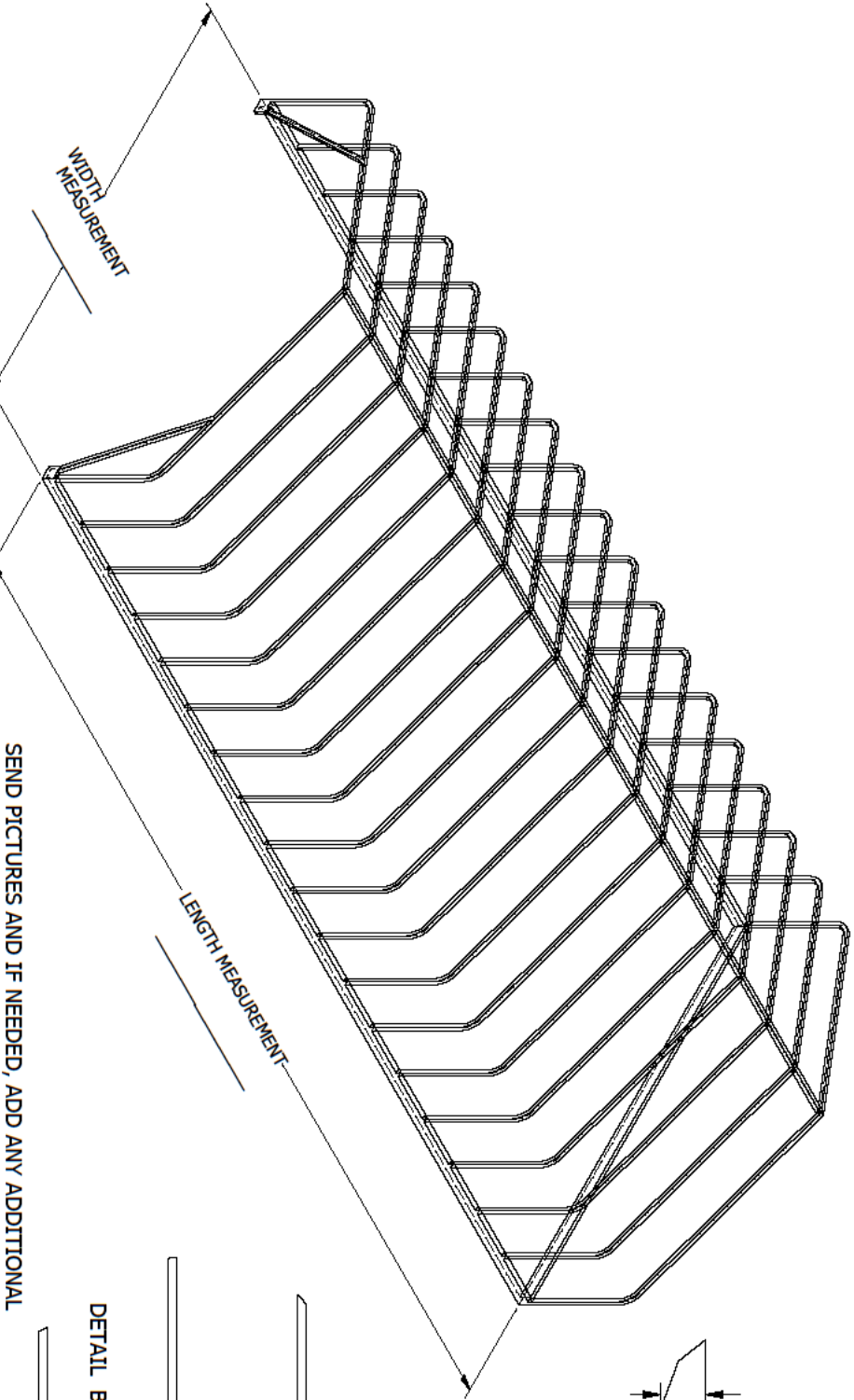
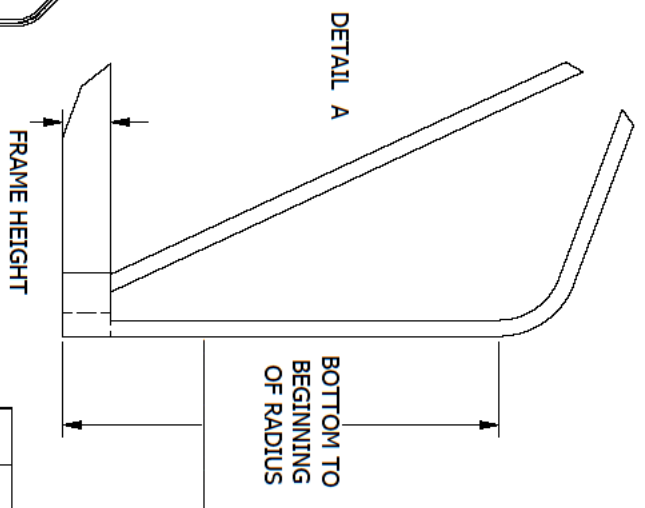
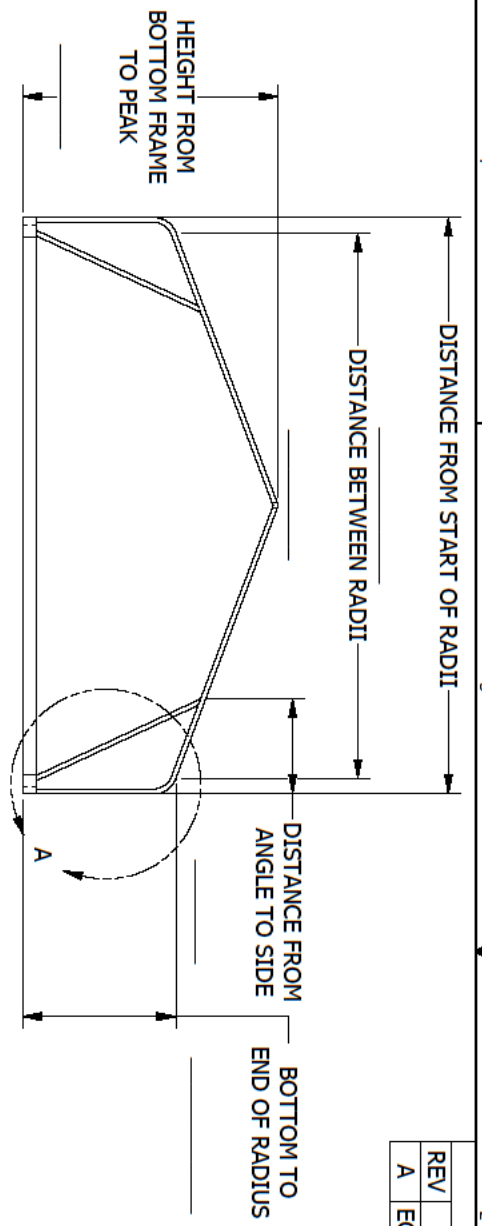
**CONTACT INFORMATION**

Name \_\_\_\_\_  
 Address \_\_\_\_\_  
 City \_\_\_\_\_ State \_\_\_\_\_ Zip \_\_\_\_\_  
 Phone \_\_\_\_\_ Fax \_\_\_\_\_  
 Boat Lift Brand \_\_\_\_\_

**NOTES**

\_\_\_\_\_  
 \_\_\_\_\_  
 \_\_\_\_\_

REVISIONS				ISSUER
REV	ECN	DATE	DESCRIPTION	RML
A	EC-00469	10/4/2016	RELEASE	RML



SEND PICTURES AND IF NEEDED, ADD ANY ADDITIONAL FEATURES OR SKETCH THE VIEWS ON A SECOND PAGE.



**TOLERANCES - UNLESS NOTED**  
 DECIMAL F.  
 FRACTION F.  
 ANGLE F.  
**NOTICE** THIS ILLUSTRATION IS THE PROPERTY OF RUSH-CO. AND MUST NOT BE USED IN ANY WAY DETRIMENTAL TO RUSH-CO'S INTERESTS.

**PEAKED TOWER FRAME DETAIL SHEET**  
 1314 Walnut St. - Springfield, SD 57062  
 605-369-6000  
 DRFT: RML  
 ENGR: CWG  
 DATE: 11/20/2015  
 DATE: 10/10/2016  
 SCALE: 1  
 SHEET: 1  
 PART NO.: F-139  
 SIZE: C