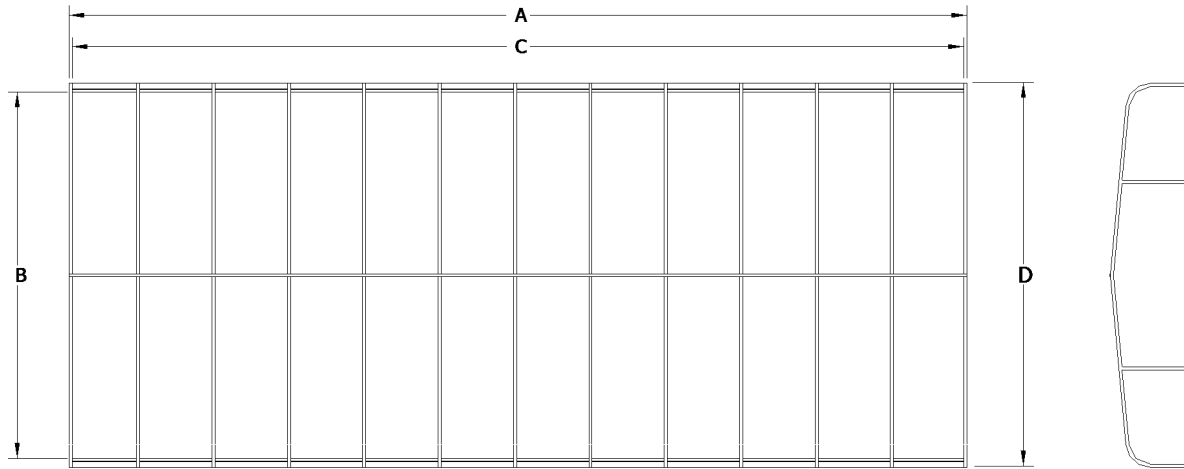


Attn: \_\_\_\_\_



**Custom Portable® Frame  
 Specification Sheet**



**\*ALL MEASUREMENTS (±1")**

PART NO.	SIZE	OVERALL LENGTH "A"	INSIDE WIDTH "B"	SIDE RAIL LENGTH "C"	OUTSIDE WIDTH "D"
CP2400120	24' X 120"	24'	121"	23' 10"	125"
CP2600120	26' X 120"	26'	121"	25' 10"	125"
CP2800120	28' X 120"	28'	121"	27' 10"	125"
CP2000108	20' X 108"	20'	108"	19' 10"	112"
CP2000114	20' X 114"	20'	115"	19' 10"	119"
CP2200114	22' X 114"	22'	115"	21' 10"	119"
CP2400114	24' X 114"	24'	115"	23' 10"	119"
CP2600114	26' X 114"	26'	115"	25' 10"	119"
CP2800114	28' X 114"	28'	115"	27' 10"	119"
CP3000114	30' X 114"	30'	115"	29' 10"	119"

**ATTACHMENT**

Ball bungees wrap around each bow on the sides

Velcro straps wrap around the bottom of the end frame

STANDARD VALANCE: 12" VALANCE

**OUTSIDE DIMENSIONS**

- A \_\_\_\_\_ OVERALL LENGTH OF FRAME
- B \_\_\_\_\_ INSIDE WIDTH OF FRAME
- C \_\_\_\_\_ LENGTH OF SIDE RAILS (W/O ENDS)
- D \_\_\_\_\_ OUTSIDE WIDTH OF FRAME

**\*\*If dimensions don't match above,  
 fill out detail sheet on page 2\*\***

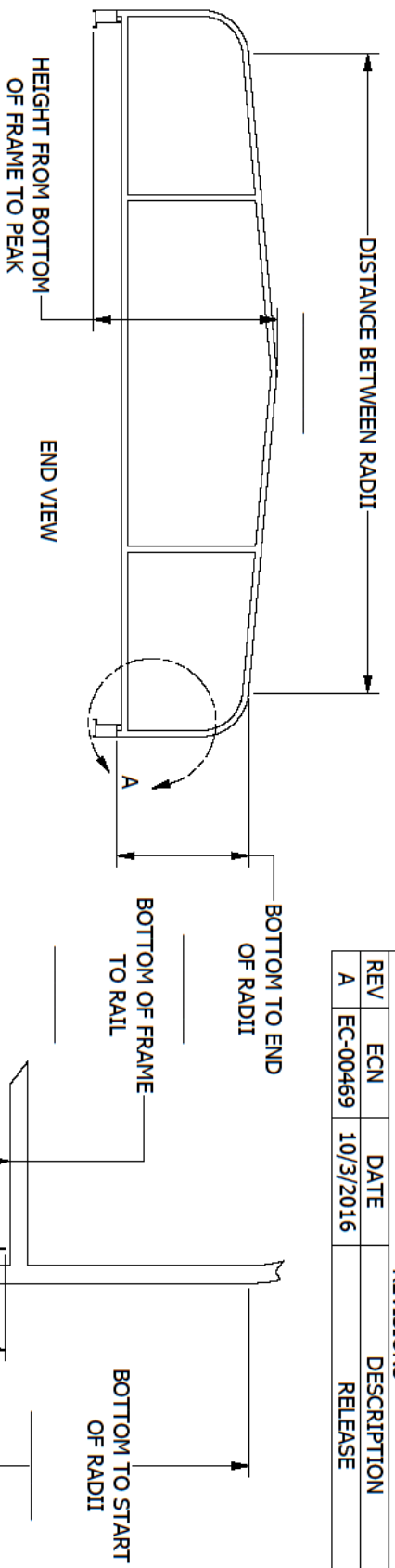
**CONTACT INFORMATION**

Name \_\_\_\_\_  
 Address \_\_\_\_\_  
 City \_\_\_\_\_ State \_\_\_\_\_ Zip \_\_\_\_\_  
 Phone \_\_\_\_\_ Fax \_\_\_\_\_  
 Boat Lift Brand \_\_\_\_\_

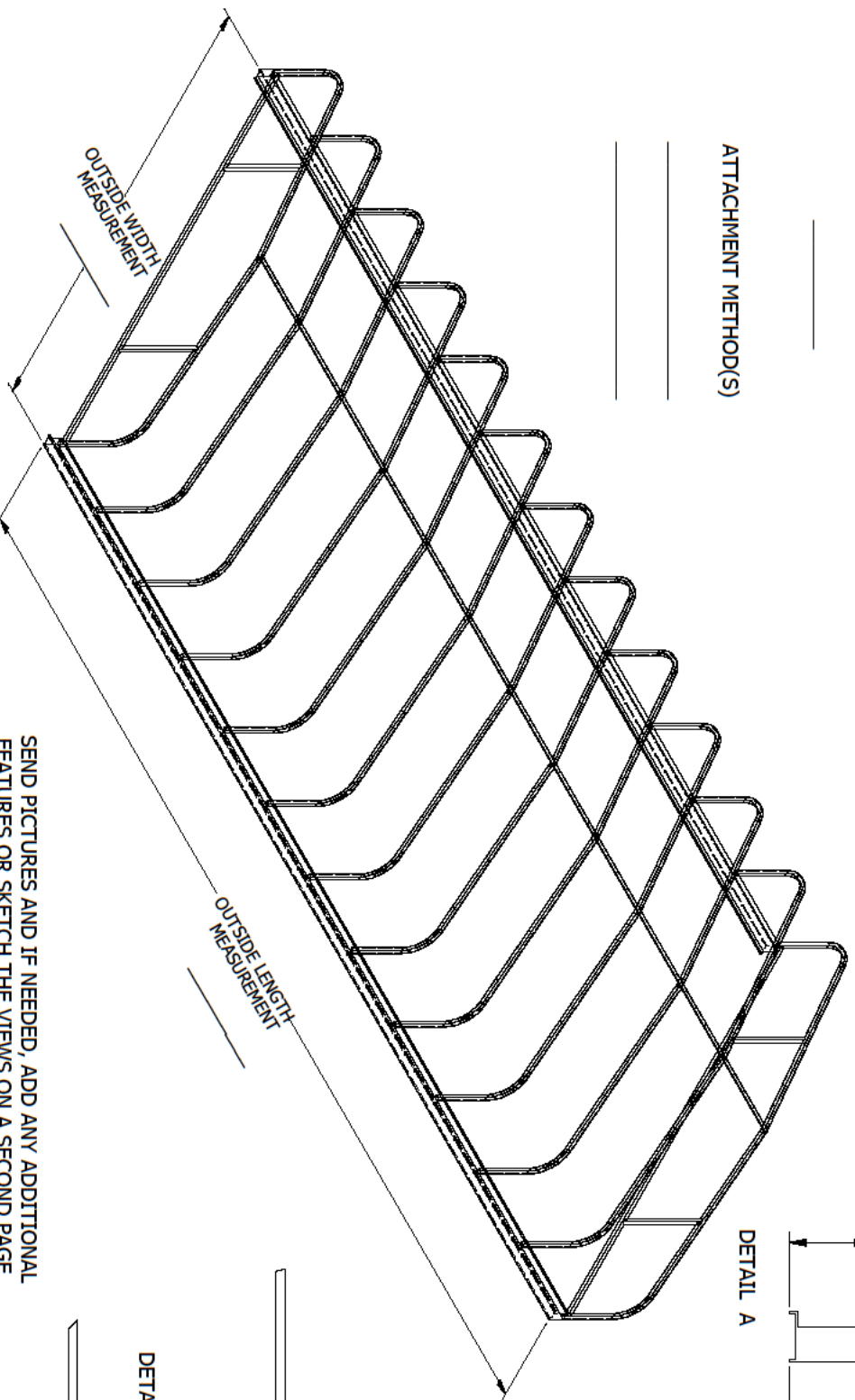
**NOTES**

\_\_\_\_\_  
 \_\_\_\_\_  
 \_\_\_\_\_

REVISIONS				ISSUER
REV	ECN	DATE	DESCRIPTION	RML
A	EC-00469	10/3/2016	RELEASE	RML



ATTACHMENT METHOD(S)



DETAIL A

HEIGHT OF FRAME

DETAIL B

SPACING OF BOWS

SEND PICTURES AND IF NEEDED, ADD ANY ADDITIONAL FEATURES OR SKETCH THE VIEWS ON A SECOND PAGE.

**TOLERANCES - UNLESS NOTED**

DECIMAL F  
FRACTION F  
ANGLE F

**RUSH-CO**

1314 Walnut St. - Springfield, SD 57062  
605-369-6000

**PEAKED RAISED END FRAME DETAIL SHEET**

DRAWN: RML DATE: 6/6/2008 SCALE: 1/1 SHEET: 1 OF 1 PART NO: F-141  
ENGR: CWS DATE: 10/10/2016

NOTICE: THIS ILLUSTRATION IS THE PROPERTY OF RUSH-CO. AND MUST NOT BE USED IN ANY WAY DETRIMENTAL TO RUSH-CO'S INTERESTS.

SIZE: C