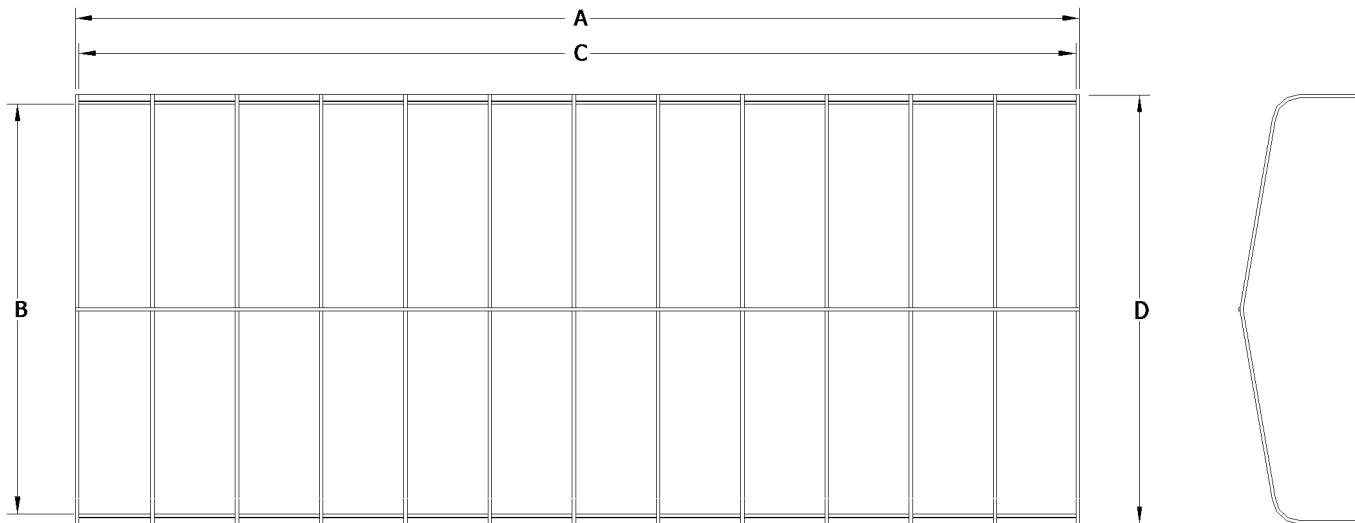


Attn: \_\_\_\_\_



**Dock Rite® USA Frame  
 Specification Sheet**



**\*ALL MEASUREMENTS (±1")**

PART NO.	SIZE	OVERALL LENGTH "A"	INSIDE WIDTH "B"	SIDE RAIL LENGTH "C"	OUTSIDE WIDTH "D"
DR1200064	12' X 64"	12'	64"	11' 10"	69"
DR1200075	12' X 75"	12'	75"	12'	80"
DR1900084	19' X 84"	19'	84"	19'	89"
DR2100096	21' X 96"	21'	96"	20' 10"	101"
DR2300114	23' X 114"	23'	114"	22' 10"	119"
DR2600114	26' X 114"	26'	114"	25' 10"	119"
DR2300120	23' X 120"	23'	120"	22' 10"	125"
DR2600120	26' X 120"	26'	120"	25' 10"	125"
DR2800120	28' X 120"	28'	120"	27' 10"	125"
DR3000120	30' X 120"	30'	120"	29' 10"	125"

**ATTACHMENT**

Hook bungees wrap around each bow on the sides

STANDARD VALANCE: 12" VALANCE

**OUTSIDE DIMENSIONS**

- A \_\_\_\_\_ OVERALL LENGTH OF FRAME
- B \_\_\_\_\_ INSIDE WIDTH OF FRAME
- C \_\_\_\_\_ LENGTH OF SIDE RAILS (W/O ENDS)
- D \_\_\_\_\_ OUTSIDE WIDTH OF FRAME

**\*\*If dimensions don't match above, fill out detail sheet on page 2\*\***

**CONTACT INFORMATION**

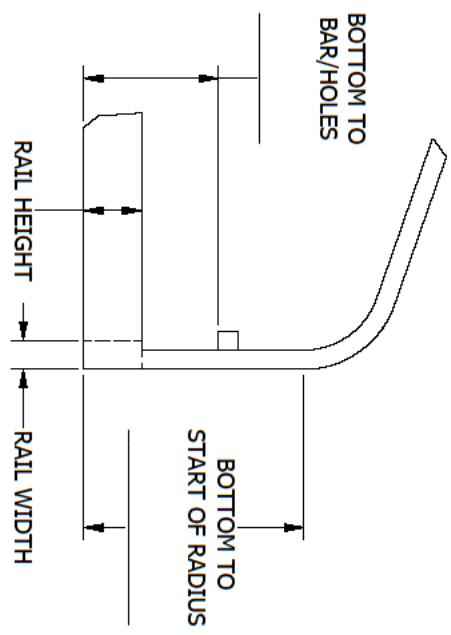
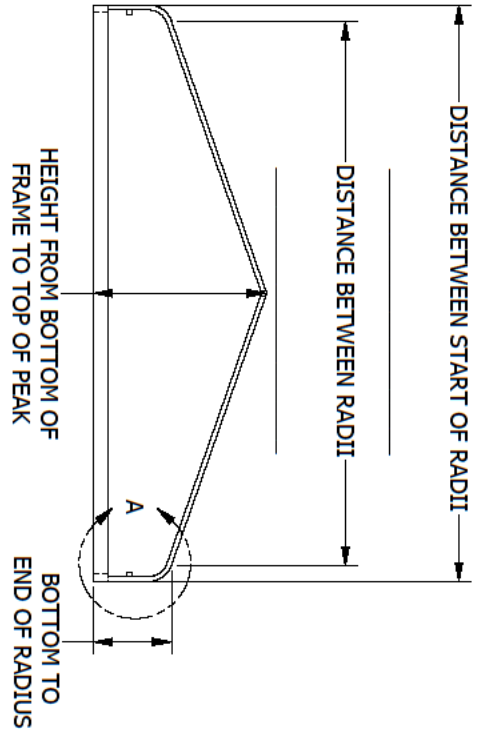
Name \_\_\_\_\_  
 Address \_\_\_\_\_  
 City \_\_\_\_\_ State \_\_\_\_ Zip \_\_\_\_\_  
 Phone \_\_\_\_\_ Fax \_\_\_\_\_  
 Boat Lift Brand \_\_\_\_\_

**NOTES**

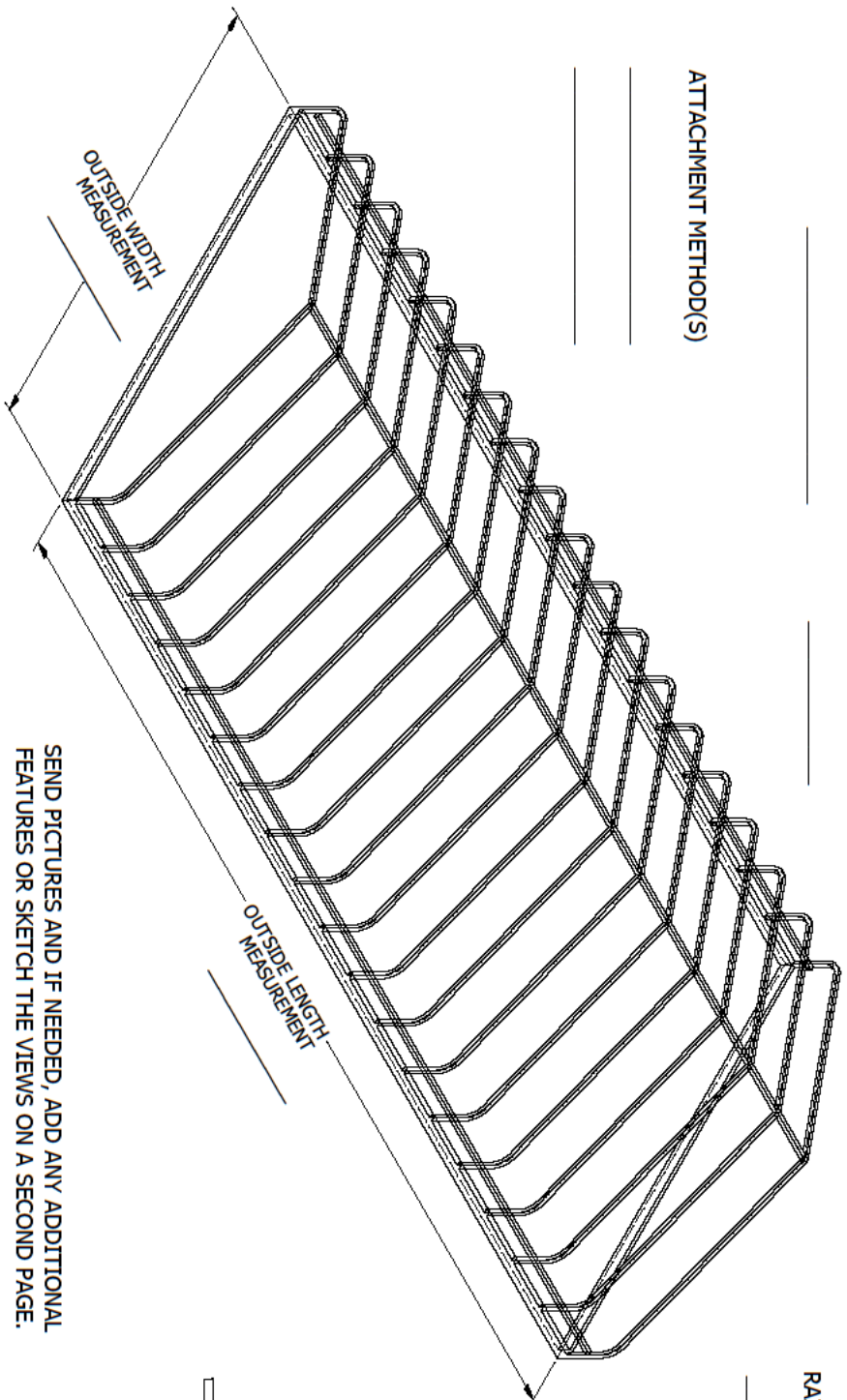
\_\_\_\_\_  
 \_\_\_\_\_  
 \_\_\_\_\_

REV	ECN	DATE	DESCRIPTION	ISSUER
A	EC-00469	10/4/2016	RELEASE	RML

REVISIONS



ATTACHMENT METHOD(S)

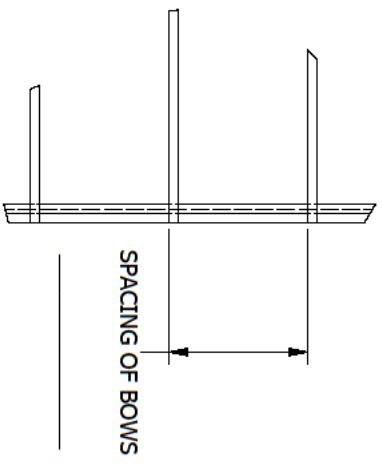


TOTAL NUMBER OF BOWS



SEND PICTURES AND IF NEEDED, ADD ANY ADDITIONAL FEATURES OR SKETCH THE VIEWS ON A SECOND PAGE.

DETAIL B



**TOLERANCES - UNLESS NOTED**

DECIMAL F. FRACTION F. ANGLE F.

**RUSH-CO**

1314 Walnut St. - Springfield, SD 57062 605-369-6000

**PEAKED FLUSHED END FRAME DETAIL SHEET**

DRAFT: RML DATE: 10/4/2016 SCALE: SHEET: 1 OF 1 PART NO: F-133

ENGINEER: CWS DATE: 10/10/2016

SIZE: C