

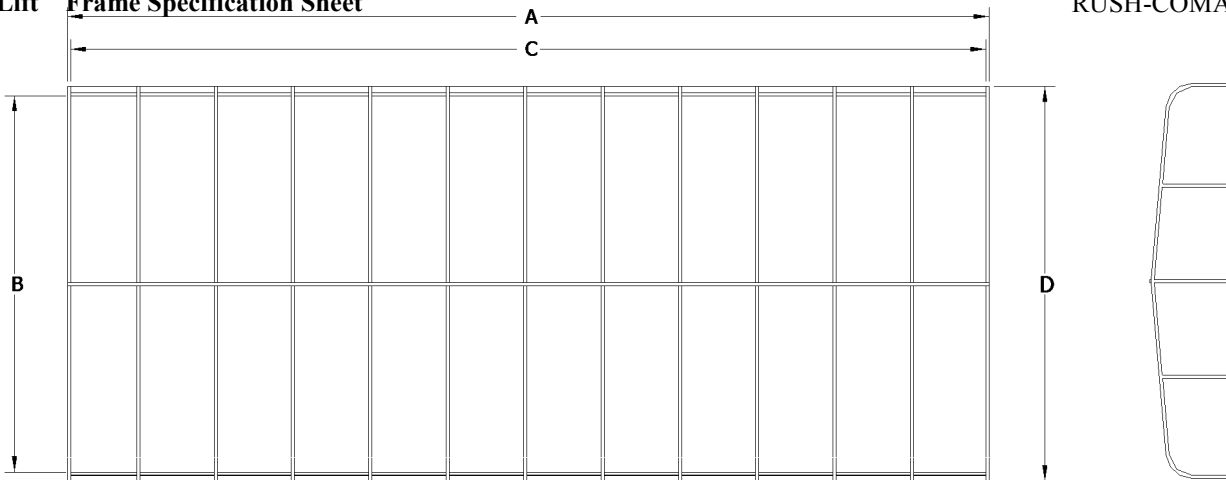


Fax 1.605.369.2112

Attn: _____

RUSH-CO.®
 1314 Walnut St.
 Springfield, SD 57062
 1.877.330.0512
 RUSH-COMARINE.COM

DuraLift® Frame Specification Sheet



***ALL MEASUREMENTS (±1")**

PART NO.	SIZE	OVERALL LENGTH "A"	INSIDE WIDTH "B"	SIDE RAIL LENGTH "C"	OUTSIDE WIDTH "D"
DL2000096	20' X 96"	20'	96"	19' 8"	100"
DL0600108	6' X 108"	6'	108"	5' 8"	112"
DL1200108	12' X 108"	12'	108"	11' 8"	112"
DL1206108	12' 6" X 108"	12' 6"	108"	12' 2"	112"
DL1300108	13' X 108"	13'	108"	12' 8"	112"
DL1400108	14' X 108"	14'	108"	13' 8"	112"
DL1800108	18' X 108"	18'	108"	17' 8"	112"
DL2000108	20' X 108"	20'	108"	19' 8"	112"
DL2200108	22' X 108"	22'	108"	21' 8"	112"
DL2400108	24' X 108"	24'	108"	23' 8"	112"
DL2600108	26' X 108"	26'	108"	25' 8"	112"
DL0602120	6' 2" X 120"	6' 2"	116"	5' 10"	120"
DL1200120	12' X 120"	12'	116"	11' 8"	120"
DL2000120	20' X 120"	20'	116"	19' 8"	120"
DL2200120	22' X 120"	22'	116"	21' 8"	120"
DL2400120	24' X 120"	24'	116"	23' 8"	120"
DL2600120	26' X 120"	26'	116"	25' 8"	120"
DL2800120	28' X 120"	28'	116"	27' 8"	120"
DL3000120	30' X 120"	30'	116"	29' 8"	120"
DL3600120	36' X 120"	36'	116"	35' 8"	120"
DL2000132	20' X 132"	20'	132"	19' 8"	138"
DL2400132	24' X 132"	24'	132"	23' 8"	138"
DL2600132	26' X 132"	26'	132"	25' 8"	138"
DL2800132	28' X 132"	28'	132"	27' 8"	138"
DL3000132	30' X 132"	30'	132"	29' 8"	138"
DL3200132	32' X 132"	32'	132"	31' 8"	138"

ATTACHMENT

Grommet strip with customer supplied zip ties.

STANDARD VALANCE: 8" VALANCE

OUTSIDE DIMENSIONS

- A _____ OVERALL LENGTH OF FRAME
- B _____ INSIDE WIDTH OF FRAME
- C _____ LENGTH OF SIDE RAILS (W/O ENDS)
- D _____ OUTSIDE WIDTH OF FRAME

CONTACT INFORMATION

Name _____
 Address _____
 City _____ State _____ Zip _____
 Phone _____ Fax _____
 Boat Lift Brand _____

NOTES

****If dimensions don't match above, fill out detail sheet on page 3****

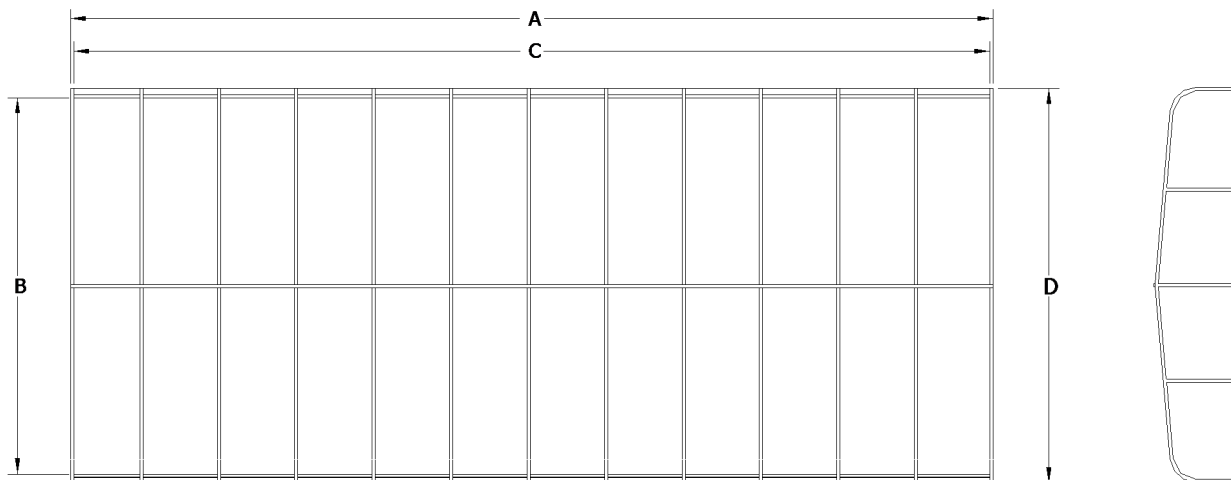
Fax 1.605.369.2112

Attn: _____



RUSH-CO.®
 1314 Walnut St.
 Springfield, SD 57062
 1.877.330.0512
 RUSH-COMARINE.COM

DuraLift Frame Specification Sheet



***ALL MEASUREMENTS (±1")**

PART NO.	SIZE	OVERALL LENGTH "A"	INSIDE WIDTH "B"	SIDE RAIL LENGTH "C"	OUTSIDE WIDTH "D"
DL3400132	34' X 132"	34'	132"	33' 8"	138"
DL3600132	36' X 132"	36'	132"	35' 8"	138"
DL1000144	10' X 144"	10'	140"	9' 8"	144"
DL1800156	18' X 156"	18'	152"	17' 8"	156"
DL3200156	32' X 156"	32'	152"	31' 8"	156"
DL3400156	34' X 156"	34'	152"	33' 8"	156"
DL3500156	35' X 156"	35'	152"	34' 8"	156"
DL3800156	38' X 156"	38'	152"	37' 8"	156"
DL4000156	40' X 156"	40'	152"	39' 8"	156"

ATTACHMENT

Grommet strip with customer supplied zip ties.

OUTSIDE DIMENSIONS

- A _____ OVERALL LENGTH OF FRAME
- B _____ INSIDE WIDTH OF FRAME
- C _____ LENGTH OF SIDE RAILS (W/O ENDS)
- D _____ OUTSIDE WIDTH OF FRAME

****If dimensions don't match above, fill out detail sheet on page 3****

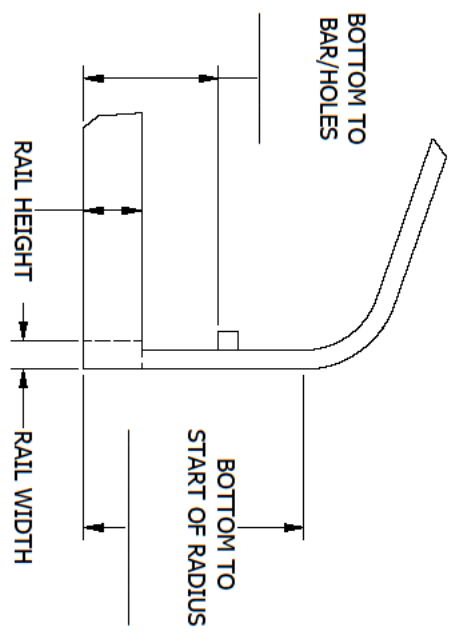
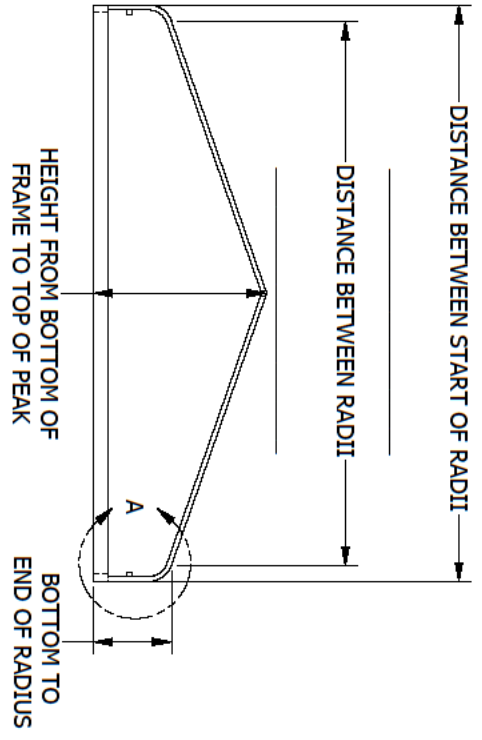
CONTACT INFORMATION

Name _____
 Address _____
 City _____ State _____ Zip _____
 Phone _____ Fax _____
 Boat Lift Brand _____

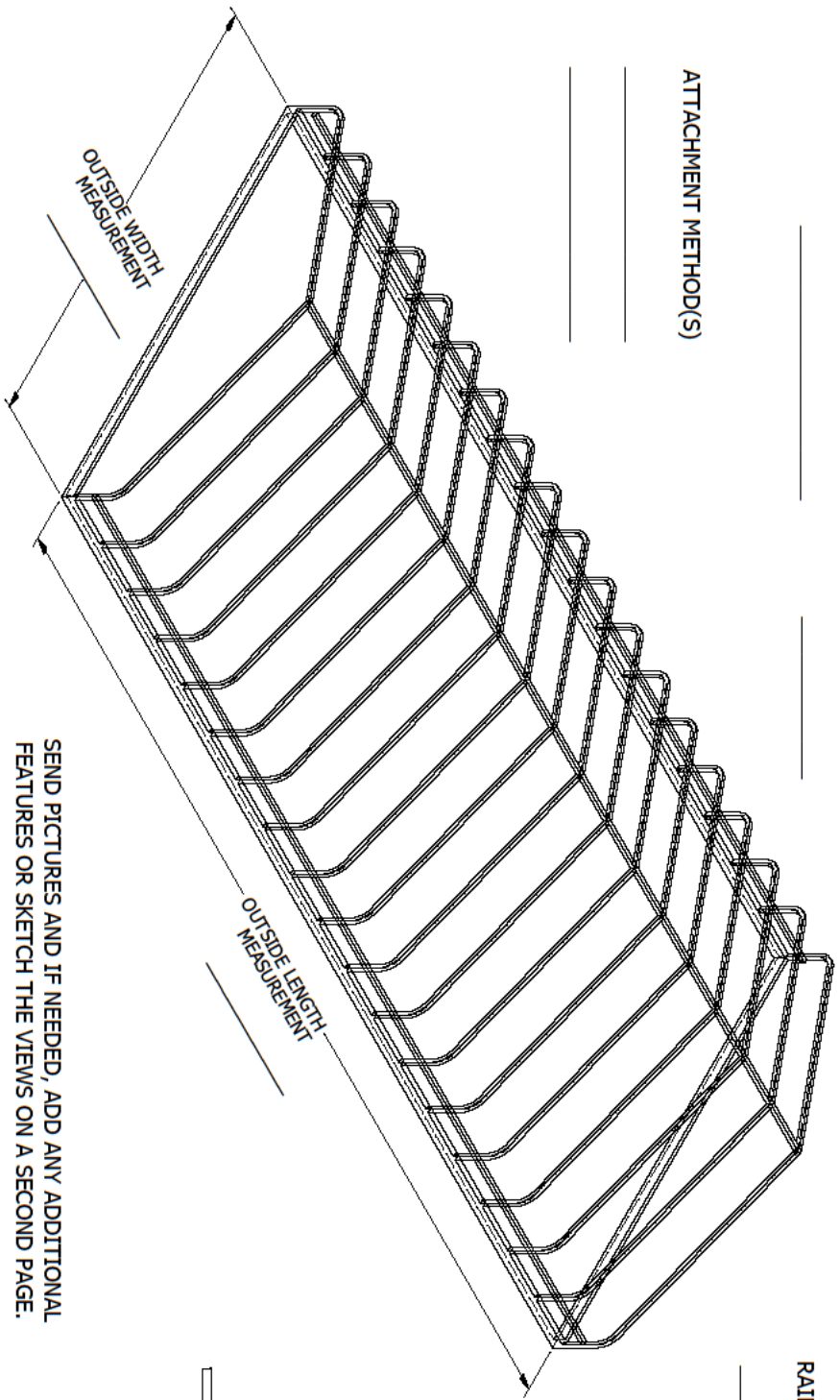
NOTES

REV	ECN	DATE	DESCRIPTION	ISSUER
A	EC-00469	10/4/2016	RELEASE	RML

REVISIONS



ATTACHMENT METHOD(S)



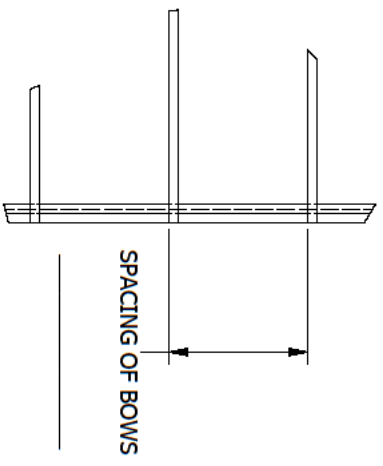
SEND PICTURES AND IF NEEDED, ADD ANY ADDITIONAL FEATURES OR SKETCH THE VIEWS ON A SECOND PAGE.

TOTAL NUMBER OF BOWS



DETAIL A

DETAIL B



TOLERANCES - UNLESS NOTED

DECIMAL F.

FRACTION F.

ANGLE F.

1314 Walnut St. - Springfield, SD 57062

605-369-6000

NOTICE: THIS ILLUSTRATION IS THE PROPERTY OF RUSH-CO. AND MUST NOT BE USED IN ANY WAY DETRIMENTAL TO RUSH-CO'S INTERESTS.

TITLE: PEAKED FLUSHED END FRAME DETAIL SHEET

DRAWN BY: RML

CHECKED BY: CWS

DATE: 10/4/2016

DATE: 10/10/2016

SCALE: 1/1

SHEET: 1/1

PART NO.: F-133

SIZE: C