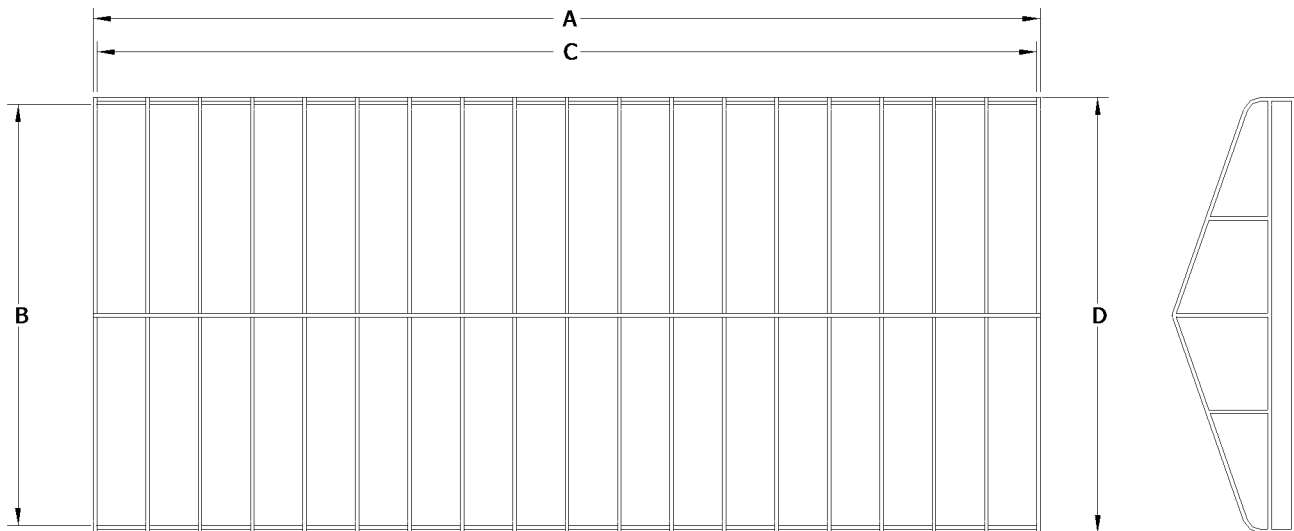


Attn: _____



RUSH-CO.®
 1314 Walnut St.
 Springfield, SD 57062
 1.877.330.0512
 RUSH-COMARINE.COM

**Feighner® Frame
 Specification Sheet**



***ALL MEASUREMENTS (±1")**

PART NO.	SIZE	OVERALL LENGTH "A"	INSIDE WIDTH "B"	SIDE RAIL LENGTH "C"	OUTSIDE WIDTH "D"
FN2400120	24' X 120"	24'	124"	25' 10"	126"
FN2600120	26' X 120"	26'	124"	28' 10"	126"
FN2800120	28' X 120"	28'	124"	28' 10"	126"
FN3000120	30' X 120"	28'	124"	28' 10"	126"
FN3200120	32' X 120"	28'	124"	28' 10"	126"

ATTACHMENT

Continuous bungee is strung through d-rings and hooked to aluminum flat bar via s-hooks.

STANDARD VALANCE: 12" VALANCE

****If dimensions don't match above,
 fill out detail sheet on page 2****

OUTSIDE DIMENSIONS

- A _____ OVERALL LENGTH OF FRAME
- B _____ INSIDE WIDTH OF FRAME
- C _____ LENGTH OF SIDE RAILS
(W/O ENDS)
- D _____ OUTSIDE WIDTH OF FRAME

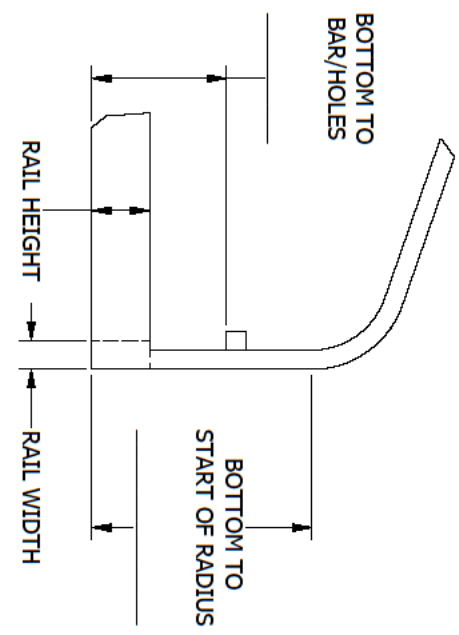
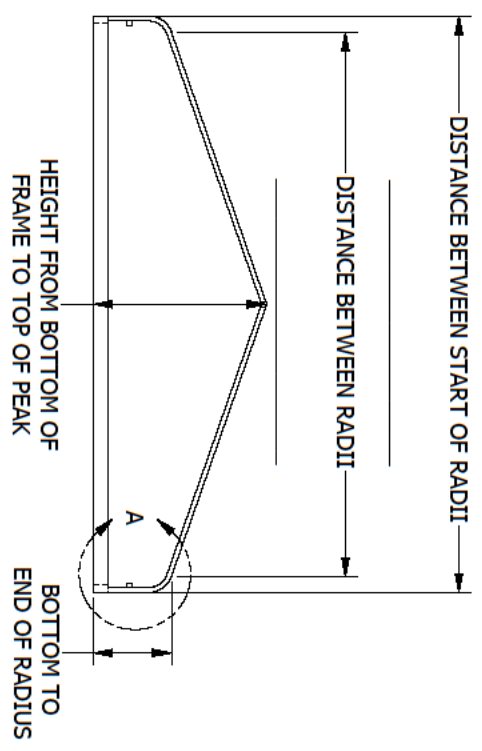
CONTACT INFORMATION

- Name _____
- Address _____
- City _____ State _____ Zip _____
- Phone _____ Fax _____
- Boat Lift Brand _____

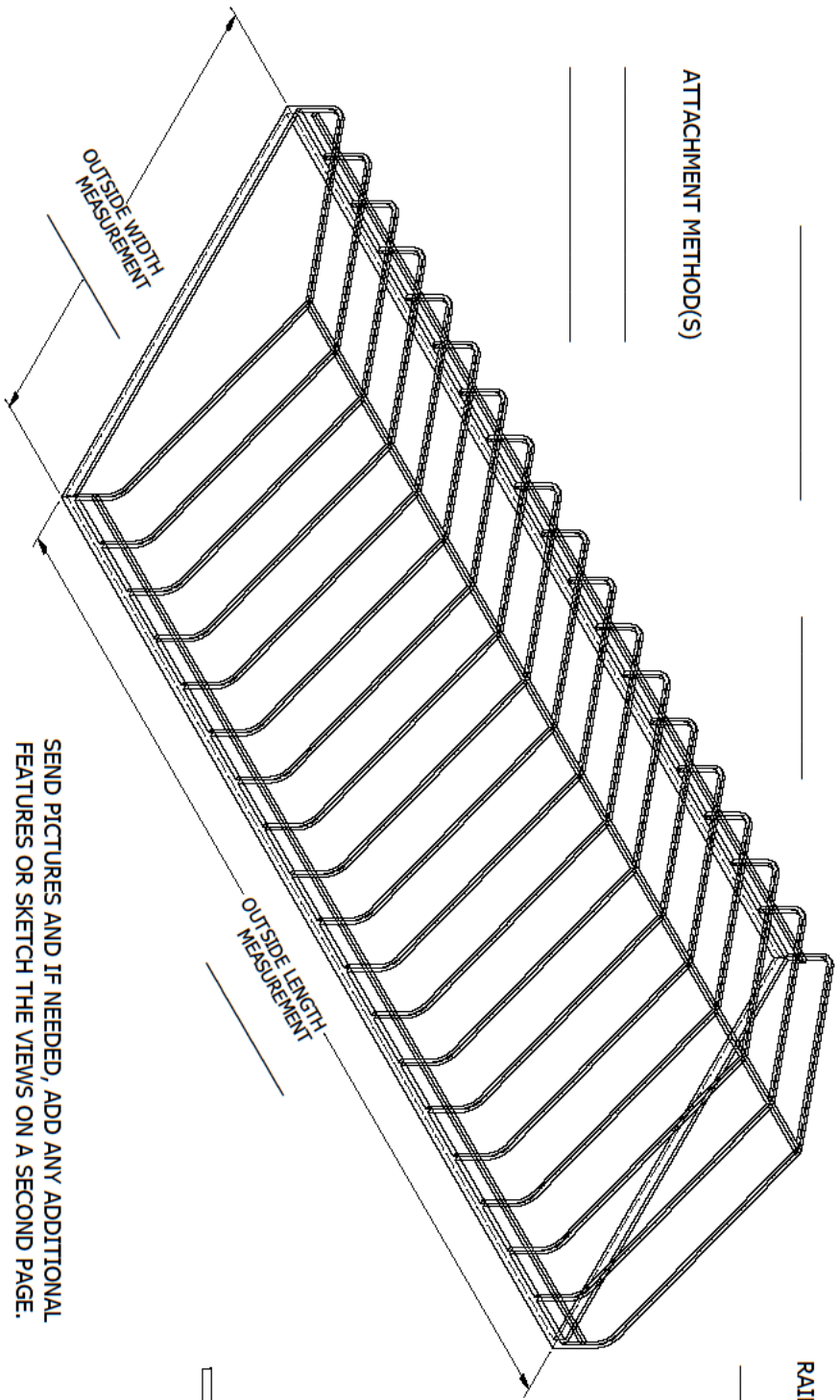
NOTES

REV	ECN	DATE	DESCRIPTION	ISSUER
A	EC-00469	10/4/2016	RELEASE	RML

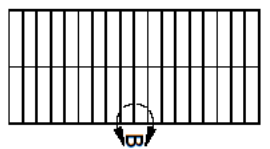
REVISIONS



ATTACHMENT METHOD(S)

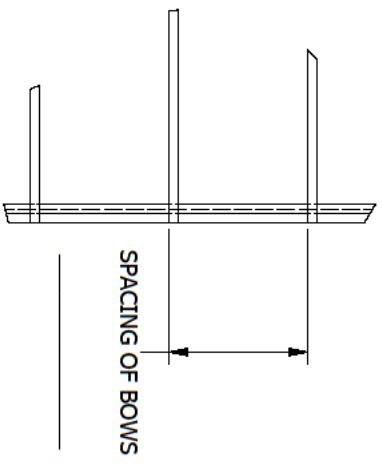


TOTAL NUMBER OF BOWS



SEND PICTURES AND IF NEEDED, ADD ANY ADDITIONAL FEATURES OR SKETCH THE VIEWS ON A SECOND PAGE.

DETAIL B



TOLERANCES - UNLESS NOTED		TITLE: PEAKED FLUSHED END FRAME DETAIL SHEET		SIZE: C
DECIMAL F.	FRACTION F.	DATE: 10/4/2016	SHEET: 1	PART NO: F-133
ANGLE F.		DATE: 10/10/2016	1	
<p>NOTICE THIS ILLUSTRATION IS THE PROPERTY OF RUSH-CO. AND MUST NOT BE USED IN ANY WAY DETRIMENTAL TO RUSH-CO'S INTERESTS.</p>		SCALE: 1		
<p>1314 Walnut St. - Springfield, SD 57062 605-369-6000</p>		DRFT: RML		
<p>RUSH-CO</p>		ENGR: CWG		