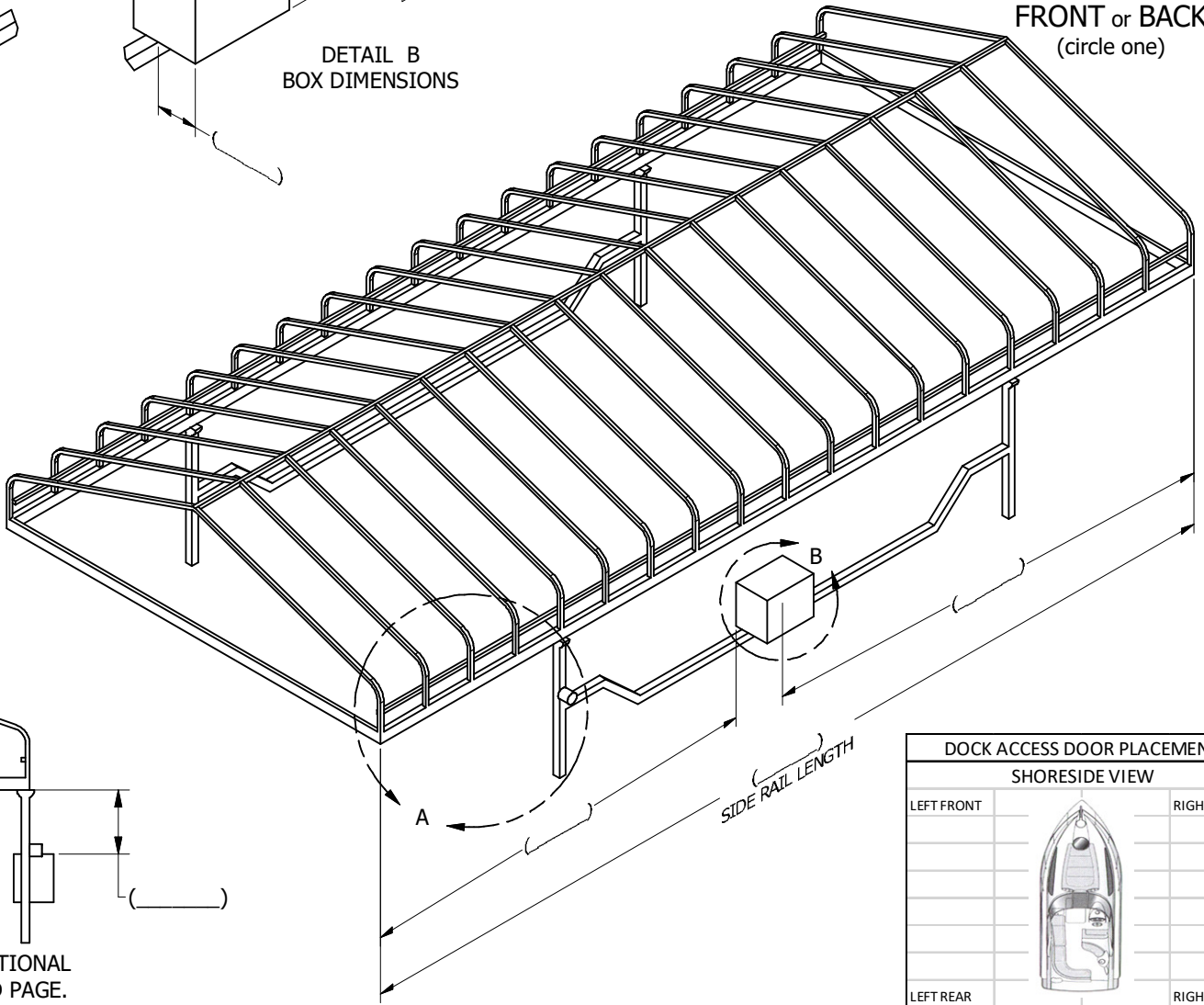
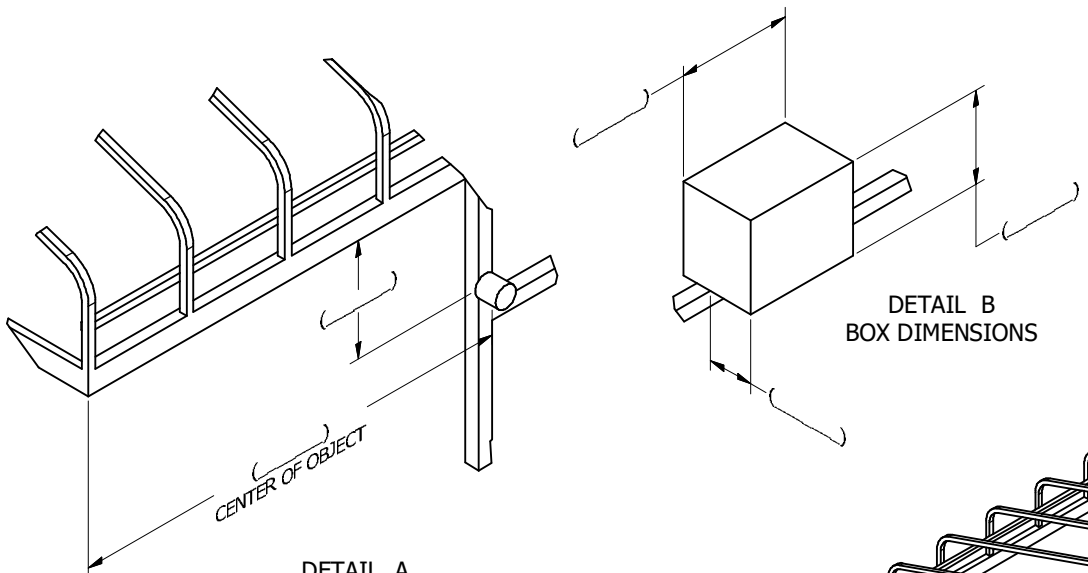
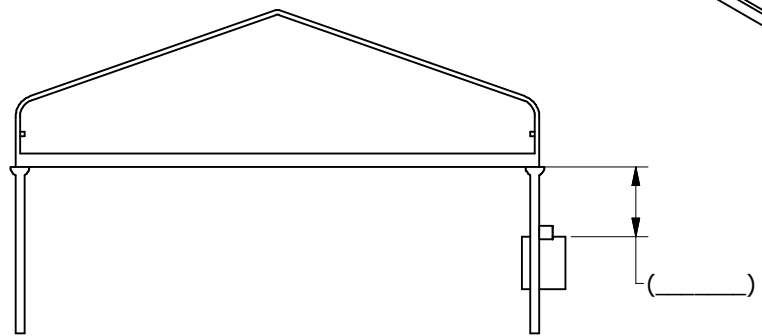


REVISIONS				
REV	ECN	DATE	DESCRIPTION	ISSUER
2	EC-00	5/23/2018		RML




BRAND _____
 LENGTH _____ FEET
 WIDTH _____ INCHES



SEND PICTURES AND IF NEEDED, ADD ANY ADDITIONAL FEATURES OR SKETCH THE VIEWS ON A SECOND PAGE. (MAY USE A SECOND OR THIRD FRAME DETAIL SHEET FOR ADDITIONAL FEATURES)

FILL DIMENSIONS IN: (_____)

DOCK ACCESS DOOR PLACEMENT			
SHORESIDE VIEW			
LEFT FRONT		RIGHT FRONT	
LEFT REAR		RIGHT REAR	
LAKE VIEW			
MEASUREMENT FROM DESIGNATED CORNER			

TOLERANCES - UNLESS NOTED DECIMAL ± FRACTION ± ANGLE ±	 1314 Walnut St. - Springfield, SD 57062 605-369-6000	TITLE: FLAT END CURTAIN FRAME DETAIL		SHEET 1 / 1	PART NO: F-161
		DRFT: robert.lambert	DATE 5/23/2018		
NOTICE <small>THIS ILLUSTRATION IS THE PROPERTY OF RUSH-CO, AND MUST NOT BE USED IN ANY WAY DETRIMENTAL TO RUSH-CO'S INTERESTS.</small>		ENGR: DATE			