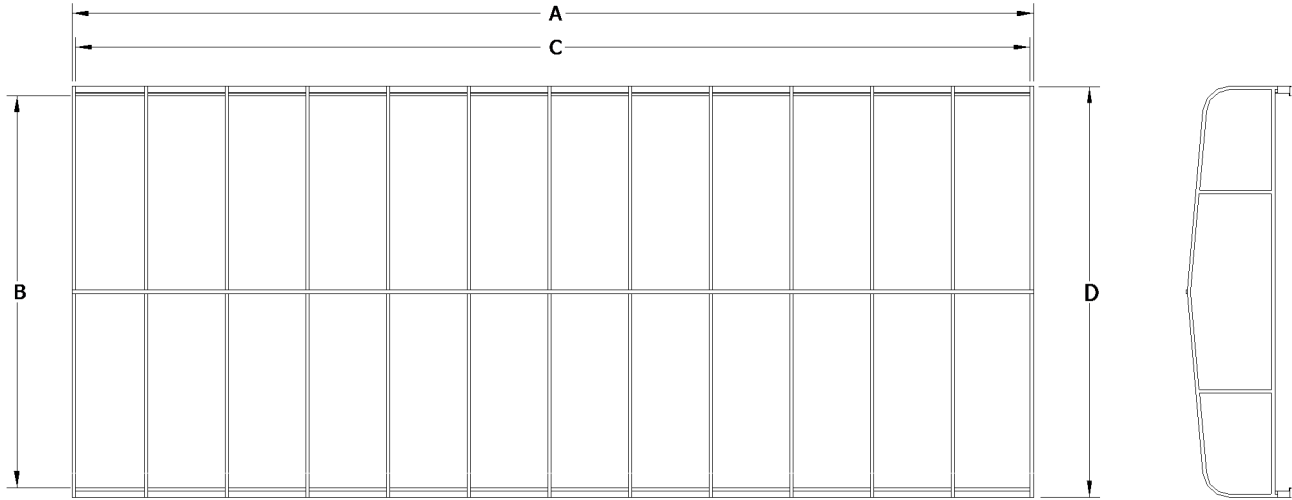


Attn: \_\_\_\_\_



**Floe Frame Specification Sheet**



**\*ALL MEASUREMENTS (±1")**

PART NO.	SIZE	OVERALL LENGTH "A"	INSIDE WIDTH "B"	SIDE RAIL LENGTH "C"	OUTSIDE WIDTH "D"
FL2000096	20' X 96"	19' 10"	96 1/2"	19' 10"	102 1/2"
FL2200096	22' X 96"	21' 10"	96 1/2"	21' 10"	102 1/2"
FL2400096	24' X 96"	23' 10"	96 1/2"	23' 10"	102 1/2"
FL2600096	26' X 96"	25' 10"	96 1/2"	25' 10"	102 1/2"
FL2000108	20' X 108"	19' 10"	108"	19' 10"	113 3/4"
FL2200108	22' X 108"	21' 10"	108"	21' 10"	113 3/4"
FL2400108	24' X 108"	23' 10"	108"	23' 10"	113 3/4"
FL2600108	26' X 108"	25' 10"	108"	25' 10"	113 3/4"
FL1200116	12' X 116"	11' 10"	116 1/2"	11' 10"	122 1/4"
FL1400116	14' X 116"	13' 10"	116 1/2"	13' 10"	122 1/4"
FL2000116	20' X 116"	19' 10"	116 1/2"	19' 10"	122 1/4"
FL2200116	22' X 116"	21' 10"	116 1/2"	21' 10"	122 1/4"
FL2400116	24' X 116"	23' 10"	116 1/2"	23' 10"	122 1/4"
FL2600116	26' X 116"	25' 10"	116 1/2"	25' 10"	122 1/4"
FL2800116	28' X 116"	27' 10"	116 1/2"	27' 10"	122 1/4"
FL3000116	30' X 116"	29' 10"	116 1/2"	29' 10"	122 1/4"
FL3200116	32' X 116"	31' 10"	116 1/2"	31' 10"	122 1/4"
FL2200120	22' X 120"	21' 10"	120 1/2"	21' 10"	126 1/4"
FL2400120	24' X 120"	23' 10"	120 1/2"	23' 10"	126 1/4"
FL2600120	26' X 120"	25' 10"	120 1/2"	25' 10"	126 1/4"
FL2800120	28' X 120"	27' 10"	120 1/2"	27' 10"	126 1/4"
FL3000120	30' X 120"	29' 10"	120 1/2"	29' 10"	126 1/4"
FL3200120	32' X 120"	31' 10"	120 1/2"	31' 10"	126 1/4"
FL3400120	34' X 120"	33' 10"	120 1/2"	33' 10"	126 1/4"

**ATTACHMENT**

Ball bungees wrap around each bow on the sides

Velcro straps wrap around the bottom of the end frame

STANDARD VALANCE: 11" VALANCE

**OUTSIDE DIMENSIONS**

- A \_\_\_\_\_ OVERALL LENGTH OF FRAME
- B \_\_\_\_\_ INSIDE WIDTH OF FRAME
- C \_\_\_\_\_ LENGTH OF SIDE RAILS (W/O ENDS)
- D \_\_\_\_\_ OUTSIDE WIDTH OF FRAME

**CONTACT INFORMATION**

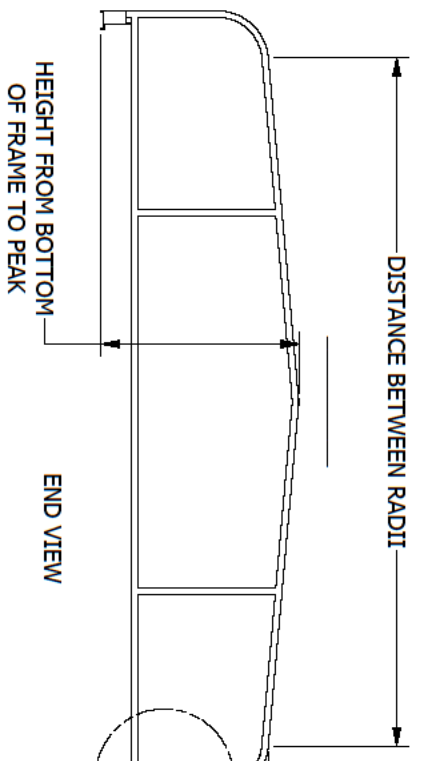
Name \_\_\_\_\_  
 Address \_\_\_\_\_  
 City \_\_\_\_\_ State \_\_\_\_\_ Zip \_\_\_\_\_  
 Phone \_\_\_\_\_ Fax \_\_\_\_\_

**NOTES**

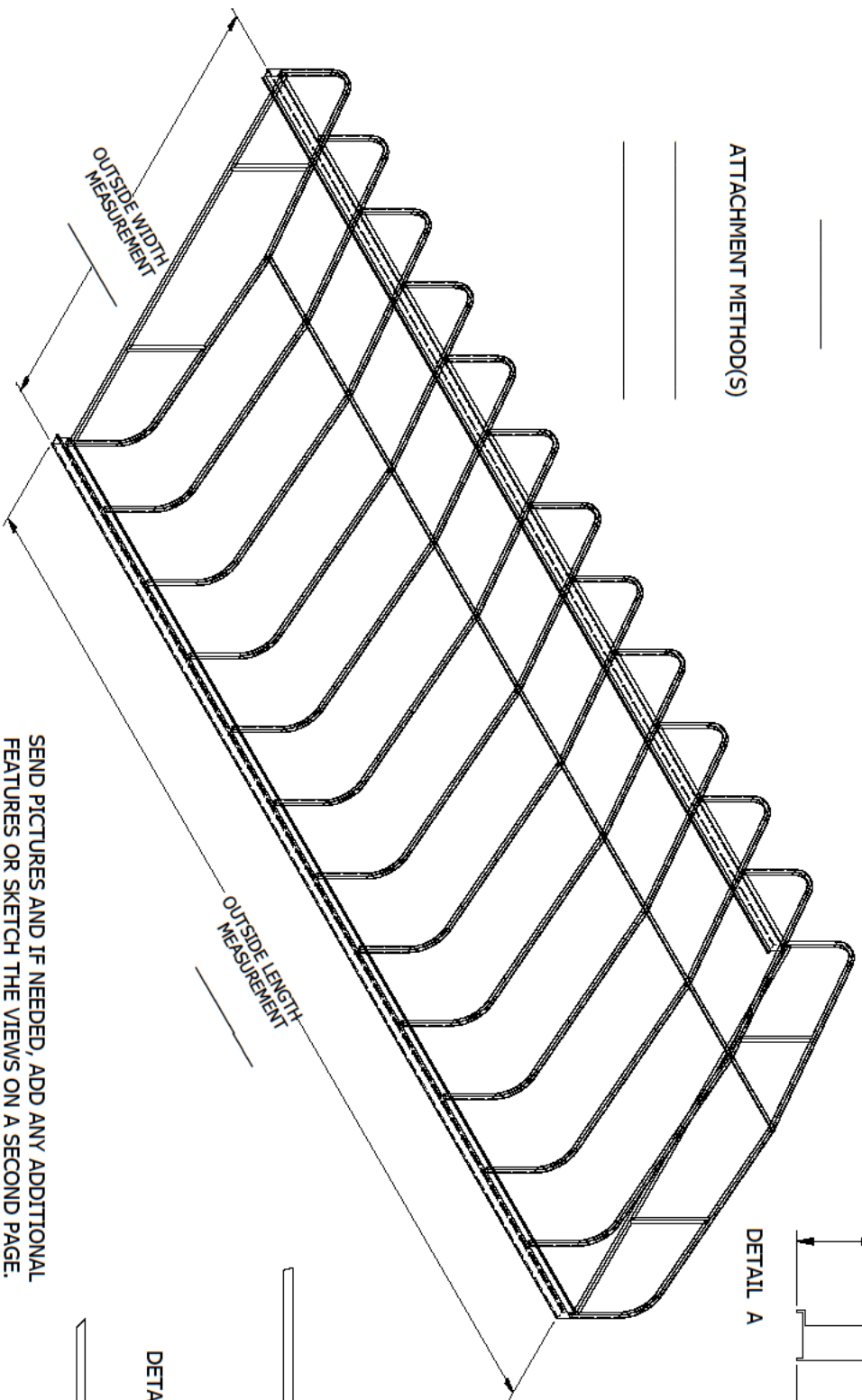
\_\_\_\_\_  
 \_\_\_\_\_  
 \_\_\_\_\_  
 \_\_\_\_\_  
 \_\_\_\_\_  
 \_\_\_\_\_

**\*\*If dimensions don't match above, fill out detail sheet on page 2\*\***

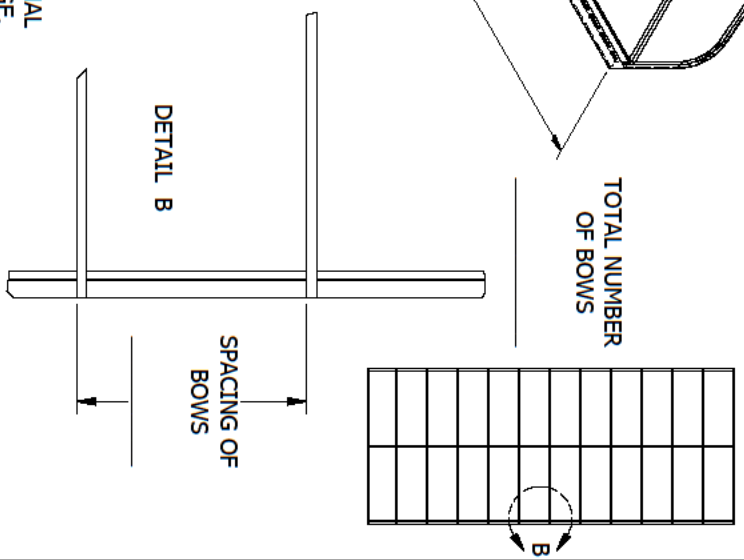
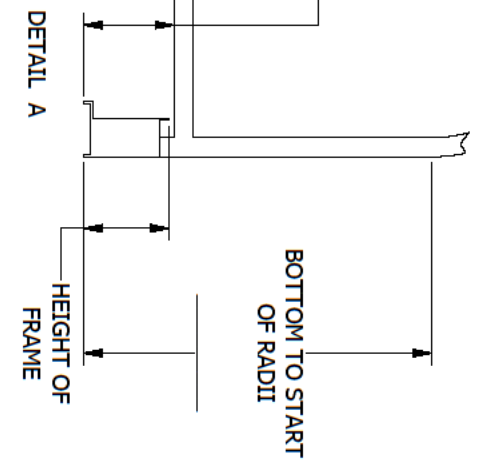
REVISIONS				ISSUER
REV	ECN	DATE	DESCRIPTION	RML
A	EC-00469	10/3/2016	RELEASE	RML



ATTACHMENT METHOD(S)



SEND PICTURES AND IF NEEDED, ADD ANY ADDITIONAL FEATURES OR SKETCH THE VIEWS ON A SECOND PAGE.



**TOLERANCES - UNLESS NOTED**

DECIMAL F

FRACTION F

ANGLE F

**NOTICE** THIS ILLUSTRATION IS THE PROPERTY OF RUSH-CO. AND MUST NOT BE USED IN ANY WAY DETRIMENTAL TO RUSH-CO'S INTERESTS.

**RUSH-CO**

1314 Walnut St. - Springfield, SD 57062

605-369-6000

DRAFT: RML DATE: 6/6/2008

ENGR: CWS DATE: 10/10/2016

SCALE: 1/1

SHEET: 1/1

PART NO: F-141

SIZE: C

**TITLE: PEAKED RAISED END FRAME DETAIL SHEET**