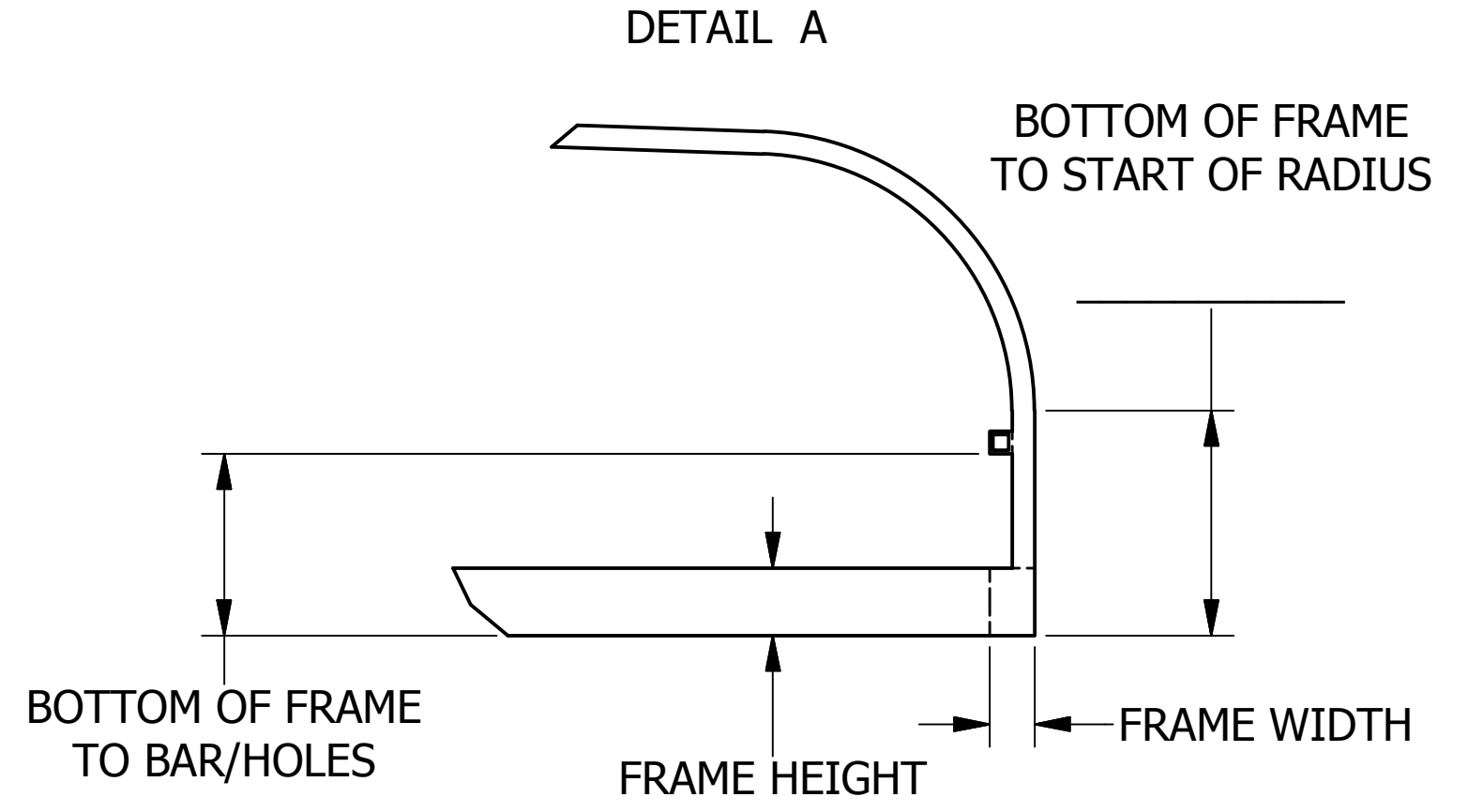
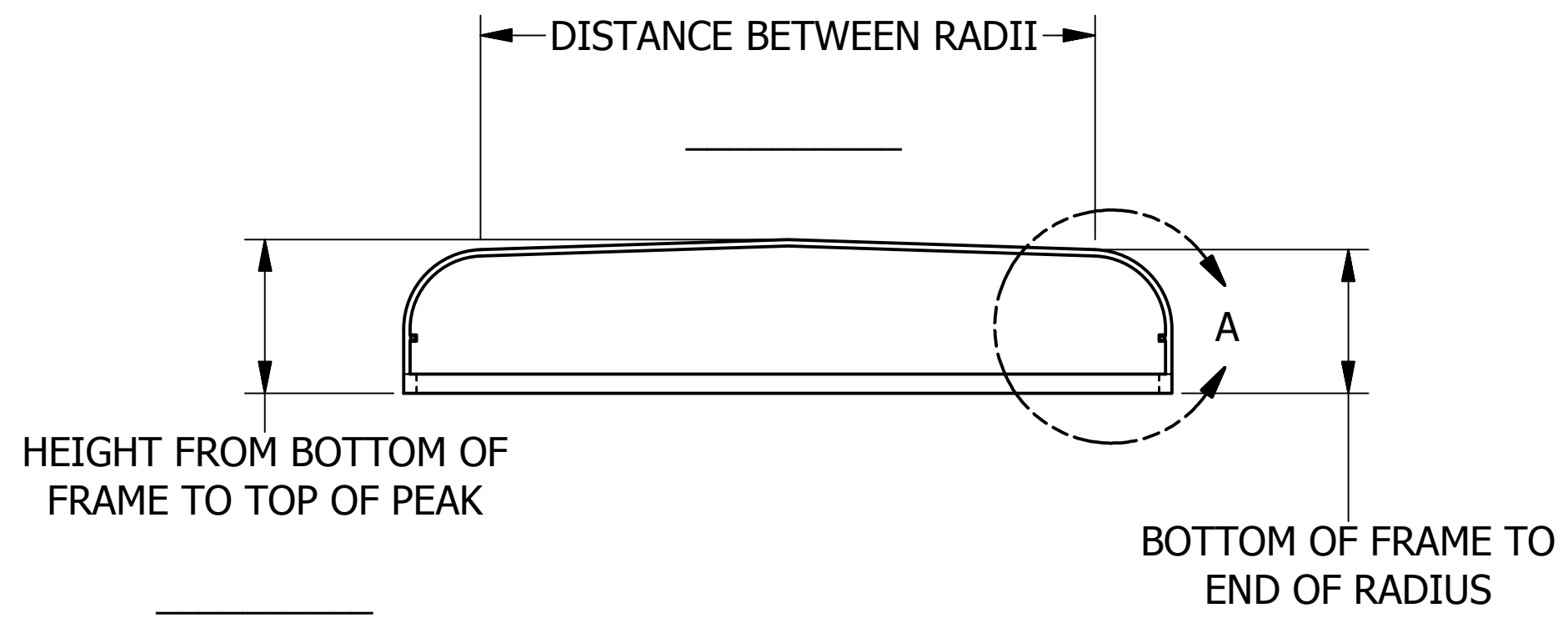
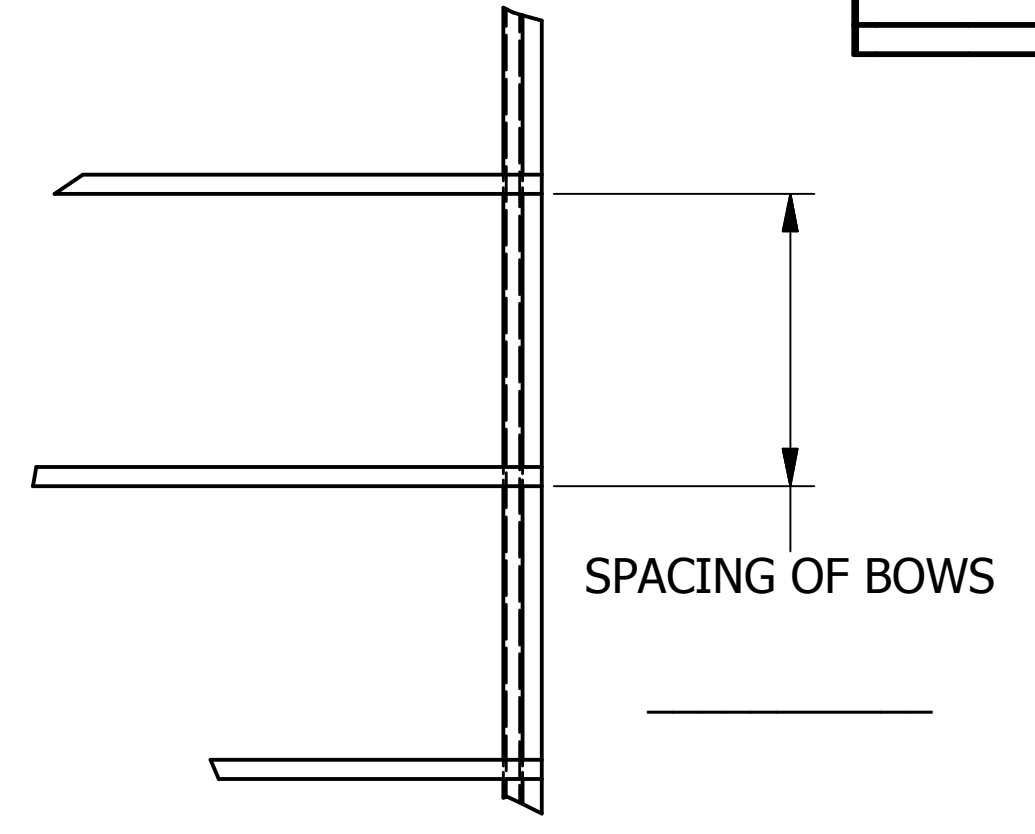
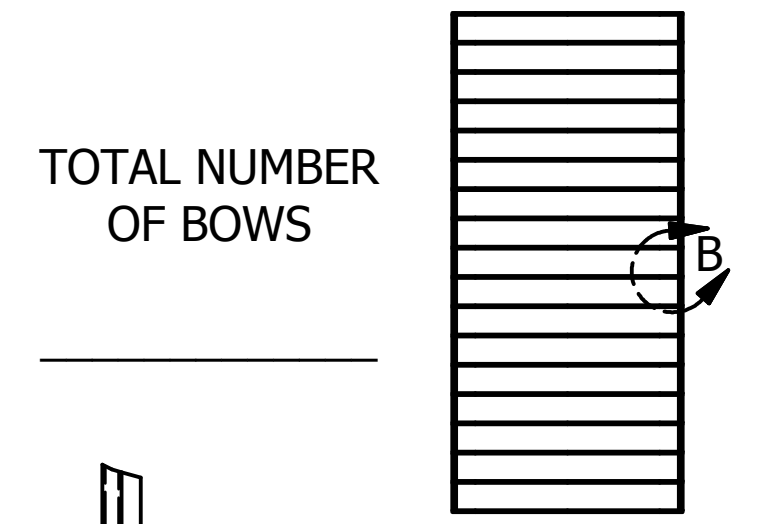
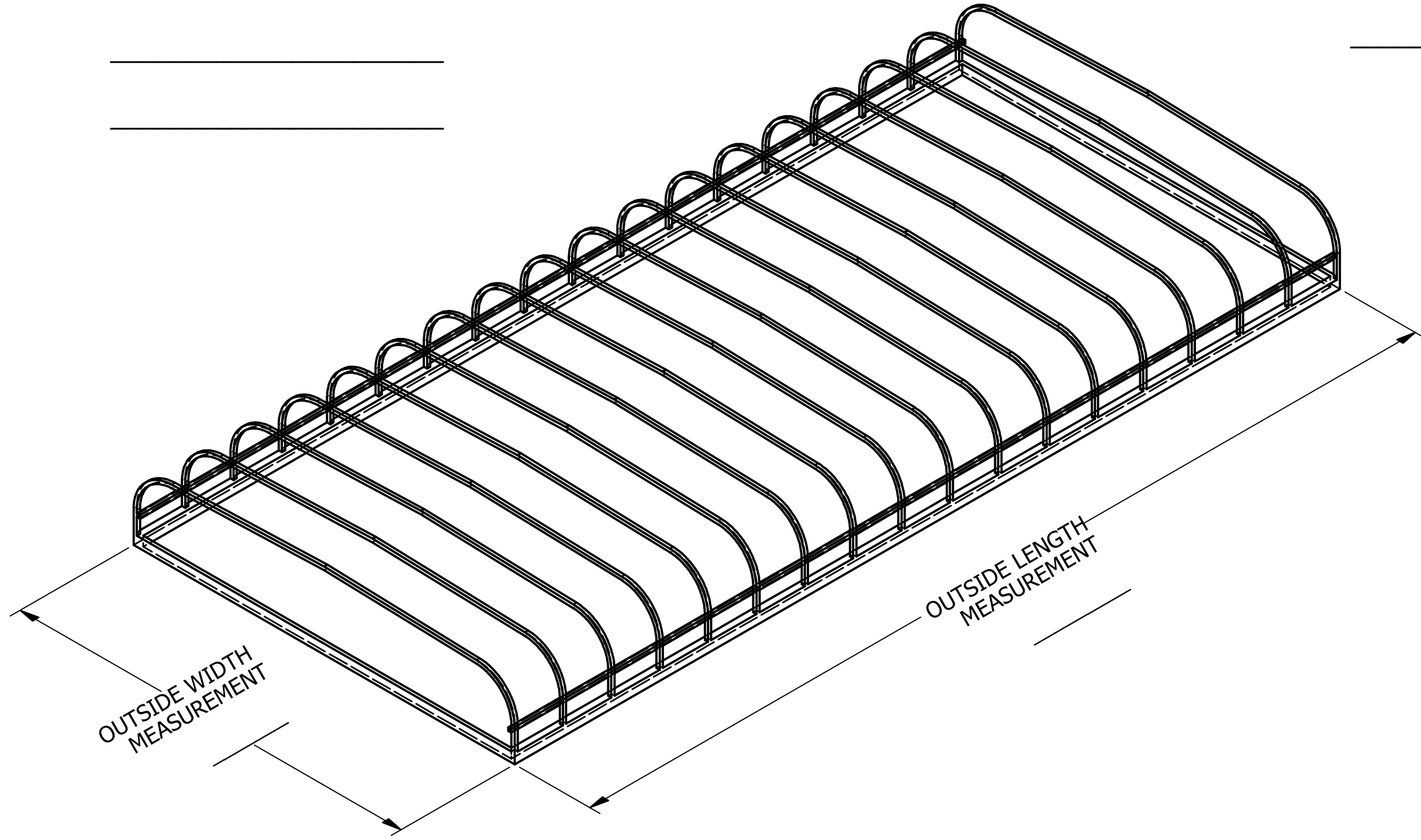


REVISIONS				
REV	ECN	DATE	DESCRIPTION	ISSUER
A		4/10/2014		



ATTACHMENT METHOD(S)



TOLERANCES - UNLESS NOTED
 DECIMAL ±
 FRACTION ±
 ANGLE ±

NOTICE THIS ILLUSTRATION IS THE PROPERTY OF RUSH-CO, AND MUST NOT BE USED IN ANY WAY DETRIMENTAL TO RUSH-CO'S INTERESTS.



1314 Walnut St. - Springfield, SD 57062 605-369-6000

TITLE: GENERIC FLAT FRONT FRAME DETAIL			SIZE C
DRFT: TJS	DATE 4/10/2014	SCALE	SHEET 1
ENGR:	DATE		PART NO: FRAME DETAIL