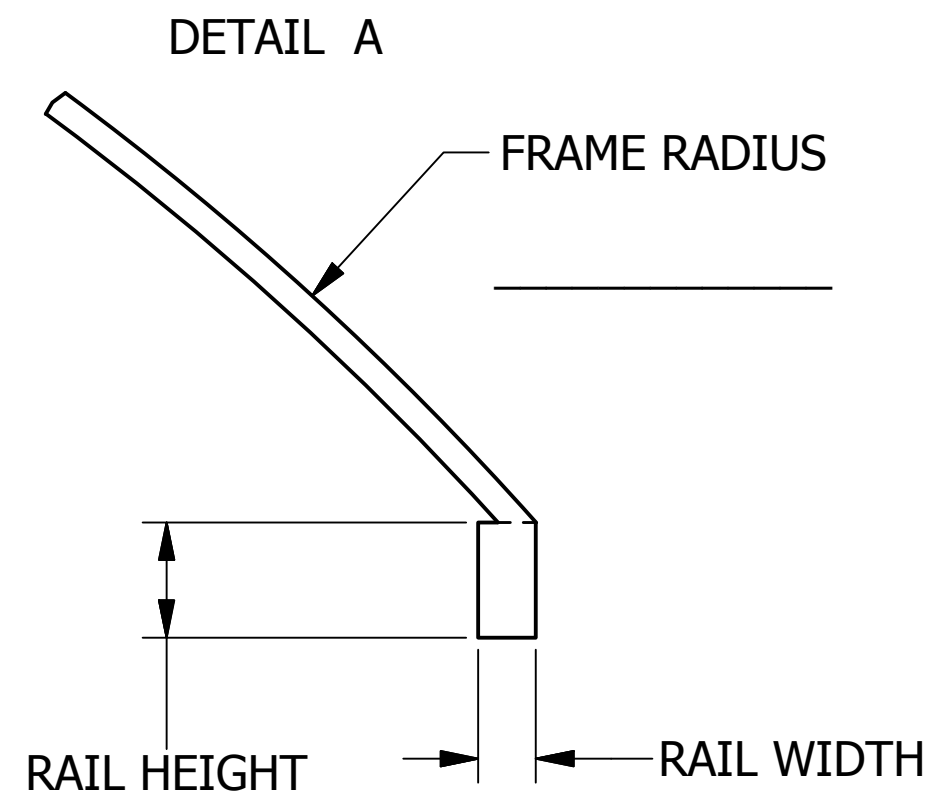
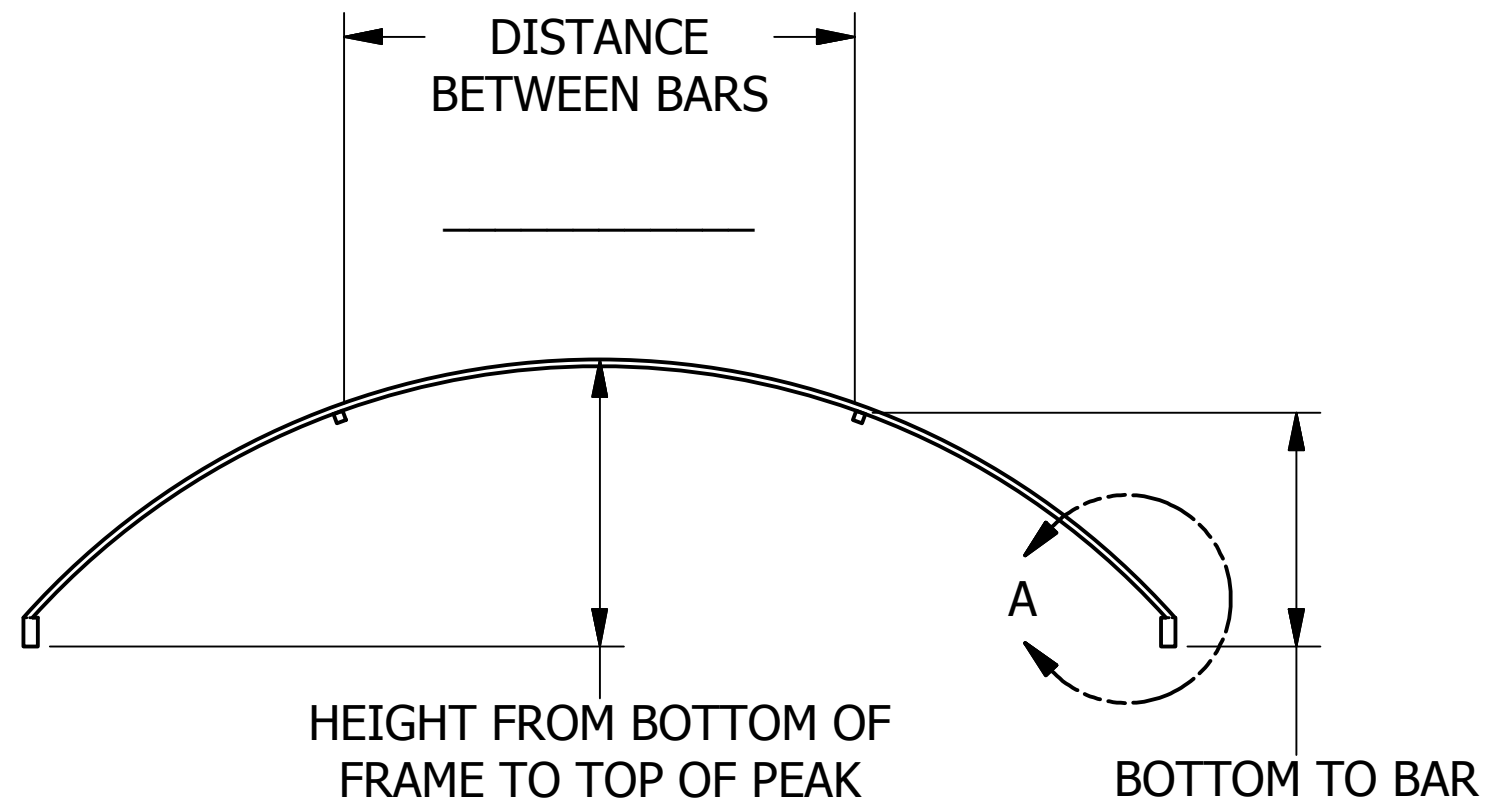
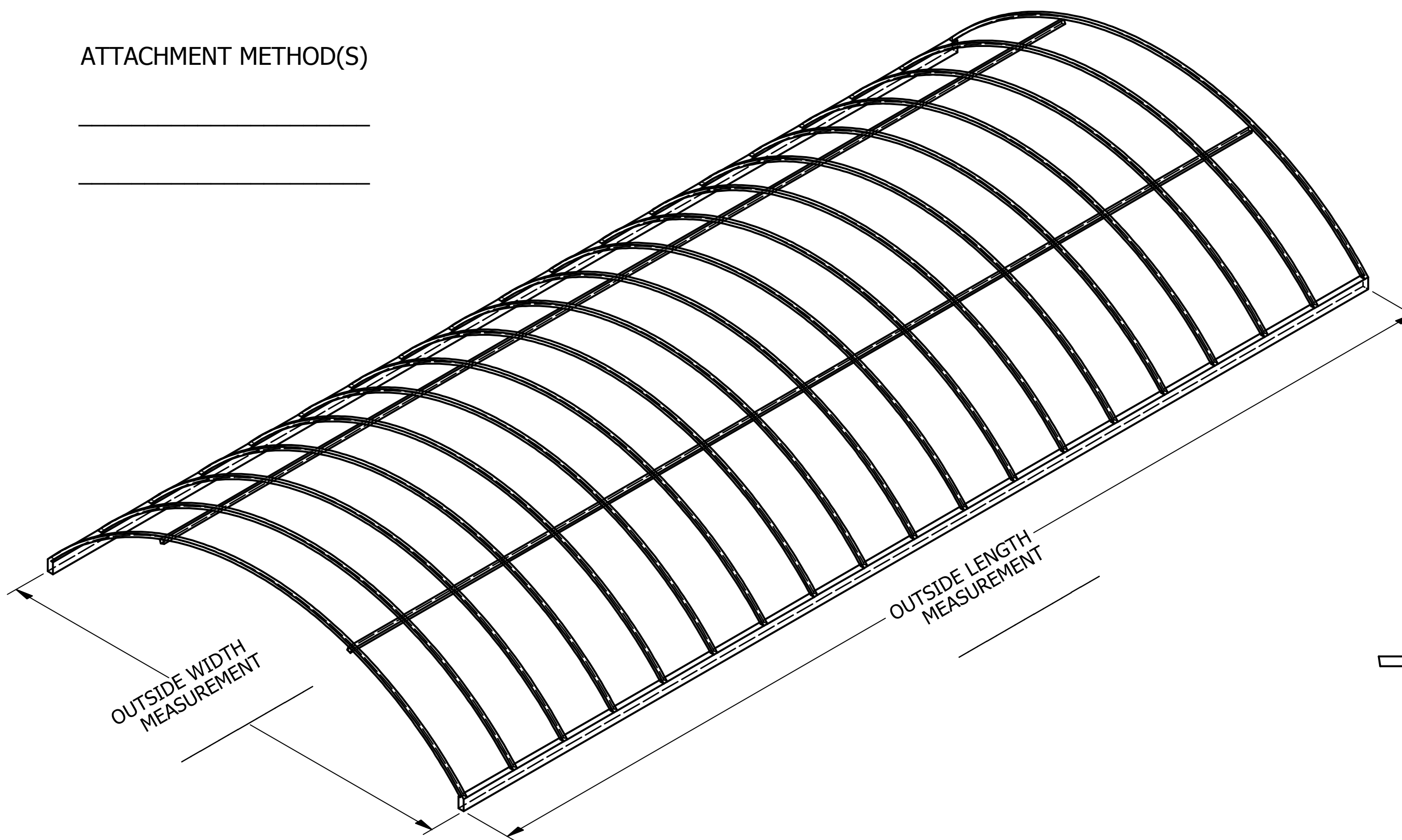
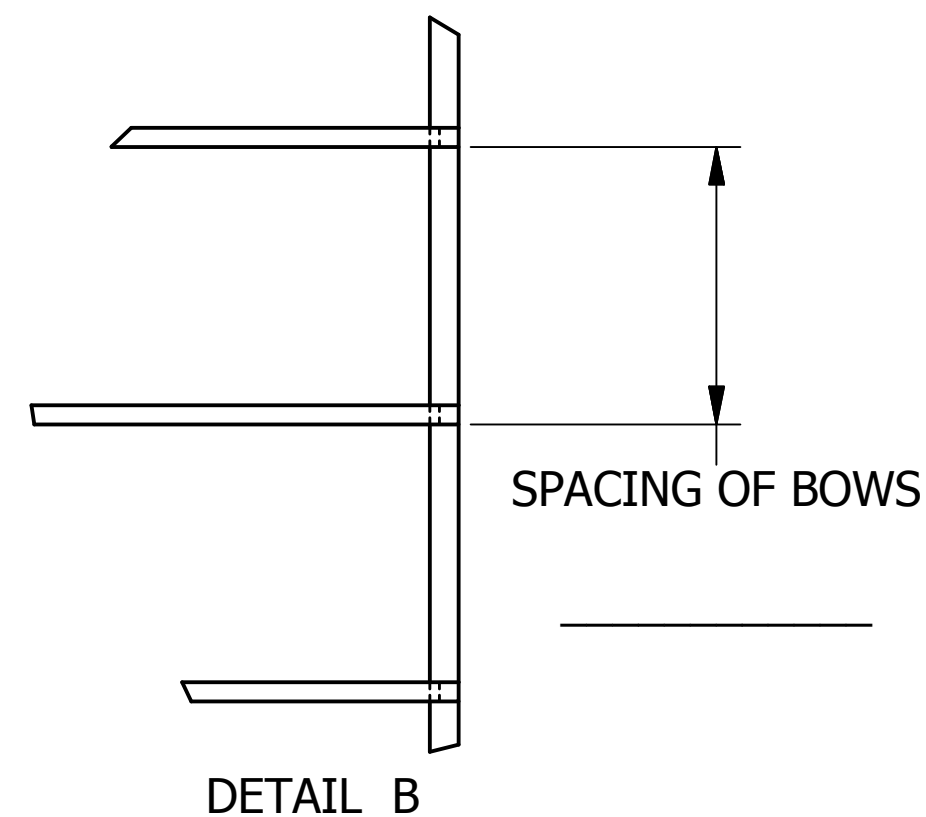
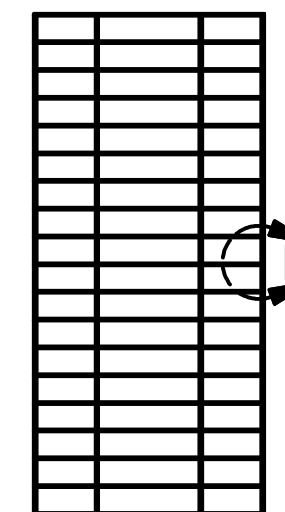


REVISIONS				
REV	ECN	DATE	DESCRIPTION	ISSUER
B		2/20/2013		



ATTACHMENT METHOD(S)

TOTAL NUMBER OF BOWS



TOLERANCES - UNLESS NOTED

DECIMAL ±

FRACTION ±

ANGLE ±

NOTICE



1314 Walnut St. - Springfield, SD 57062 605-369-6000

THIS ILLUSTRATION IS THE PROPERTY OF RUSH-CO, AND MUST NOT BE USED IN ANY WAY DETRIMENTAL TO RUSH-CO'S INTERESTS.

TITLE:

GENERIC HOOP FRAME DETAIL

SIZE

C

DRFT:

DATE

SCALE

SHEET

1

PART NO:

ENGR:

DATE

1

FRAME DETAIL