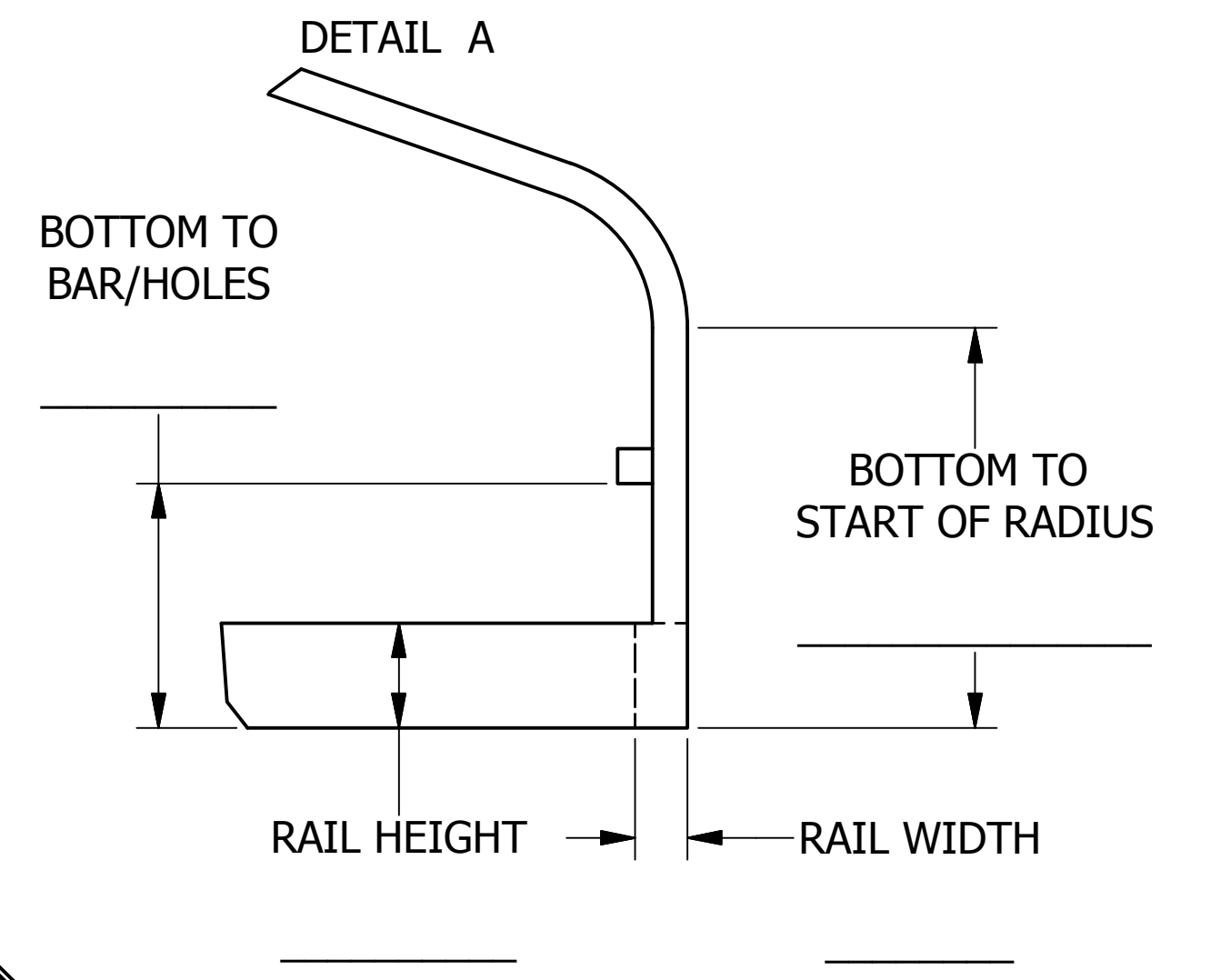
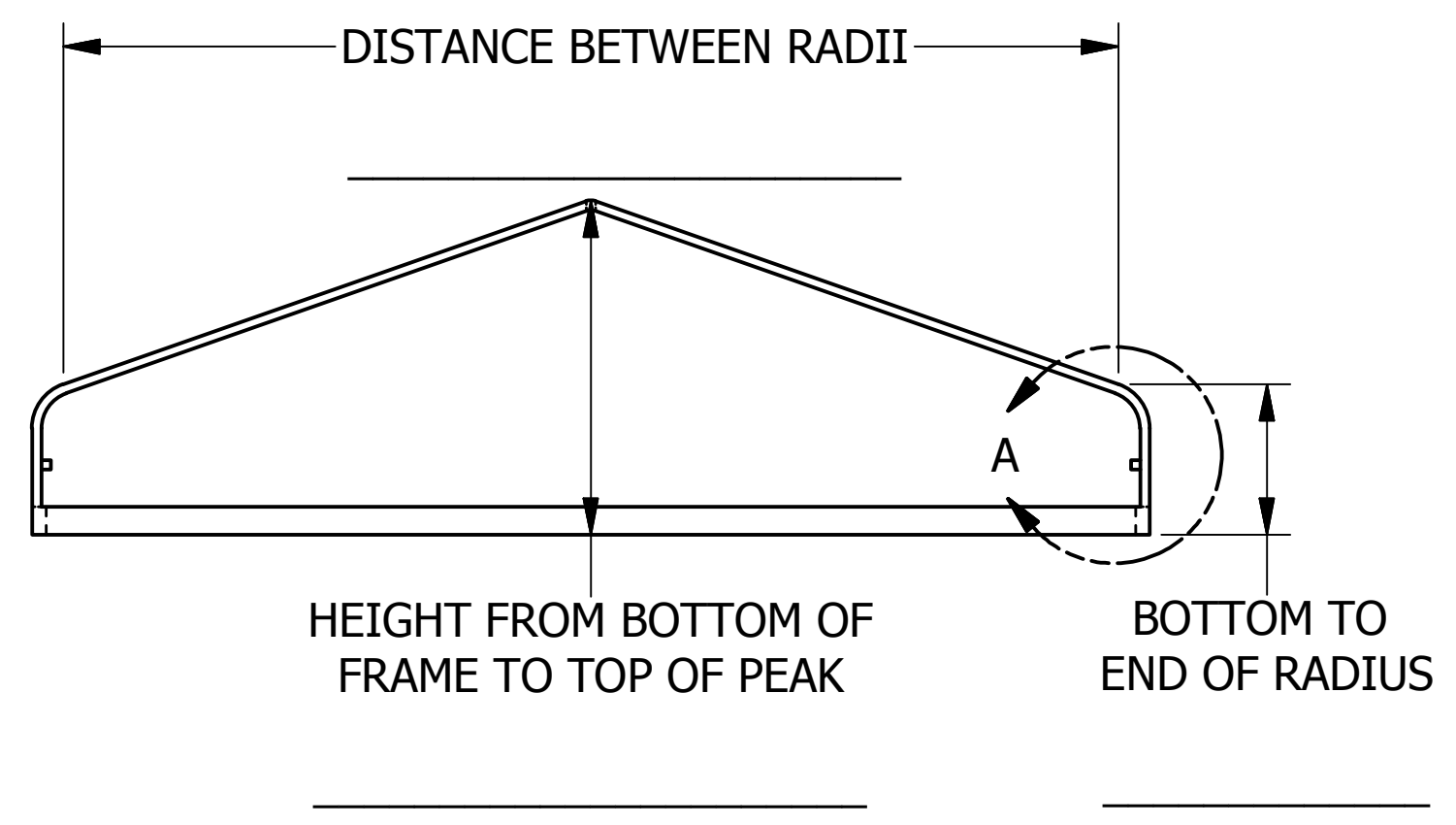
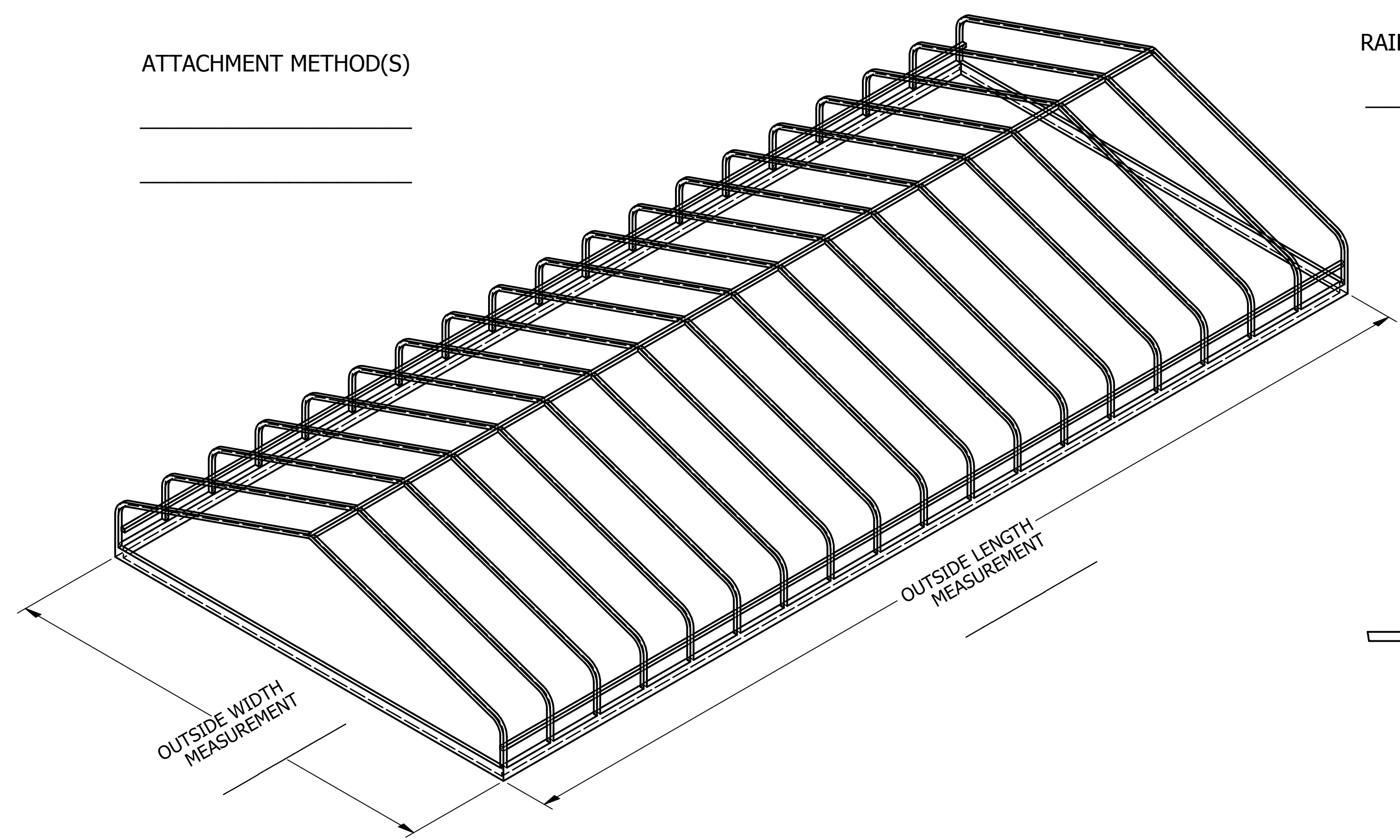
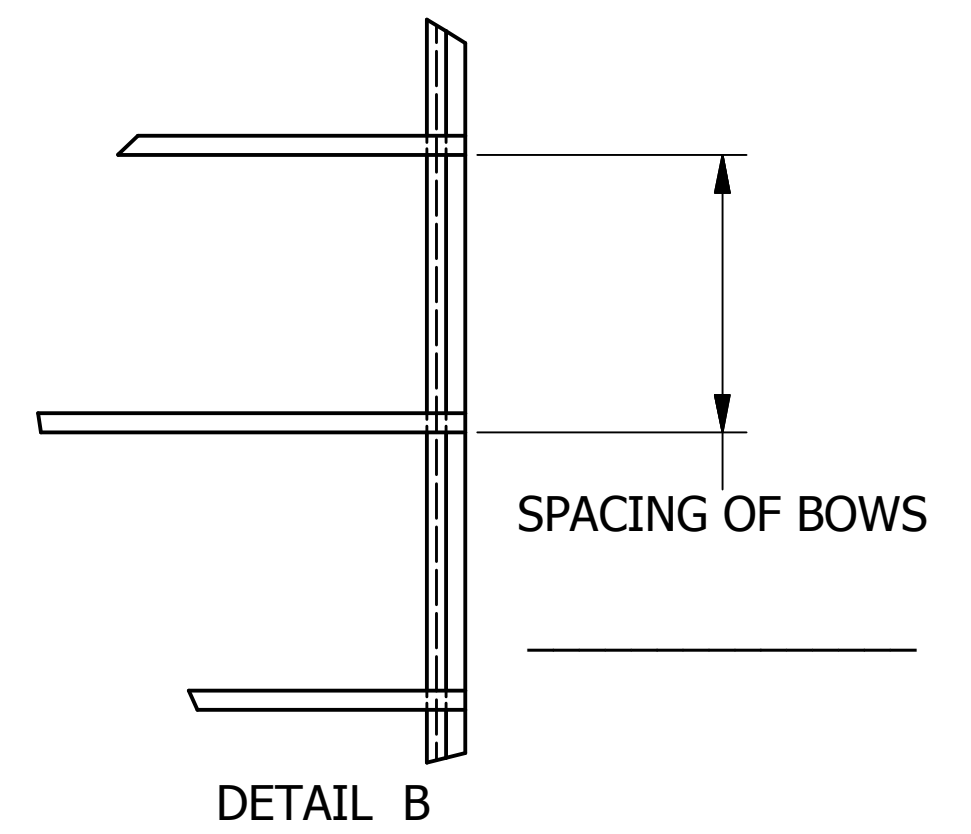
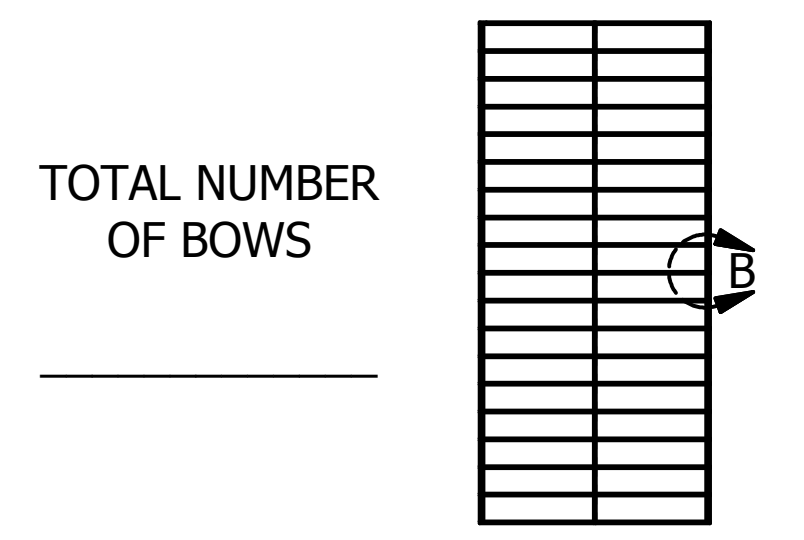


REVISIONS				
REV	ECN	DATE	DESCRIPTION	ISSUER
B		2/20/2013		



ATTACHMENT METHOD(S)



TOLERANCES - UNLESS NOTED DECIMAL ± FRACTION ± ANGLE ±			TITLE: GENERIC PEAKED FRAME DETAIL		SIZE C
			1314 Walnut St. - Springfield, SD 57062 605-369-6000		DRFT: _____ DATE _____ SCALE _____
NOTICE THIS ILLUSTRATION IS THE PROPERTY OF RUSH-CO, AND MUST NOT BE USED IN ANY WAY DETRIMENTAL TO RUSH-CO'S INTERESTS.			ENGR: _____ DATE _____		