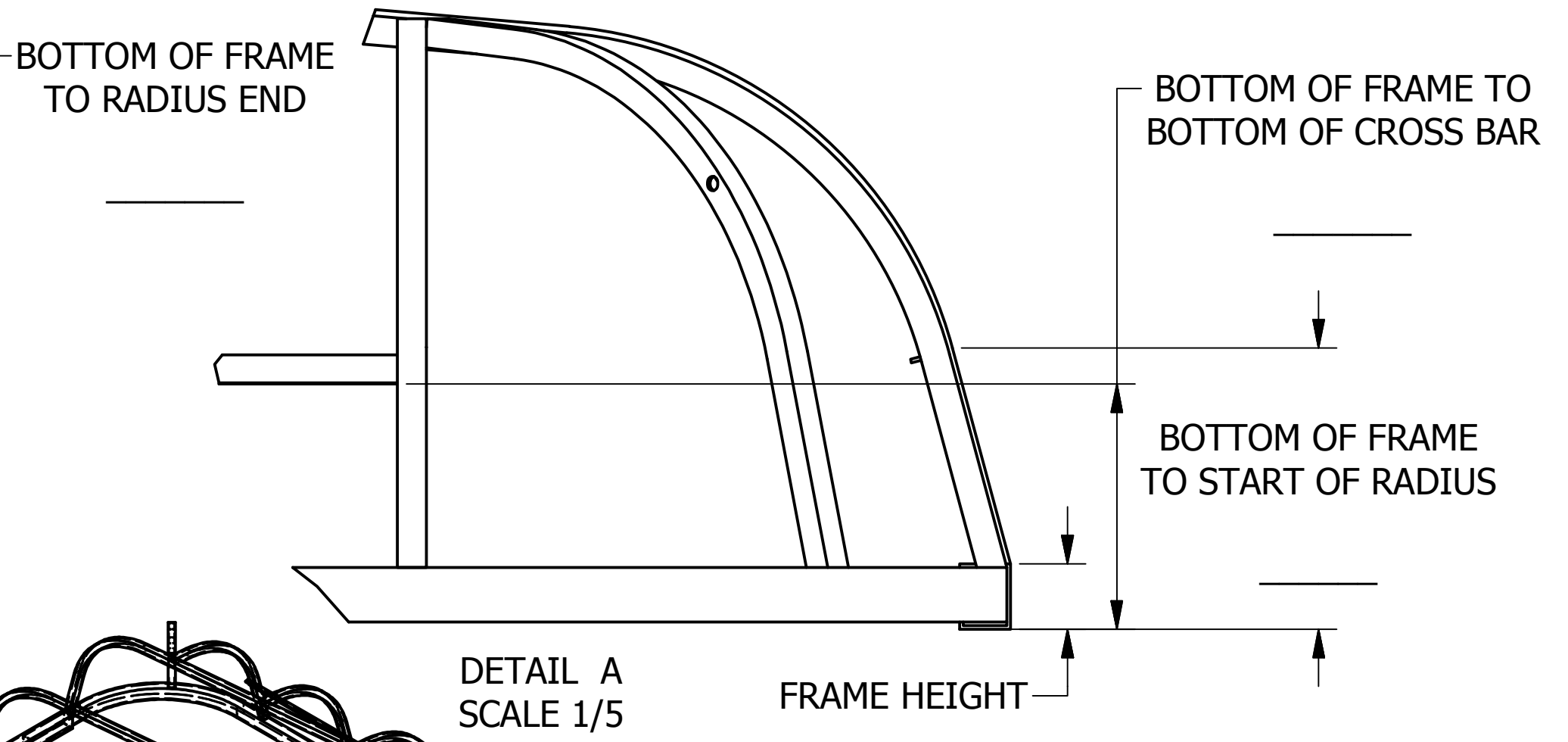
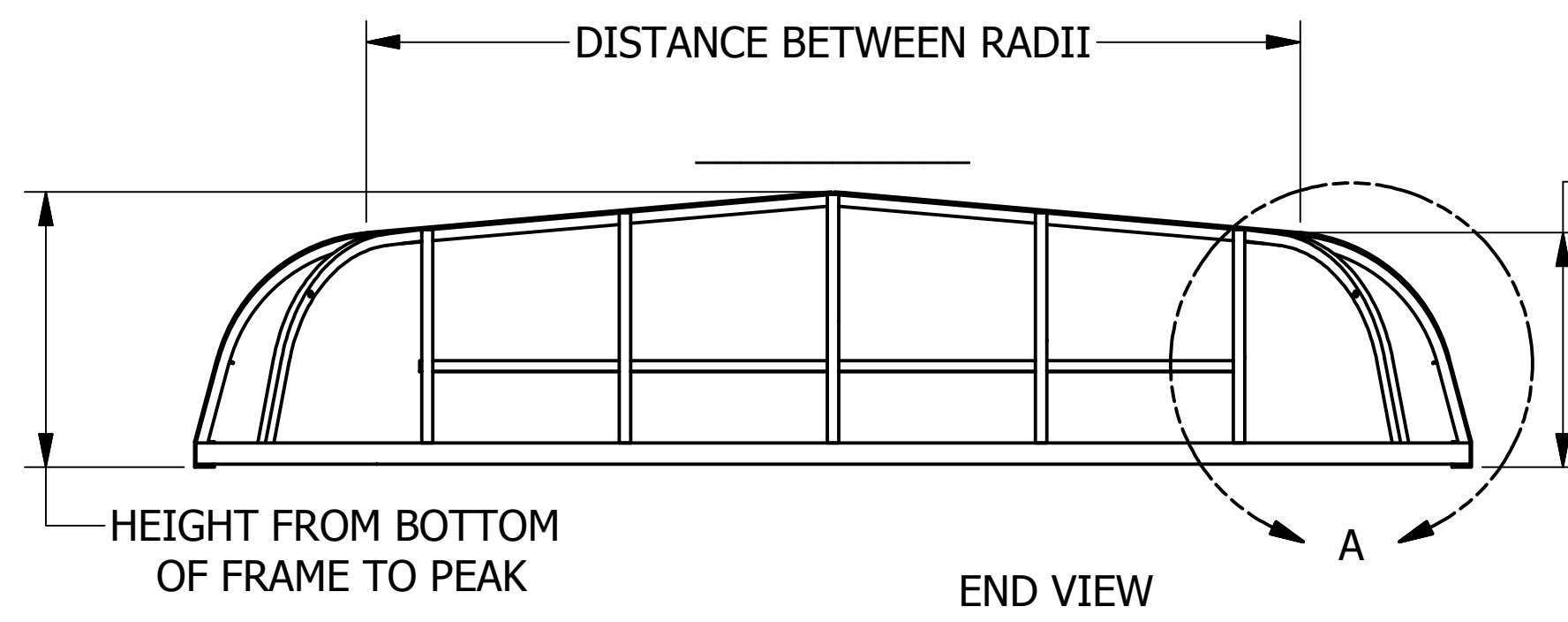


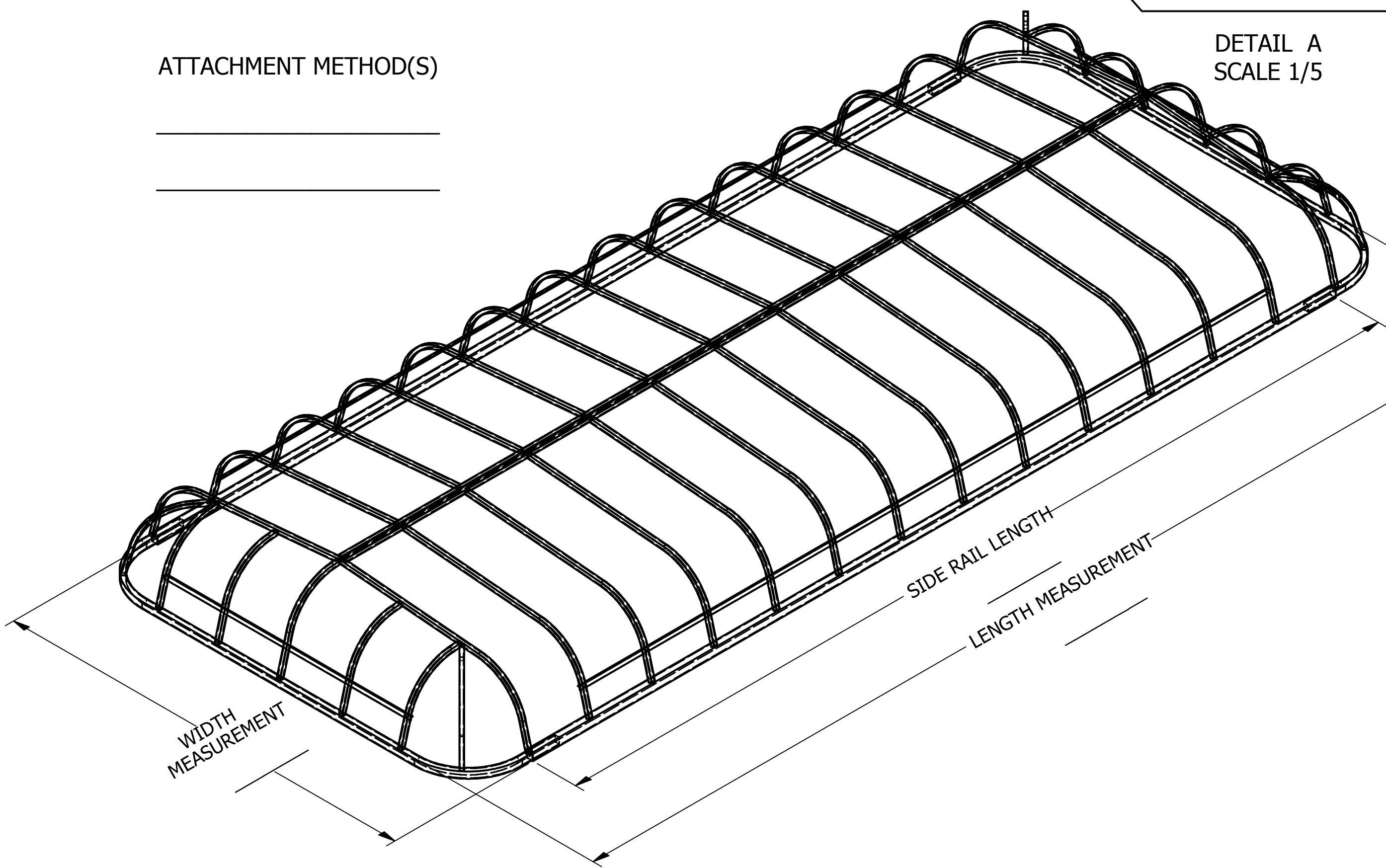
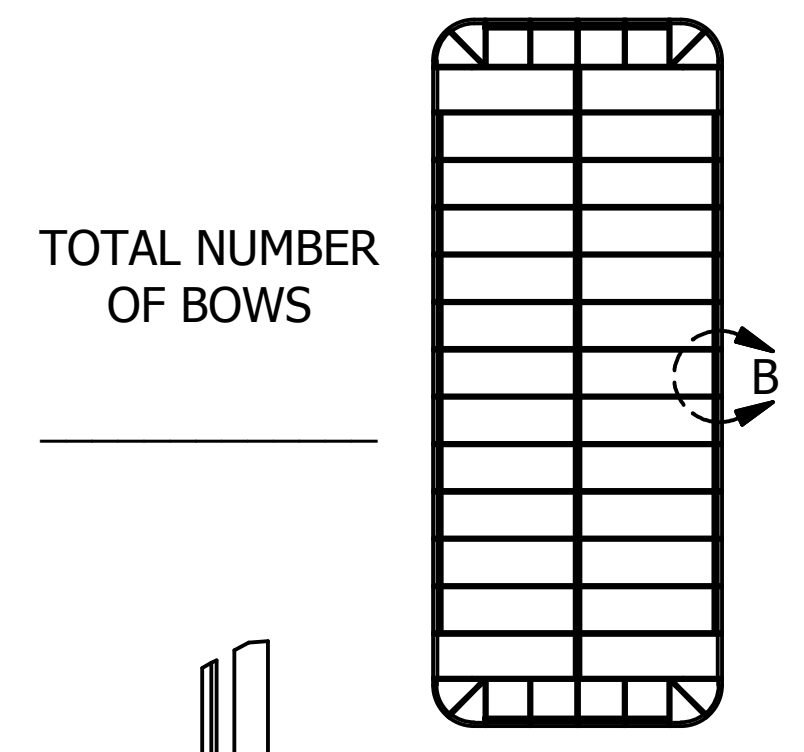
REVISIONS				
REV	ECN	DATE	DESCRIPTION	ISSUER
A		4/2/2013		



ATTACHMENT METHOD(S)

\_\_\_\_\_

\_\_\_\_\_



TOLERANCES - UNLESS NOTED DECIMAL ± FRACTION ± ANGLE ±			TITLE: <b>GENERIC ROUND CORNER FRAME DETAIL</b>			SIZE <b>C</b>
			1314 Walnut St. - Springfield, SD 57062 605-369-6000	DRFT: <b>RML</b> ENGR:	DATE <b>4/2/2014</b> DATE	SCALE

**NOTICE** THIS ILLUSTRATION IS THE PROPERTY OF RUSH-CO, AND MUST NOT BE USED IN ANY WAY DETRIMENTAL TO RUSH-CO'S INTERESTS.