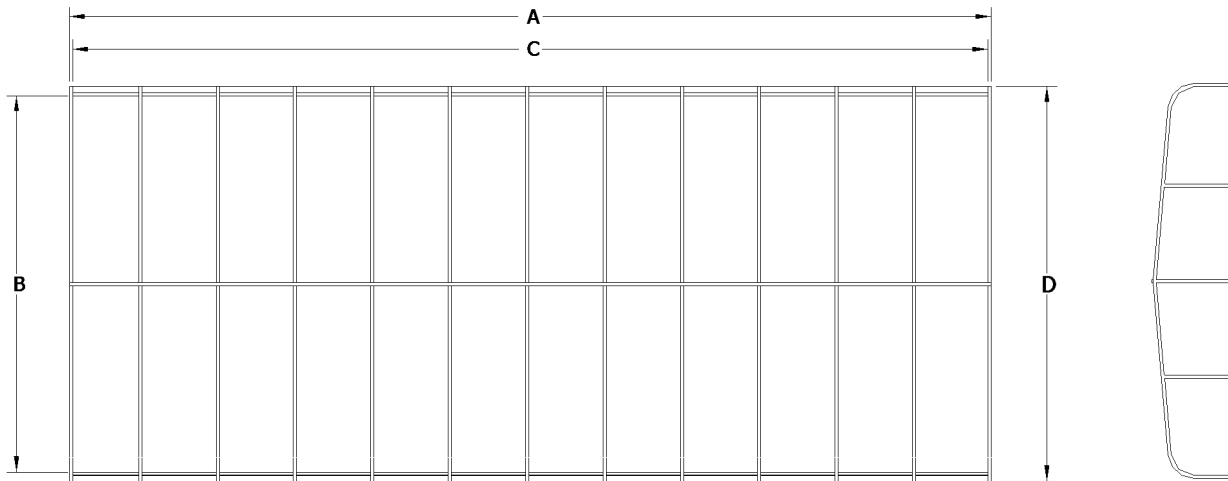


Attn: \_\_\_\_\_



**Harbor Master® Flat Front Frame  
 Specification Sheet**



**\*ALL MEASUREMENTS (±1")**

PART NO.	SIZE	OVERALL LENGTH "A"	INSIDE WIDTH "B"	SIDE RAIL LENGTH "C"	OUTSIDE WIDTH "D"
HMA2400114	24' X 114"	24'	114"	23' 10"	118"
HMA2700114	27' X 114"	27'	114"	26' 10"	118"
HMA2400120	24' X 120"	24'	120"	23' 10"	124"
HMA2700120	27' X 120"	27'	120"	26' 10"	124"

**ATTACHMENT**

Hooked bungee attaches to d-rings and hook over aluminum rod on frame.

STANDARD VALANCE: 12" VALANCE

**OUTSIDE DIMENSIONS**

- A \_\_\_\_\_ OVERALL LENGTH OF FRAME
- B \_\_\_\_\_ INSIDE WIDTH OF FRAME
- C \_\_\_\_\_ LENGTH OF SIDE RAILS (W/O ENDS)
- D \_\_\_\_\_ OUTSIDE WIDTH OF FRAME

**\*\*If dimensions don't match above, fill out detail sheet on page 2\*\***

**CONTACT INFORMATION**

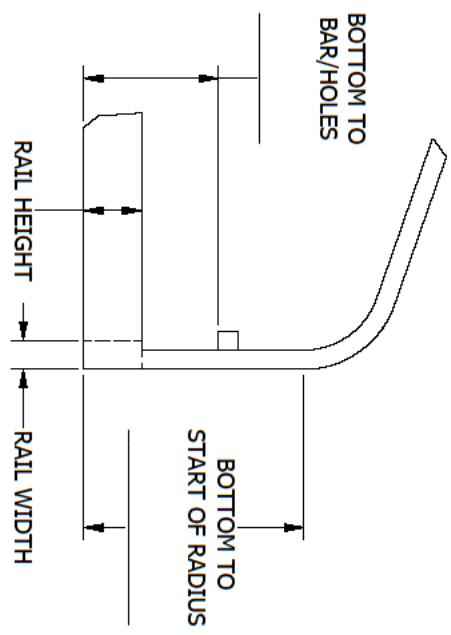
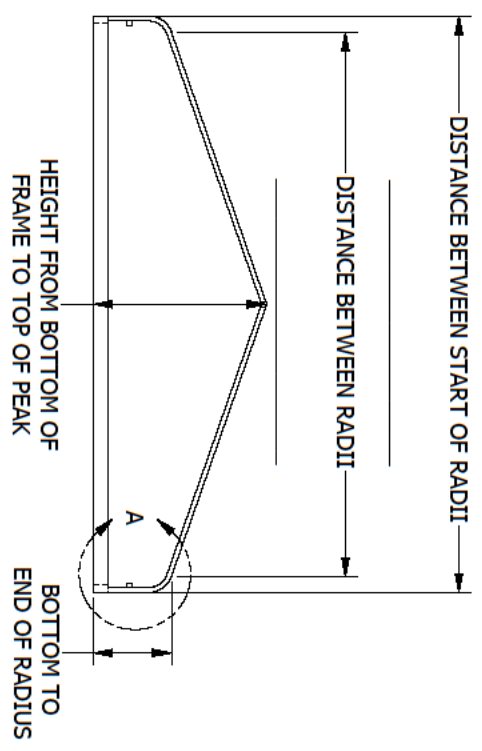
Name \_\_\_\_\_  
 Address \_\_\_\_\_  
 City \_\_\_\_\_ State \_\_\_\_\_ Zip \_\_\_\_\_  
 Phone \_\_\_\_\_ Fax \_\_\_\_\_  
 Boat Lift Brand \_\_\_\_\_

**NOTES**

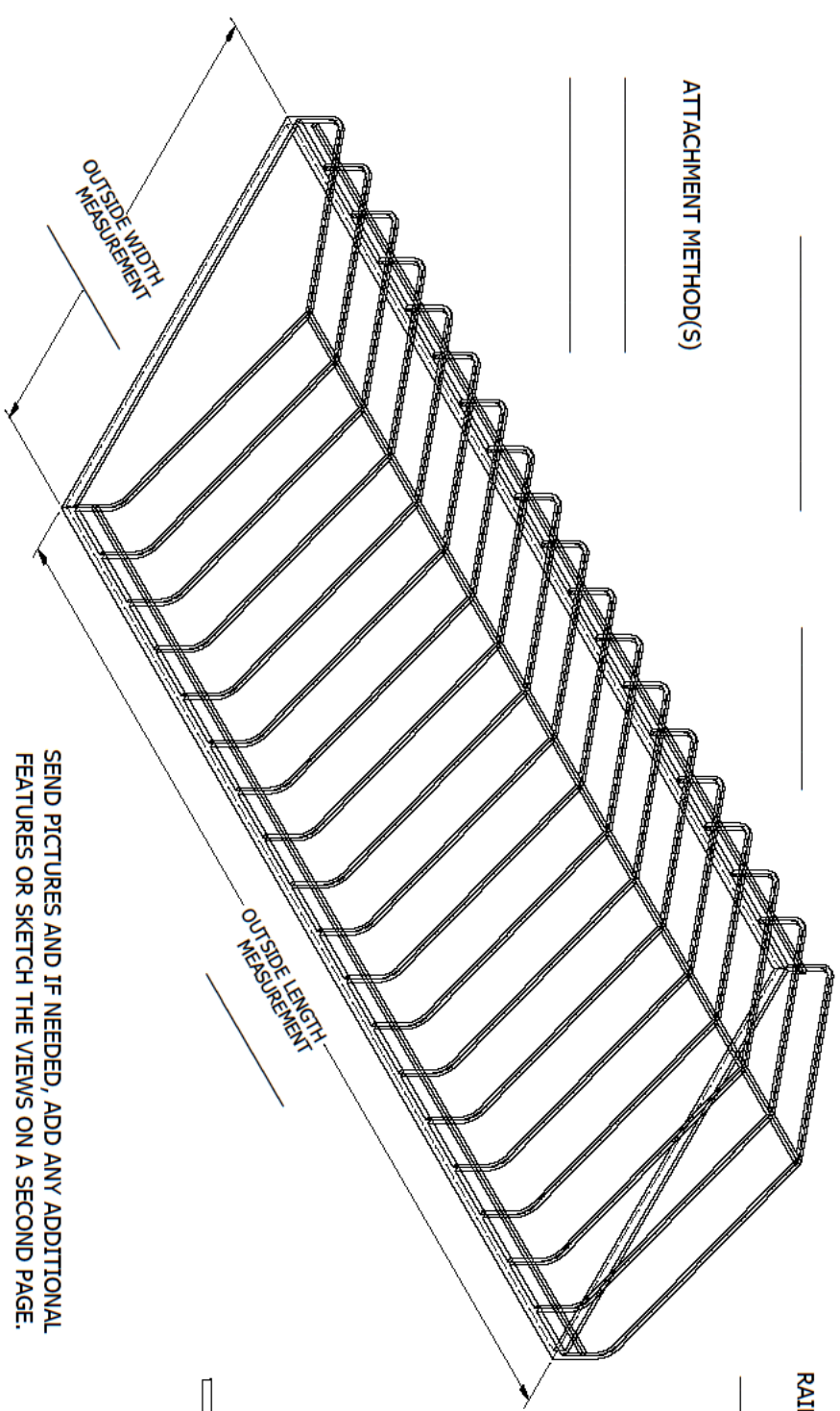
\_\_\_\_\_  
 \_\_\_\_\_  
 \_\_\_\_\_

REV	ECN	DATE	DESCRIPTION	ISSUER
A	EC-00469	10/4/2016	RELEASE	RML

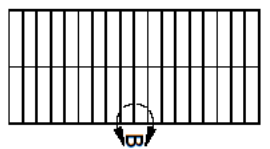
REVISIONS



ATTACHMENT METHOD(S)



TOTAL NUMBER OF BOWS



SEND PICTURES AND IF NEEDED, ADD ANY ADDITIONAL FEATURES OR SKETCH THE VIEWS ON A SECOND PAGE.

DETAIL B

SPACING OF BOWS

**TOLERANCES - UNLESS NOTED**

DECIMAL F.	FRACTION F.	ANGLE F.

**NOTICE** THIS ILLUSTRATION IS THE PROPERTY OF RUSH-CO. AND MUST NOT BE USED IN ANY WAY DETRIMENTAL TO RUSH-CO'S INTERESTS.

**RUSH-CO**  
1314 Walnut St. - Springfield, SD 57062  
605-369-6000

**TITLE: PEAKED FLUSHED END FRAME DETAIL SHEET**

DRAWN: RML	DATE: 10/4/2016	SCALE: 1/1	SHEET: 1/1	PART NO: F-133
ENGR: CWG	DATE: 10/10/2016			

SIZE: C