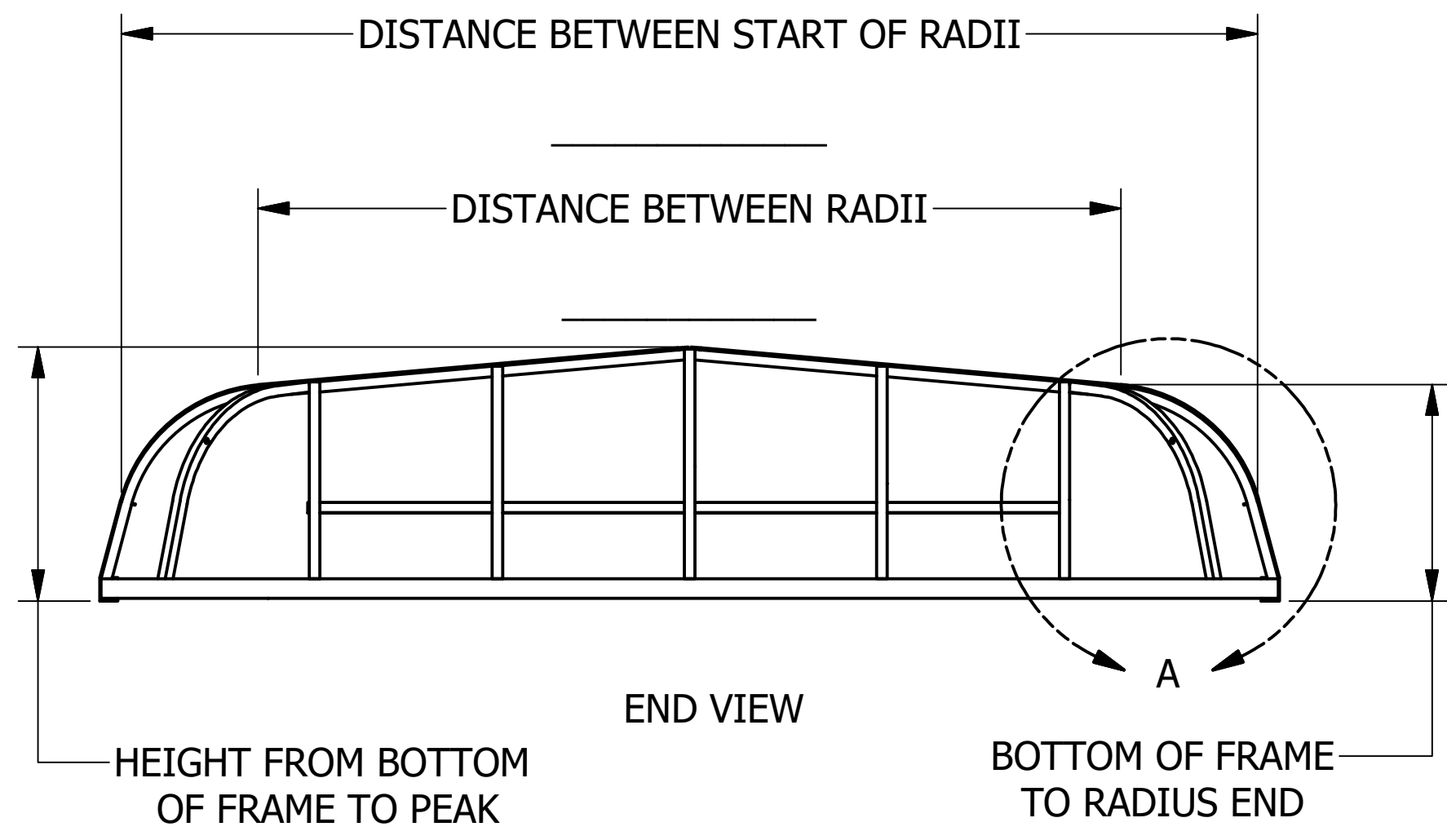
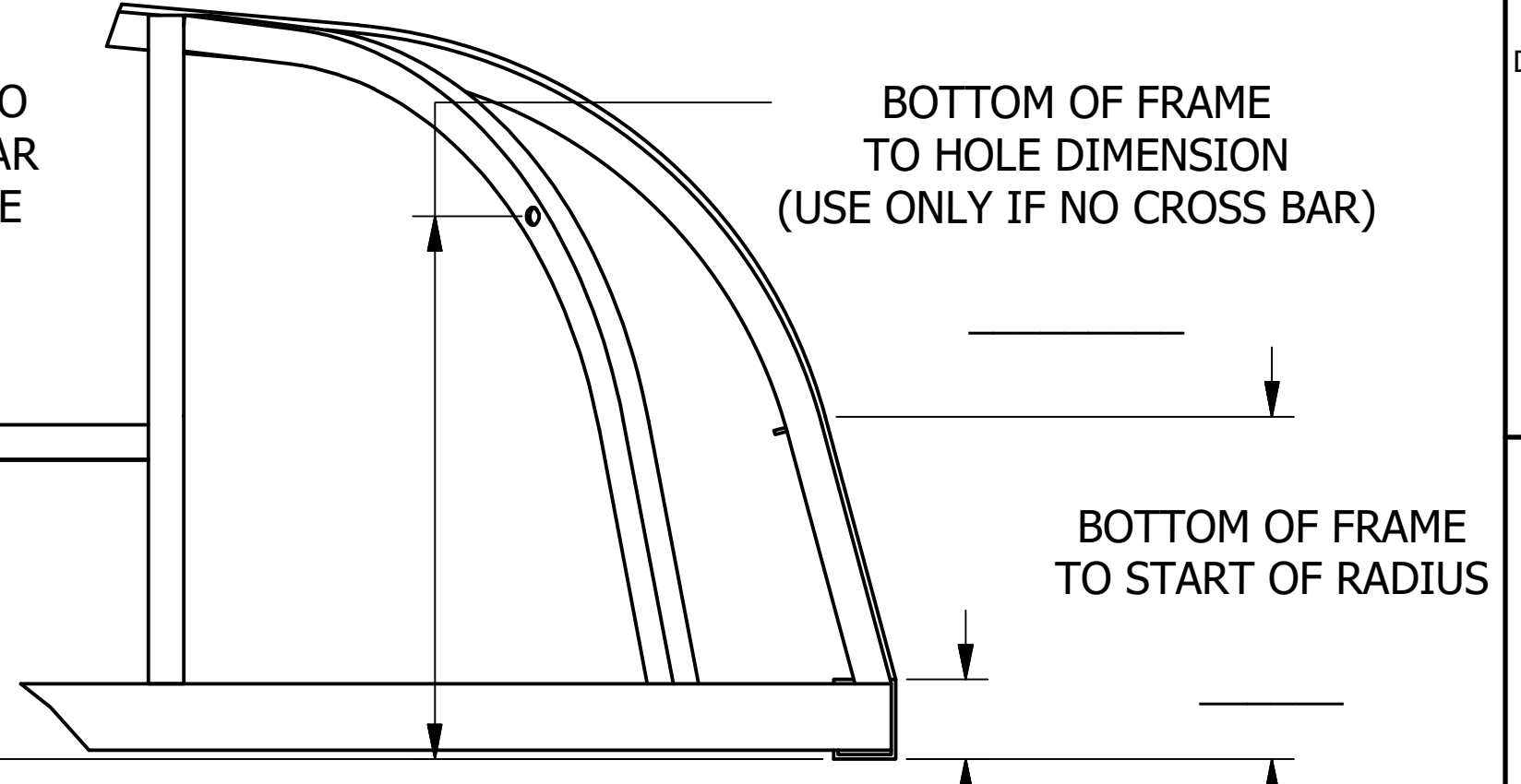


REVISIONS				
REV	ECN	DATE	DESCRIPTION	ISSUER
A	EC-00469	10/4/2016	RELEASE	RML
B	EC-00723	6/25/2018	ADD HOLE DIMENISON	RML



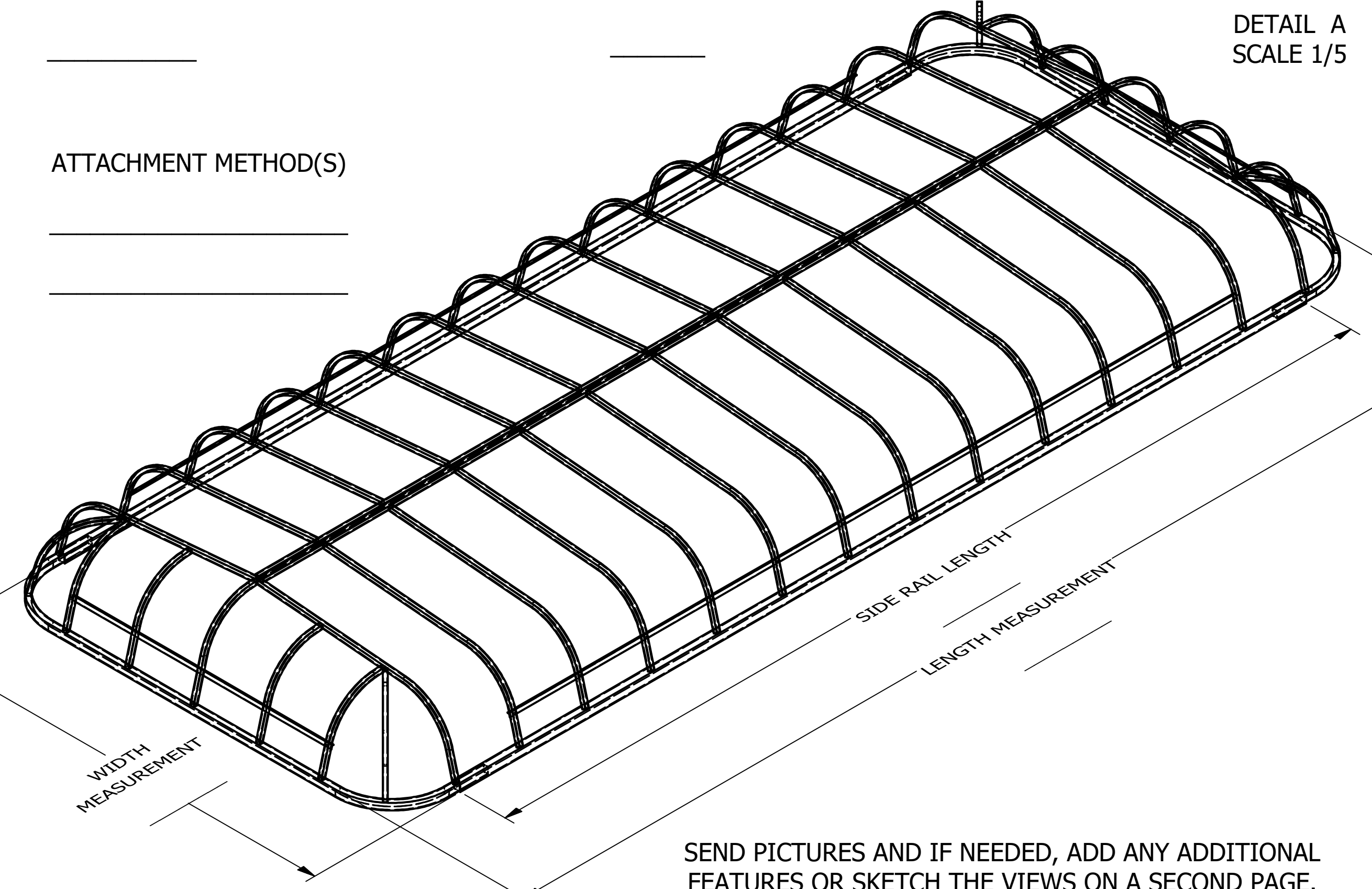
BOTTOM OF FRAME TO BOTTOM OF CROSS BAR (IF NO CROSS BAR USE HOLE DIMENISON)



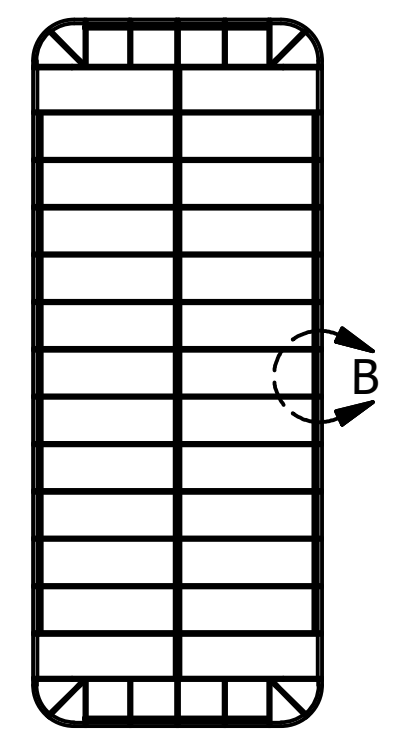
DETAIL A SCALE 1/5

FRAME HEIGHT

ATTACHMENT METHOD(S)



TOTAL NUMBER OF BOWS



SPACING OF BOWS

DETAIL B SCALE 1/10

SEND PICTURES AND IF NEEDED, ADD ANY ADDITIONAL FEATURES OR SKETCH THE VIEWS ON A SECOND PAGE.

TOLERANCES - UNLESS NOTED
 DECIMAL ±
 FRACTION ±
 ANGLE ±
NOTICE THIS ILLUSTRATION IS THE PROPERTY OF RUSH-CO, AND MUST NOT BE USED IN ANY WAY DETRIMENTAL TO RUSH-CO'S INTERESTS.



1314 Walnut St. - Springfield, SD 57062 605-369-6000

TITLE: ROUND CORNER FRAME DETAIL SHEET			SIZE C
DRFT: RML	DATE 4/2/2014	SCALE	SHEET 1
ENGR: CWG	DATE 10/10/2016		PART NO: F-134