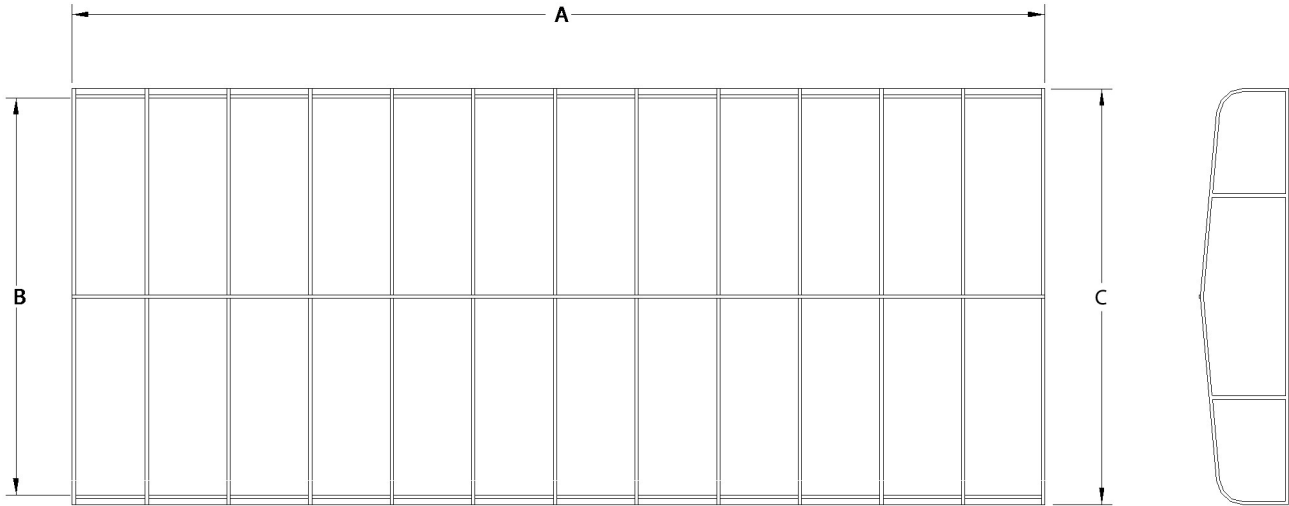


Attn: _____



**Hewitt Flat Front Frame
 Specification Sheet**



***ALL MEASUREMENTS (±1")**

PART NO. FLAT FRONT	SIZE	OVERALL LENGTH "A"	INSIDE WIDTH "B"	OUTSIDE WIDTH "C"
HWA1000071	10' X 71"	10'	65"	71"
HWA1200071	12' X 71"	12'	65"	71"
HWA1000100	10' X 100"	10'	94"	100"
HWA1200100	12' X 100"	12'	94"	100"
HWA1800100	18' X 100"	18'	94"	100"
HWA2000100	20' X 100"	20'	94"	100"
HWA1000110	10' X 110"	10'	104"	110"
HWA1200110	12' X 110"	12'	104"	110"
HWA1800110	18' X 110"	18'	104"	110"
HWA2000110	20' X 110"	20'	104"	110"
HWA1200120	12' X 120"	12'	114"	120"
HWA2000120	20' X 120"	20'	114"	120"

ATTACHMENT

Ball bungees wrap around each bow on the sides

Hooked bungees attach to a ring welded to each bow on the ends

STANDARD VALANCE: 12" VALANCE

OUTSIDE DIMENSIONS

A _____ OVERALL LENGTH OF FRAME
 B _____ INSIDE WIDTH OF FRAME
 C _____ OUTSIDE WIDTH OF FRAME

****If dimensions don't match above,
 fill out detail sheet on page 2****

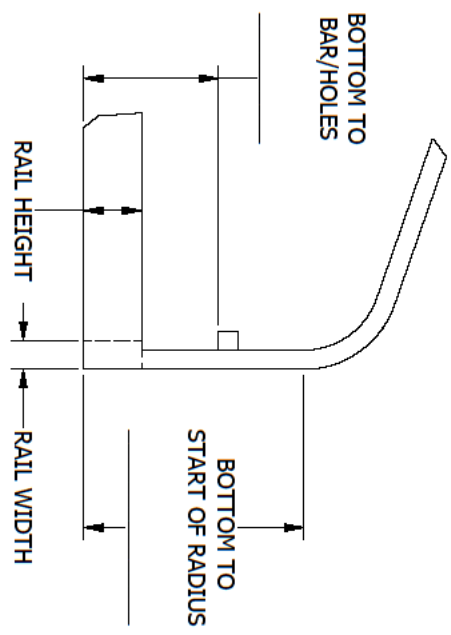
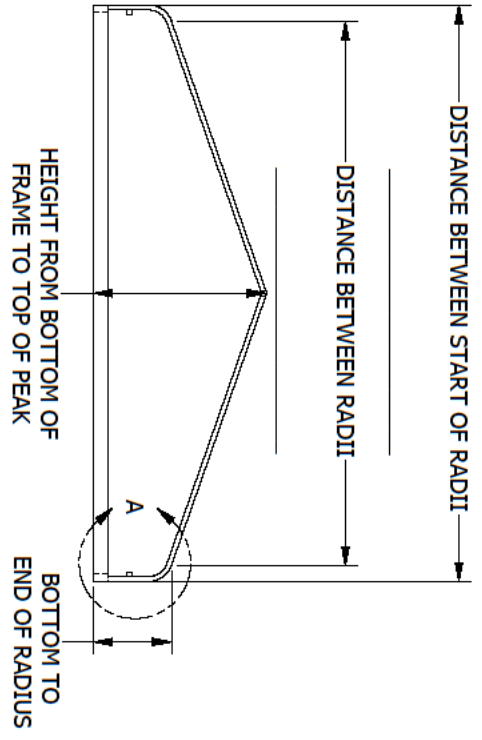
CONTACT INFORMATION

Name _____
 Address _____
 City _____ State _____ Zip _____
 Phone _____ Fax _____
 Boat Lift Brand _____

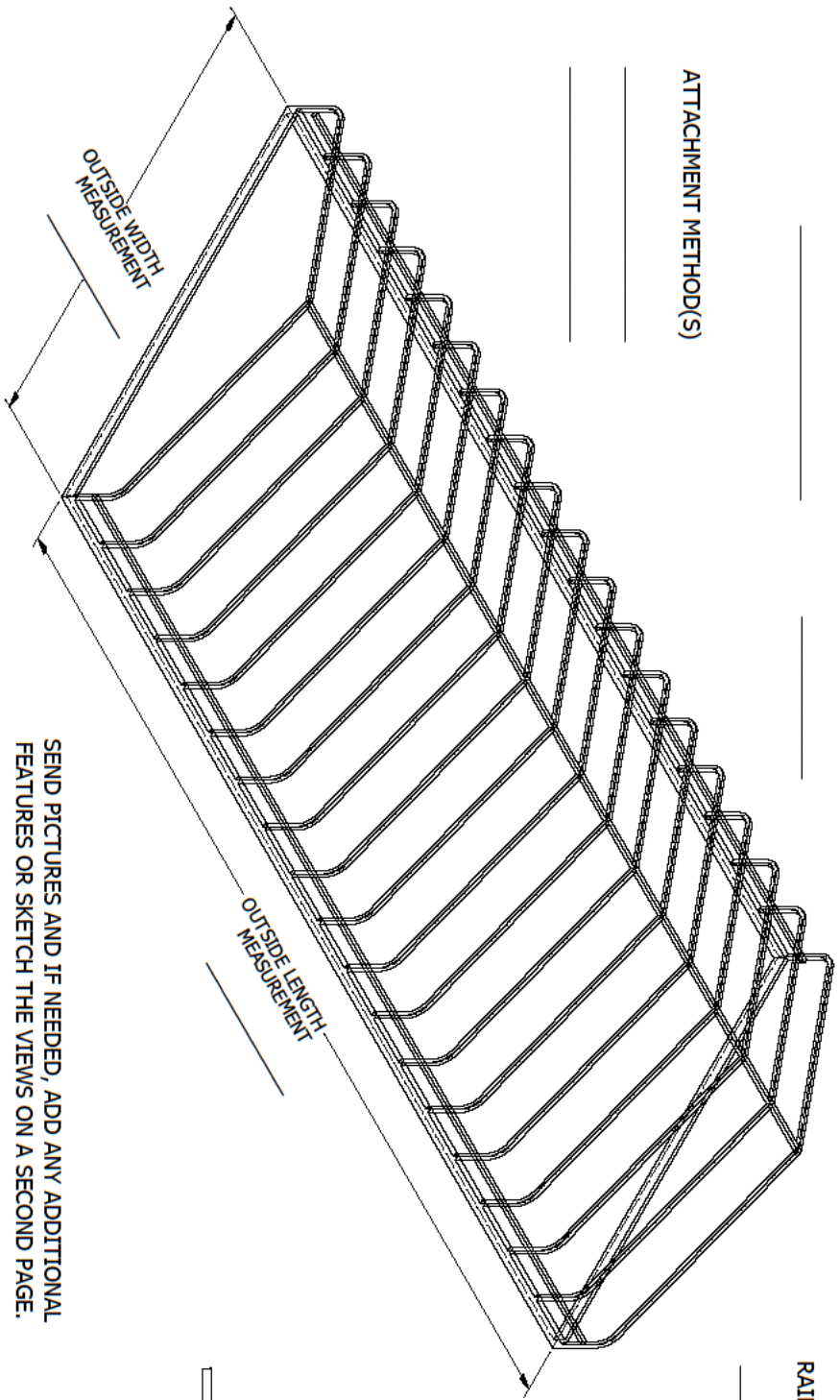
NOTES

REV	ECN	DATE	DESCRIPTION	ISSUER
A	EC-00469	10/4/2016	RELEASE	RML

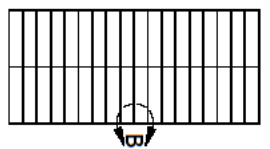
REVISIONS



ATTACHMENT METHOD(S)

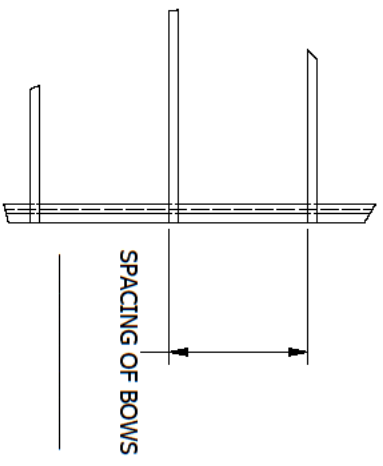


TOTAL NUMBER OF BOWS



SEND PICTURES AND IF NEEDED, ADD ANY ADDITIONAL FEATURES OR SKETCH THE VIEWS ON A SECOND PAGE.

DETAIL B



TOLERANCES - UNLESS NOTED		TITLE: PEAKED FLUSHED END FRAME DETAIL SHEET		SIZE: C
DECIMAL F.	FRACTION F.	DRAWN BY: RML	DATE: 10/4/2016	SHEET: 1
ANGLE F.		ENGINEER: CWG	DATE: 10/10/2016	PART NO.: F-133
<p>NOTICE THIS ILLUSTRATION IS THE PROPERTY OF RUSH-CO. AND MUST NOT BE USED IN ANY WAY DETRIMENTAL TO RUSH-CO'S INTERESTS.</p>		<p>1314 Walnut St. - Springfield, SD 57062 605-369-6000</p>		

