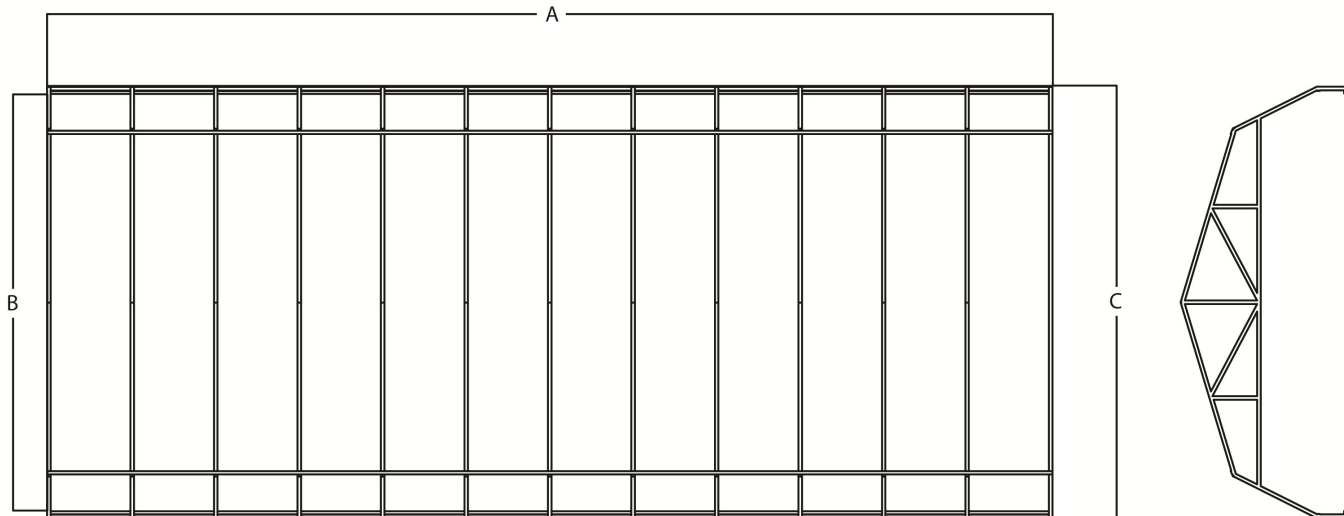


Attn: _____



RUSH-CO.®
 1314 Walnut St.
 Springfield, SD 57062
 1.877.330.0512
 RUSH-COMARINE.COM

**Hewitt Tower Frame
 Specification Sheet**



***ALL MEASUREMENTS (±1")**

PART NO. TOWER	SIZE	OVERALL LENGTH "A"	INSIDE WIDTH "B"	OUTSIDE WIDTH "C"
HWT2200120	22' X 120"	22'	114"	120"
HWT2400120	24' X 120"	24'	114"	120"
HWT2600120	26' X 120"	26'	114"	120"
HWT2800120	28' X 120"	28'	114"	120"
HWT3000120	30' X 120"	30'	114"	120"

****If dimensions don't match above,
 fill out detail sheet on page 2****

ATTACHMENT

Ball bungees wrap around each bow on the sides

Hooked bungees attach to a ring welded to each bow on the ends

STANDARD VALANCE: 12" VALANCE

OUTSIDE DIMENSIONS

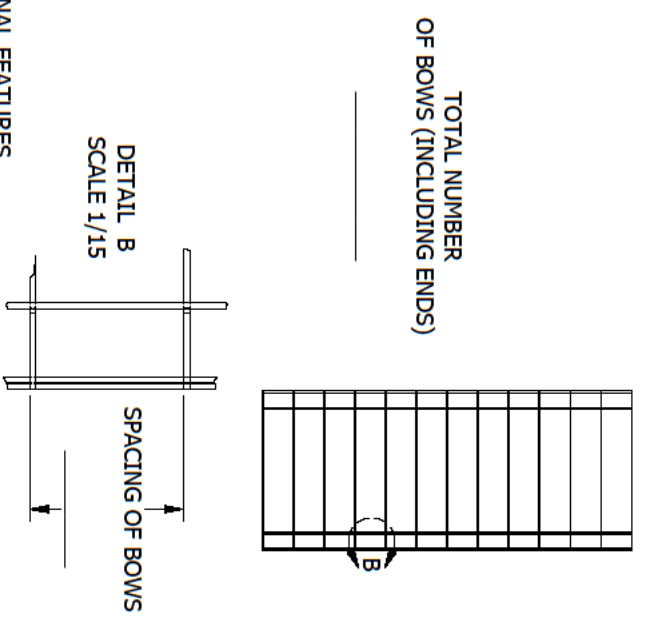
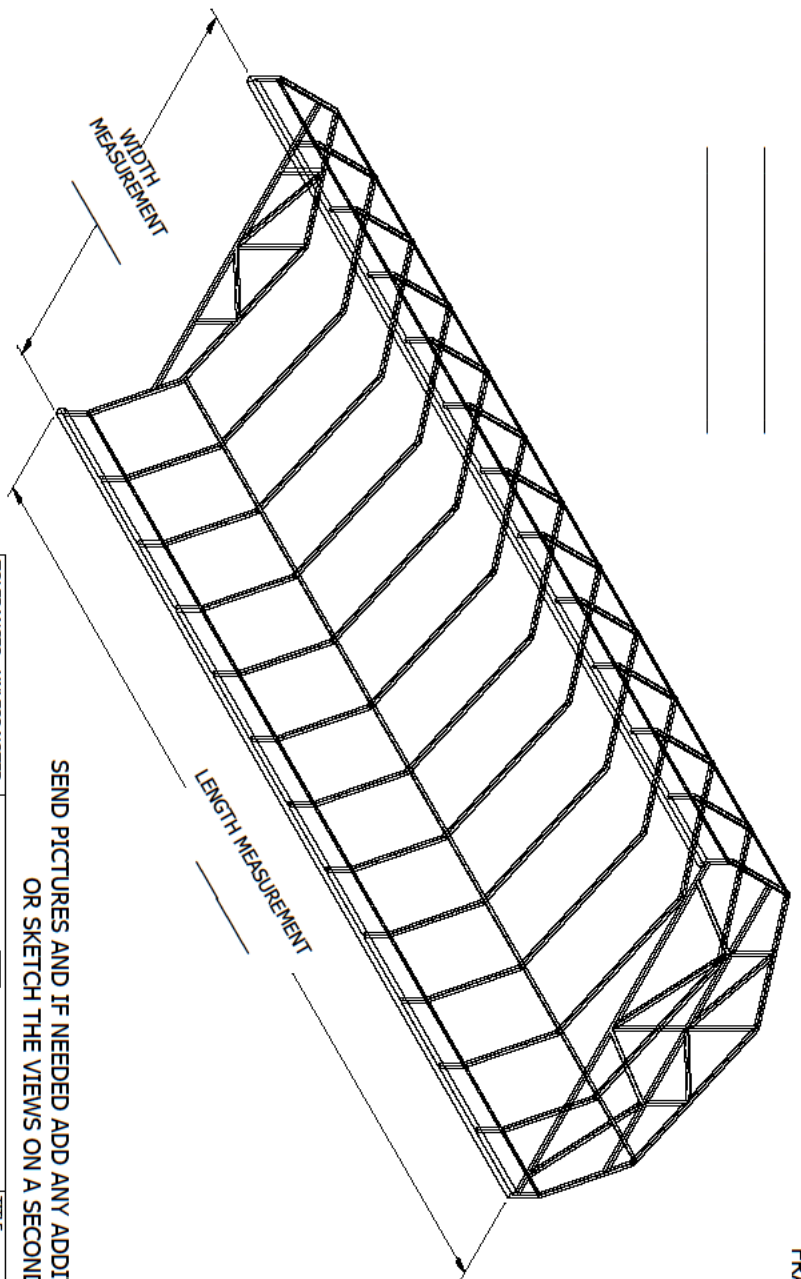
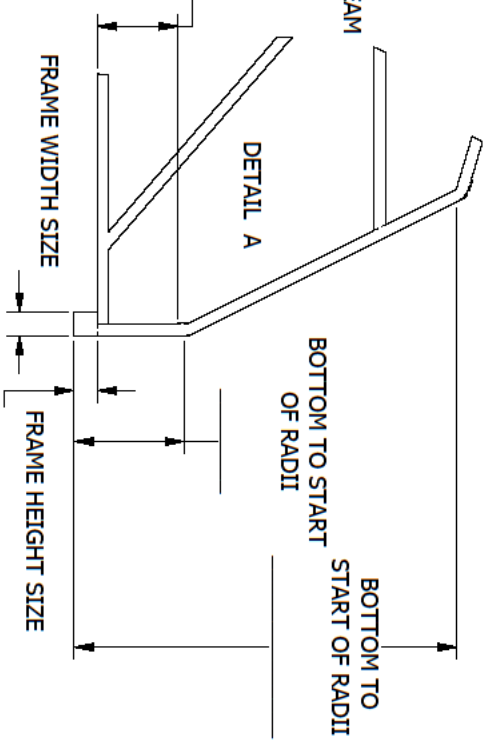
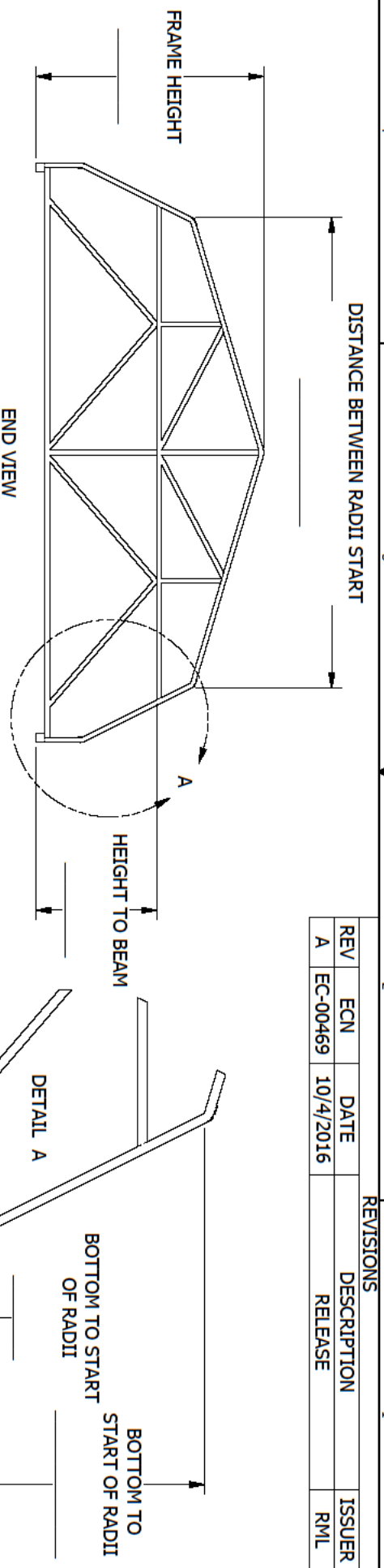
A _____ OVERALL LENGTH OF FRAME
 B _____ INSIDE WIDTH OF FRAME
 C _____ OUTSIDE WIDTH OF FRAME

CONTACT INFORMATION

Name _____
 Address _____
 City _____ State _____ Zip _____
 Phone _____ Fax _____
 Boat Lift Brand _____

NOTES

REVISIONS				ISSUER
REV	ECN	DATE	DESCRIPTION	RML
A	EC-00469	10/4/2016	RELEASE	RML



SEND PICTURES AND IF NEEDED ADD ANY ADDITIONAL FEATURES OR SKETCH THE VIEWS ON A SECOND PAGE.

TOLERANCES - UNLESS NOTED

DECIMAL F.
FRACTION F.
ANGLE F.

NOTICE THIS ILLUSTRATION IS THE PROPERTY OF RUSH-CO. AND MUST NOT BE USED IN ANY WAY DETRIMENTAL TO RUSH-CO'S INTERESTS.

RUSH-CO
1314 Walnut St. - Springfield, SD 57062
605-369-6000

TITLE: GAMBREL TOWER FRAME DETAIL SHEET

DRAFT: RML
ENGR: CWS

DATE: 9/18/2015

SCALE: 1/15

SHEET: 1/1

PART NO: F-137

SIZE: C