

## INSTALLATION INSTRUCTIONS

A) Stretching and removing bungee cords requires strength and proper balance. **DO NOT** let go of bungee cords when under tension; an eye injury or other types of bodily injury could occur. **ALWAYS** wear safety glasses and the proper protective clothing.

B) A canopy cover is a hazard if exposed to high wind! **DO NOT** attach canopy to canopy frame if wind affects your ability to safely fasten. **DO NOT** leave canopy unattended on frame when attaching.

C) Unroll the canopy over the hoops of the frame. Make sure the fabric is straight on the frame with equal amounts of overhang on each side. The canopy is attached to the frame using any one of the following methods, depending on the style of canopy frame:

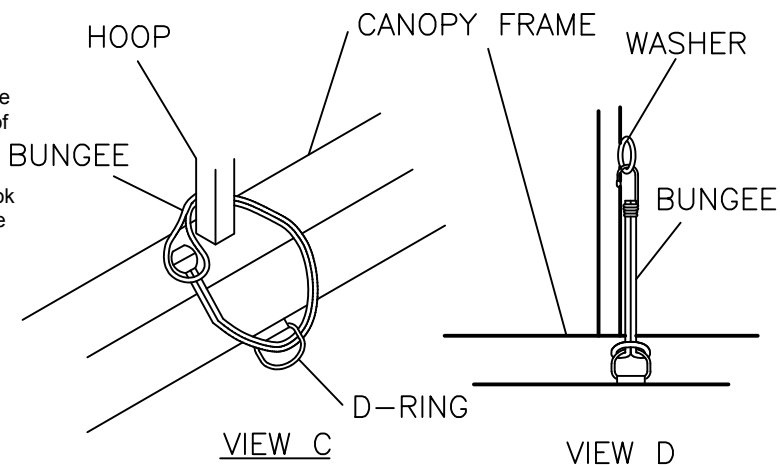
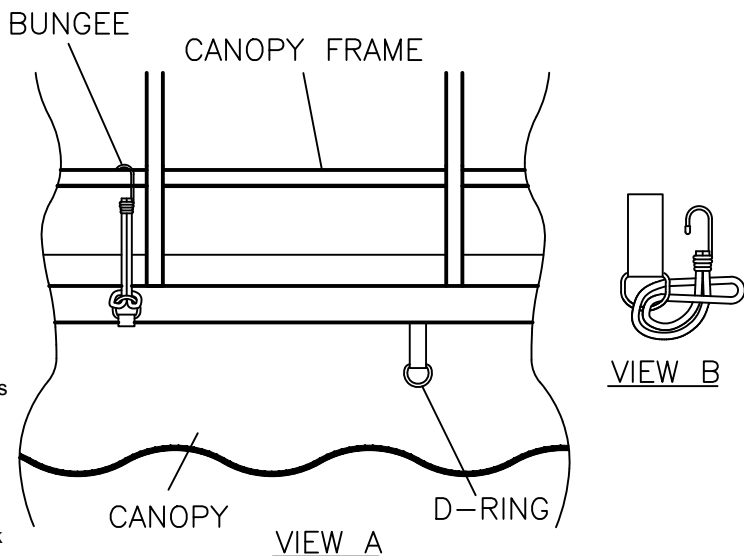
**OPTION 1** - Take the bungee loop and insert it through the D-ring on the canopy attachment. Then, loop the hook back through the bungee loop, pull it up and hook it on the cross member of the canopy frame. See Views A & B.

**OPTION 2** - Canopies that utilize two bungee attachment methods.

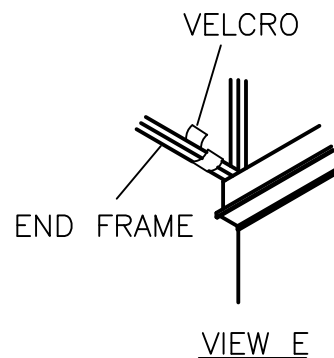
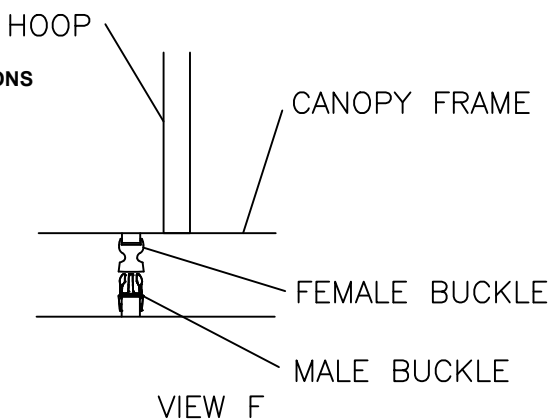
- On the sides, take the looped end of the bungee and run it through the D-ring on the canopy attachment, around the hoop, and hook it around the ball on the end of the bungee. See View C.
- On the ends, take the bungee loop and insert it through the D-ring on the canopy attachment. Then, loop the hook back through the bungee loop, pull it up and hook it on the washer that is welded to the canopy frame. See Views B & D.

**OPTION 3** - Attach the canopy in the same manner as Option 2a in View C. Attach the canopy to the end of the frame by wrapping the Velcro around the end frame member. See View E.

**OPTION 4** - For canopies that have buckles, the male buckle wraps around the bottom of the canopy frame while the female buckle wraps around the top of the canopy frame. Then fasten. See View F.



SEE SHEET 2 FOR MORE OPTIONS



**ALWAYS REMOVE CANOPY COVER DURING THE OFF SEASON  
SEE UNDER SIDE OF CANOPY FOR CARE & MAINTENANCE INSTRUCTIONS**

## INSTALLATION INSTRUCTIONS CONTINUED

C) Unroll the canopy over the hoops of the frame. Make sure the fabric is straight on the frame with equal amounts of overhang on each side. The canopy is attached to the frame using one of the following methods, depending on the style of canopy frame:

**OPTION 5** - For canopies that have grommets; customer supplied straps or zip ties are used. The zip ties are slipped through the grommets and wrapped around the canopy frame and fastened. See View G.

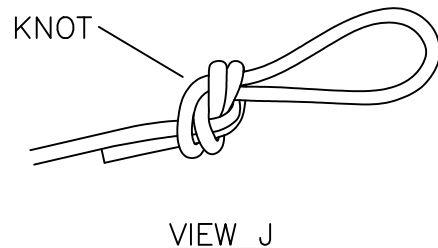
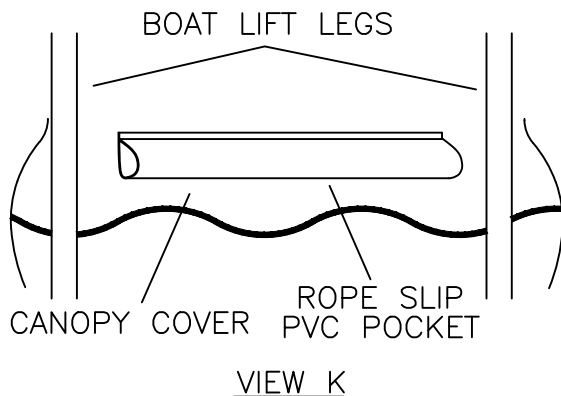
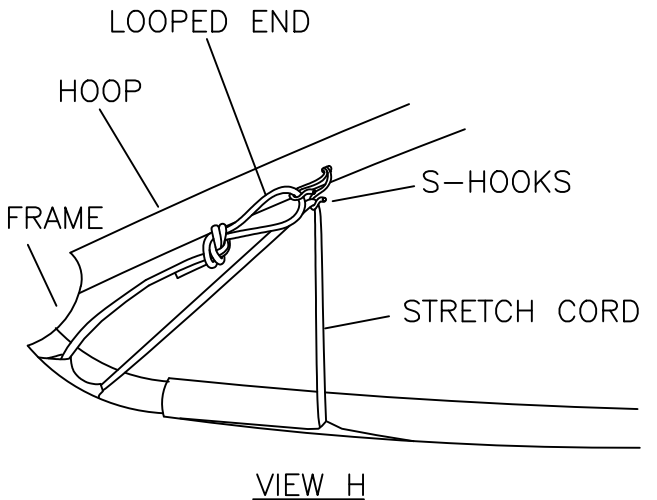
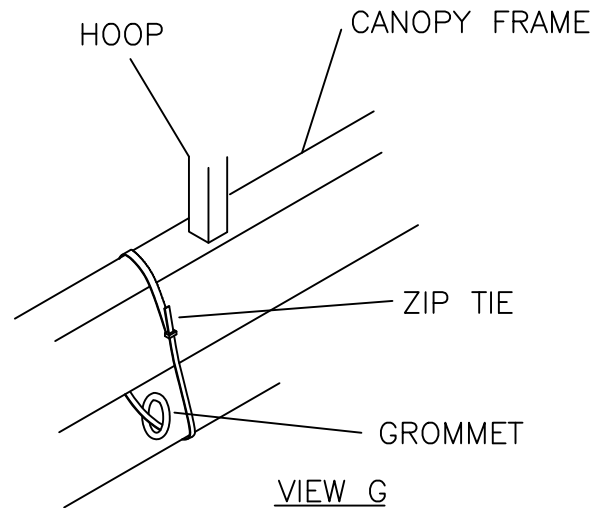
**OPTION 6** - For canopies that have stretch cords, the following method may be used to attach and terminate the cords.

- Create a loop with a knot on each end of stretch cord. See View J.
- To start the stretch cord, slip one of the looped ends over a hook or round puck as shown in View H. Feed the stretch cord through the side and/or end straps. Then terminate by slipping the looped end over a hook or round puck. (NOTE: If stretch cord is too long, one end may be knotted to shorten overall length)
- To tighten the stretch cord on sides and ends, pull stretch cord through pockets on side and/or end straps, and stretch over the hook or round puck as shown in View H. Note View H illustrates the S-hook option.

**OPTION 7** - If rope slips or PVC pockets are provided on the canopy cover, they must be used or warranty for wind whip is void. Rope may be attached to frame, frame upright, dock or what is convenient. Rope is not provided. See View K.

D) Severe or strong winds can pick up a boat, lift and canopy. This would cause damage to equipment and injury to anyone in its path. Position your boat up within canopy frame to provide protection and reduce chance of severe winds circulating inside frame.

E) **DO NOT** leave canopies on canopy frame unless boat lift is firmly in place. Sink lift leg pads into the lake bottom. Settling is helped by leaving boat on lift for several days and covering lift leg pads with the lake bottom soil. These steps provide a suction effect.



**ALWAYS REMOVE CANOPY COVER DURING THE OFF SEASON  
SEE UNDER SIDE OF CANOPY FOR CARE & MAINTENANCE INSTRUCTIONS**