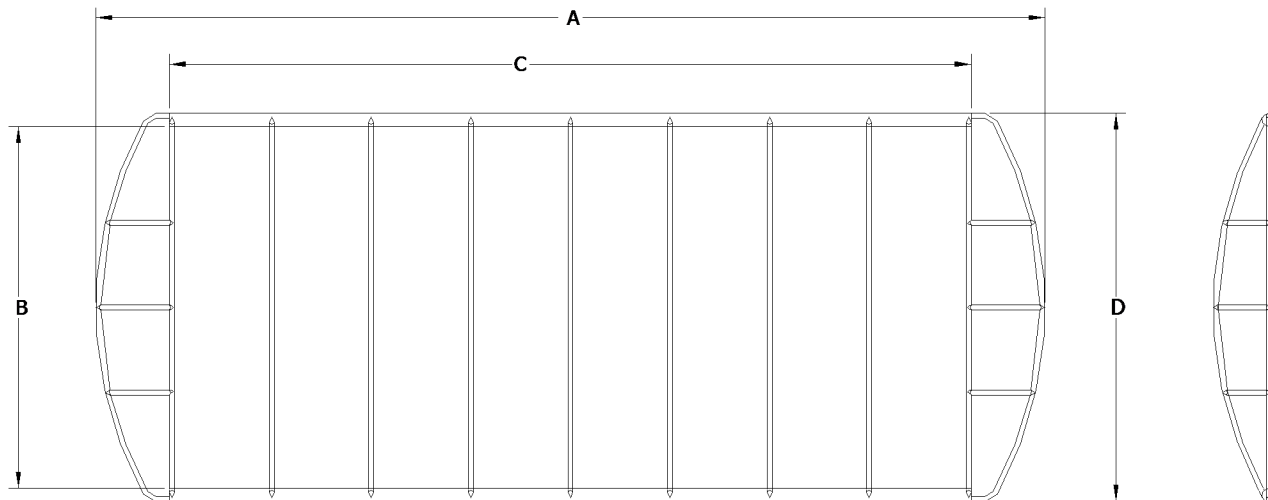


Attn: _____



**Lake Shore Products® Frame
 Specification Sheet**



***ALL MEASUREMENTS (±1")**

PART NO.	SIZE	NO. OF BOWS	INSIDE WIDTH "B"	SIDE RAIL LENGTH "C"	OUTSIDE WIDTH "D"
LS1800100	18' X 100"	5	99 1/4"	16'	107 1/4"
LS2000100	20' X 100"	6	99 1/4"	18'	107 1/4"
LS2200108	22' X 108"	7	107 1/4"	20'	115 1/4"
LS2400108	24' X 108"	8	107 1/4"	22'	115 1/4"
LS2600108	26' X 108"	9	107 1/4"	24'	115 1/4"
LS2200120	22' x 120"	7	119 1/4"	20'	127 1/4"
LS2400120	24' X 120"	8	119 1/4"	22'	127 1/4"
LS2600120	26' X 120"	9	119 1/4"	24'	127 1/4"
LS2800120	28' X 120"	10	119 1/4"	26'	127 1/4"
LS3000120	30' X 120"	11	119 1/4"	28'	127 1/4"

ATTACHMENT

Grommet strip, customer supplied spring, rope or zip tie for continuous bungee on each side and end, connected by s-hook to holes punched in each bow

STANDARD VALANCE: 20" VALANCE

OUTSIDE DIMENSIONS

- A _____ OVERALL LENGTH OF FRAME
- B _____ INSIDE WIDTH OF FRAME
- C _____ LENGTH OF SIDE RAILS (W/O ENDS)
- D _____ OUTSIDE WIDTH OF FRAME

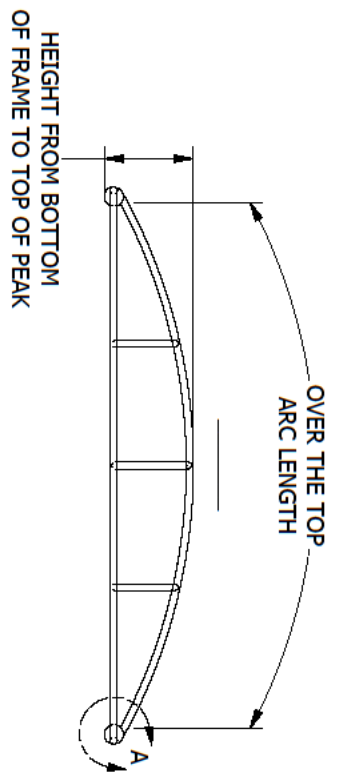
****If dimensions don't match above,
 fill out detail sheet on page 2****

CONTACT INFORMATION

Name _____
 Address _____
 City _____ State _____ Zip _____
 Phone _____ Fax _____
 Boat Lift Brand _____

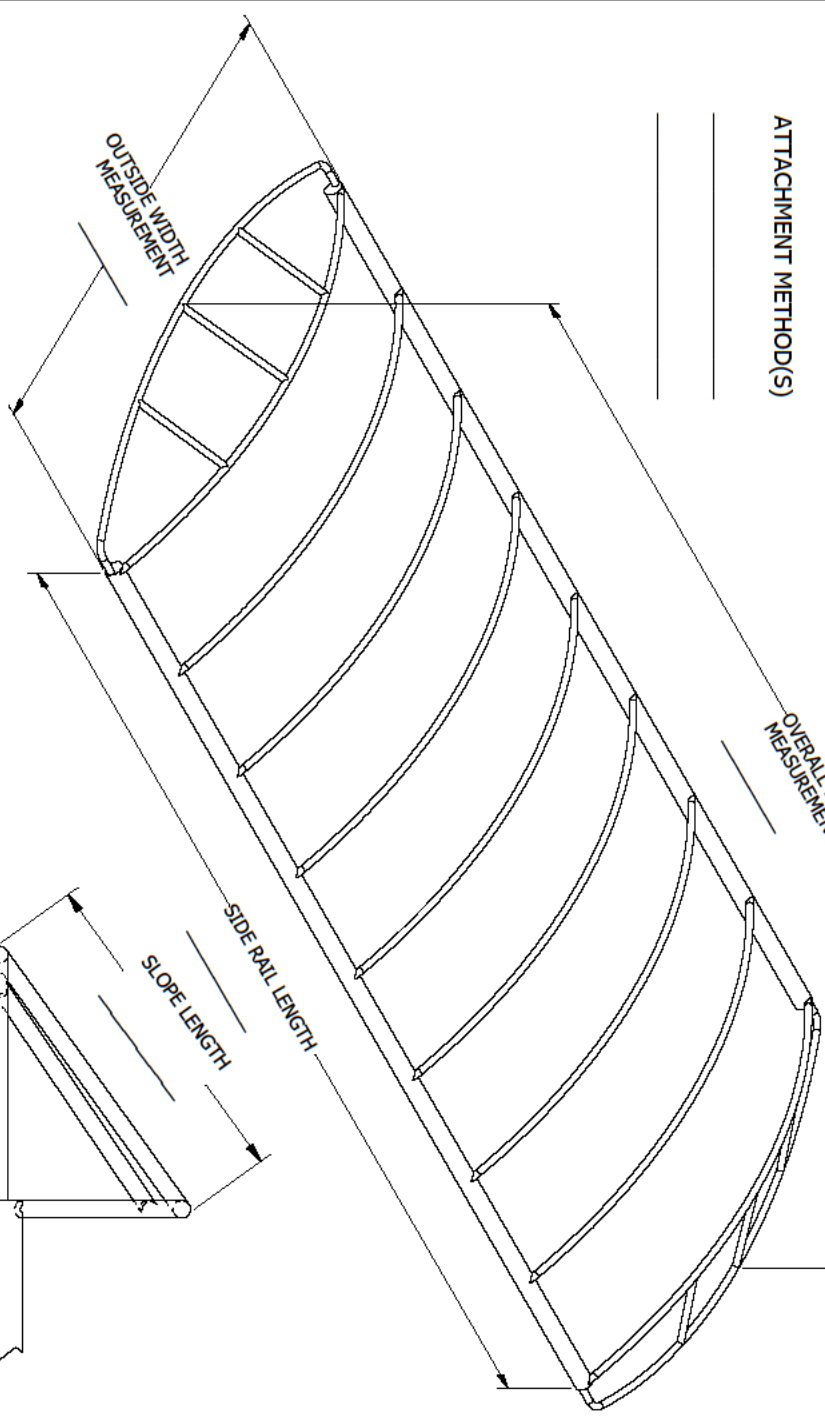
NOTES

REVISIONS				ISSUER
REV	ECN	DATE	DESCRIPTION	RML
A	EC-00469	10/4/2016	RELEASE	RML



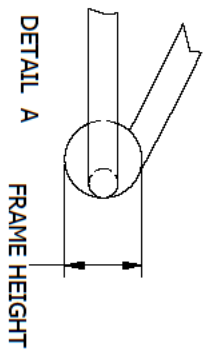
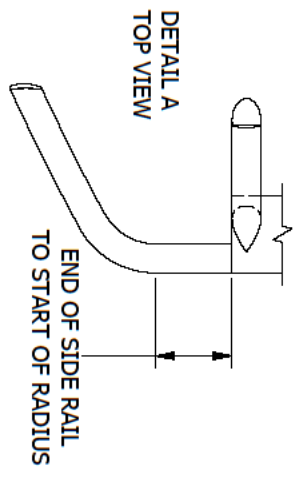
ATTACHMENT METHOD(S)

OVERALL LENGTH MEASUREMENT

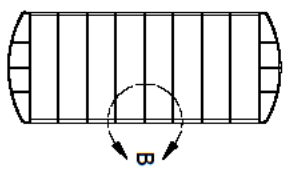


SEND PICTURES AND IF NEEDED, ADD ANY ADDITIONAL FEATURES OR SKETCH THE VIEWS ON A SECOND PAGE.

LOOKING AT END CAP FROM SIDE MEASURE ON CENTERLINE



TOTAL NUMBER OF BOWS



SPACING OF BOWS

DETAIL B

TOLERANCES - UNLESS NOTED

DECIMAL F.

FRACTION F.

ANGLE F.

NOTICE THIS ILLUSTRATION IS THE PROPERTY OF RUSH-CO. AND MUST NOT BE USED IN ANY WAY DETRIMENTAL TO RUSH-CO'S INTERESTS.

1314 Walnut St. - Springfield, SD 57062

605-369-6000

RUSH-CO

TITLE: **ROUNDED END FRAME DETAIL SHEET**

DRAWN BY: RML DATE: 4/10/2014

ENGINEER: CWS DATE: 10/10/2016

SCALE: 1/1

SHEET: 1/1

PART NO: F-135

SIZE: C