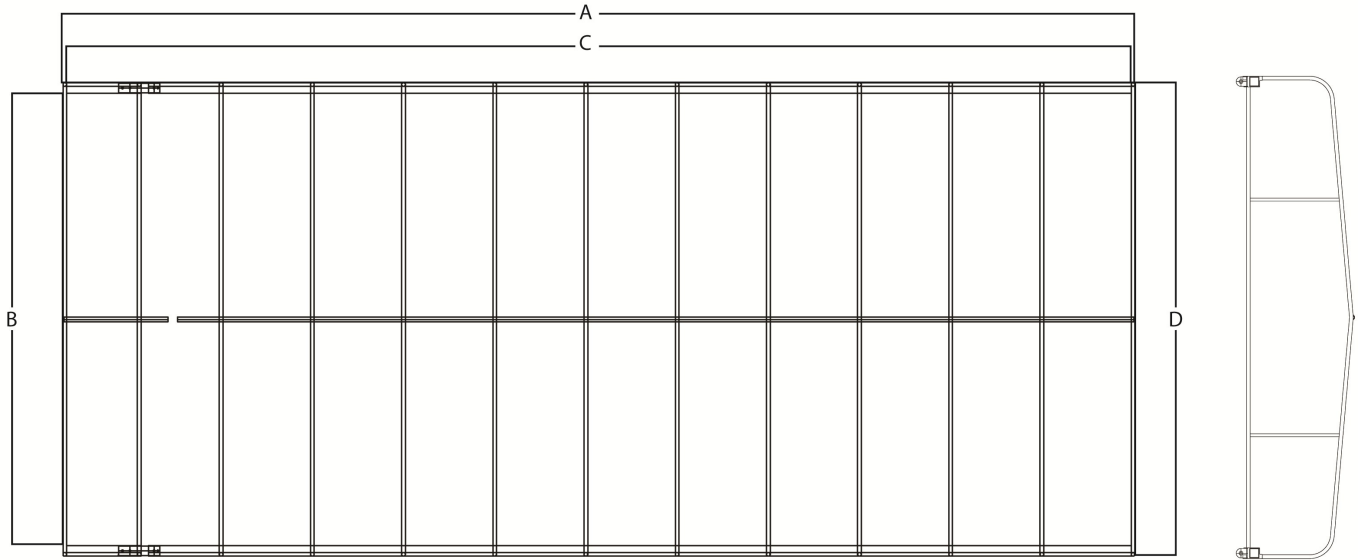


Attn: _____



**Max Docks Tower Frame
 Specification Sheet**



***ALL MEASUREMENTS (±1")**

| PART NO. | SIZE | OVERALL LENGTH "A" | INSIDE WIDTH "B" | SIDE RAIL LENGTH "C" | OUTSIDE WIDTH "D" |
|------------|------------|--------------------|------------------|----------------------|-------------------|
| MXT1600052 | 16' X 52" | 16' | 52" | 15' 10" | 57 1/2" |
| MXT1400088 | 14' X 88" | 14' | 87 1/2" | 13' 10" | 93" |
| MXT1600088 | 16' X 88" | 16' | 87 1/2" | 15' 10" | 93" |
| MXT1800088 | 18' X 88" | 18' | 87 1/2" | 17' 10" | 93" |
| MXT2000088 | 20' X 88" | 20' | 87 1/2" | 19' 10" | 93" |
| MXT1800108 | 18' X 108" | 18' | 108" | 17' 10" | 113 3/4" |
| MXT2000108 | 20' X 108" | 20' | 108" | 19' 10" | 113 3/4" |
| MXT2200108 | 22' X 108" | 22' | 108" | 21' 10" | 113 3/4" |
| MXT2400108 | 24' X 108" | 24' | 108" | 23' 10" | 113 3/4" |
| MXT2600108 | 26' X 108" | 26' | 108" | 25' 10" | 113 3/4" |
| MXT2800108 | 28' X 108" | 28' | 108" | 27' 10" | 113 3/4" |
| MXT3000108 | 30' X 108" | 30' | 108" | 29' 10" | 113 3/4" |
| MXT1800122 | 18' X 122" | 18' | 121 1/2" | 17' 10" | 127" |
| MXT2000122 | 20' X 122" | 20' | 121 1/2" | 19' 10" | 127" |
| MXT2200122 | 22' X 122" | 22' | 121 1/2" | 21' 10" | 127" |
| MXT2400122 | 24' X 122" | 24' | 121 1/2" | 23' 10" | 127" |
| MXT2600122 | 26' X 122" | 26' | 121 1/2" | 25' 10" | 127" |
| MXT2800122 | 28' X 122" | 28' | 121 1/2" | 27' 10" | 127" |
| MXT3000122 | 30' X 122" | 30' | 121 1/2" | 29' 10" | 127" |
| MXT3200122 | 32' X 122" | 32' | 121 1/2" | 31' 10" | 127" |
| MXT2800144 | 28' X 144" | 28' | 144" | 27' 10" | 149 1/2" |
| MXT3000144 | 30' X 144" | 30' | 144" | 29' 10" | 149 1/2" |
| MXT3200144 | 32' X 144" | 32' | 144" | 31' 10" | 149 1/2" |
| MXT3400144 | 34' X 144" | 34' | 144" | 33' 10" | 149 1/2" |

ATTACHMENT

Continuous bungee is strung through d-rings and hooked to aluminum flat bar via s-hooks.

*VALANCE: 24" VALANCE
 MXT valances are not covered under warranty

OUTSIDE DIMENSIONS

- A _____ OVERALL LENGTH OF FRAME
- B _____ INSIDE WIDTH OF FRAME
- C _____ LENGTH OF SIDE RAILS
(W/O ENDS)
- D _____ OUTSIDE WIDTH OF FRAME

CONTACT INFORMATION

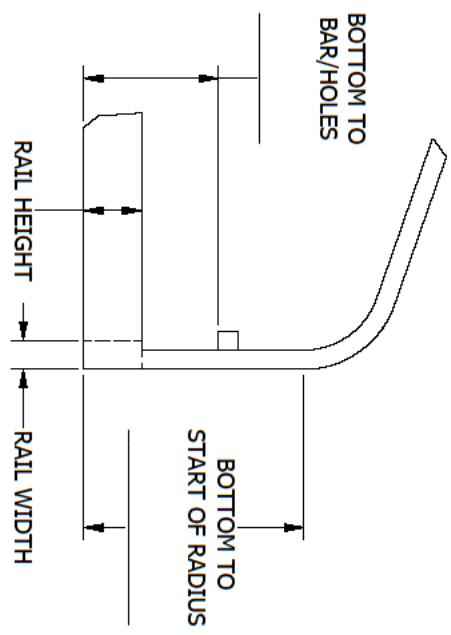
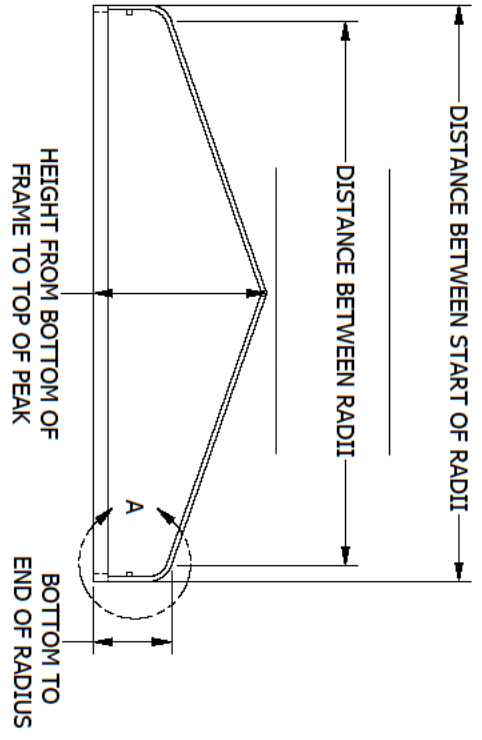
Name _____
 Address _____
 City _____ State _____ Zip _____
 Phone _____ Fax _____
 Boat Lift Brand _____

NOTES

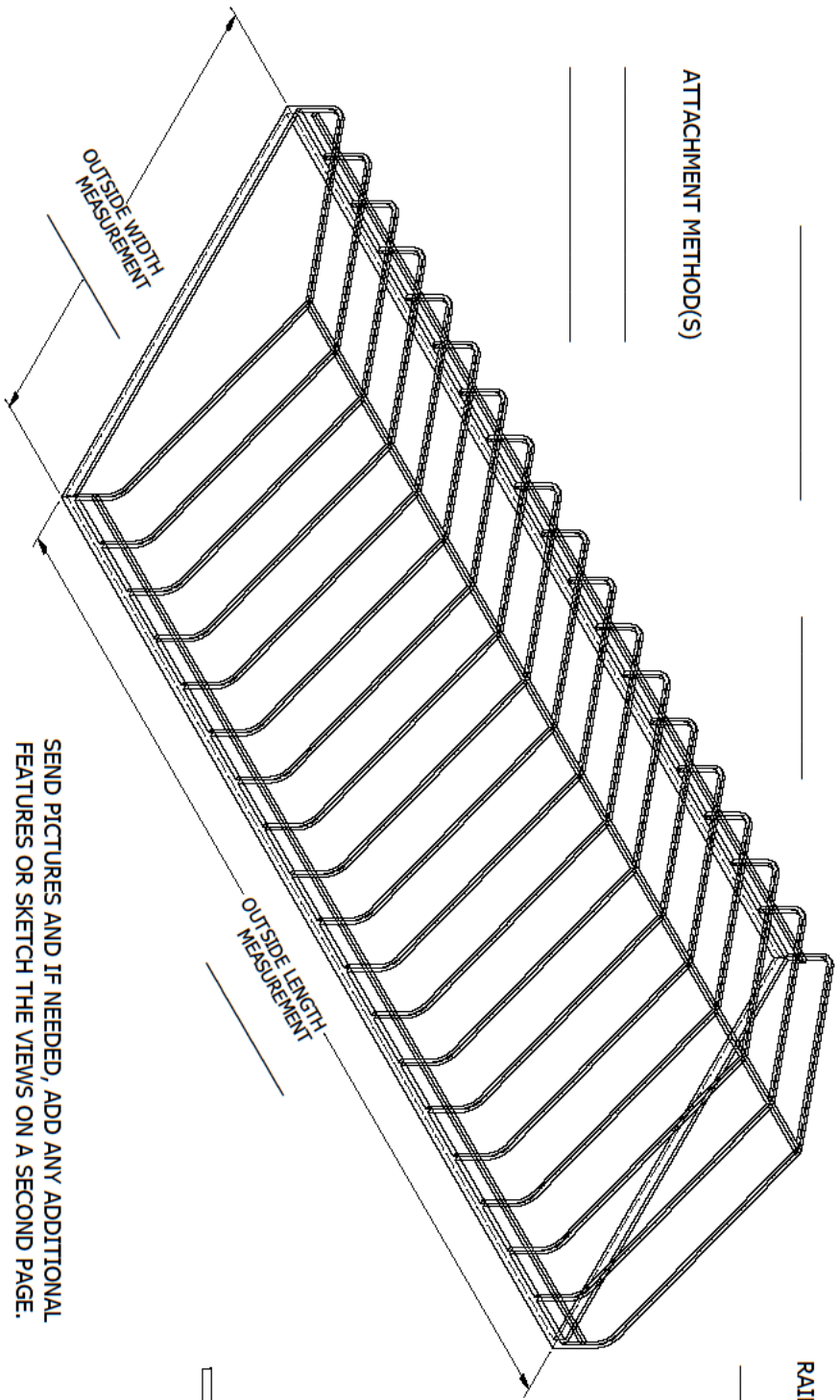
****If dimensions don't match above,
 fill out detail sheet on page 2****

| REV | ECN | DATE | DESCRIPTION | ISSUER |
|-----|----------|-----------|-------------|--------|
| A | EC-00469 | 10/4/2016 | RELEASE | RML |

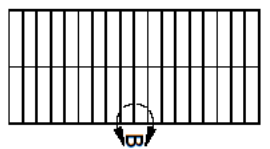
REVISIONS



ATTACHMENT METHOD(S)

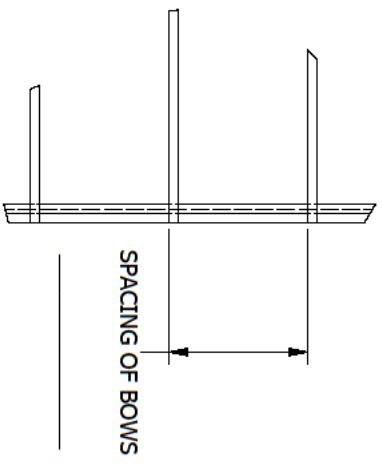


TOTAL NUMBER OF BOWS



SEND PICTURES AND IF NEEDED, ADD ANY ADDITIONAL FEATURES OR SKETCH THE VIEWS ON A SECOND PAGE.

DETAIL B



TOLERANCES - UNLESS NOTED

DECIMAL F. FRACTION F. ANGLE F.

RUSH-CO

1314 Walnut St. - Springfield, SD 57062 605-369-6000

DRFT: RML DATE: 10/4/2016 SCALE: SHEET: 1 OF 1 PART NO: F-133

ENGR: CWG DATE: 10/10/2016

TITLE: PEAKED FLUSHED END FRAME DETAIL SHEET

SIZE: C