

Attn: _____



Newmans Frame Detail Sheet

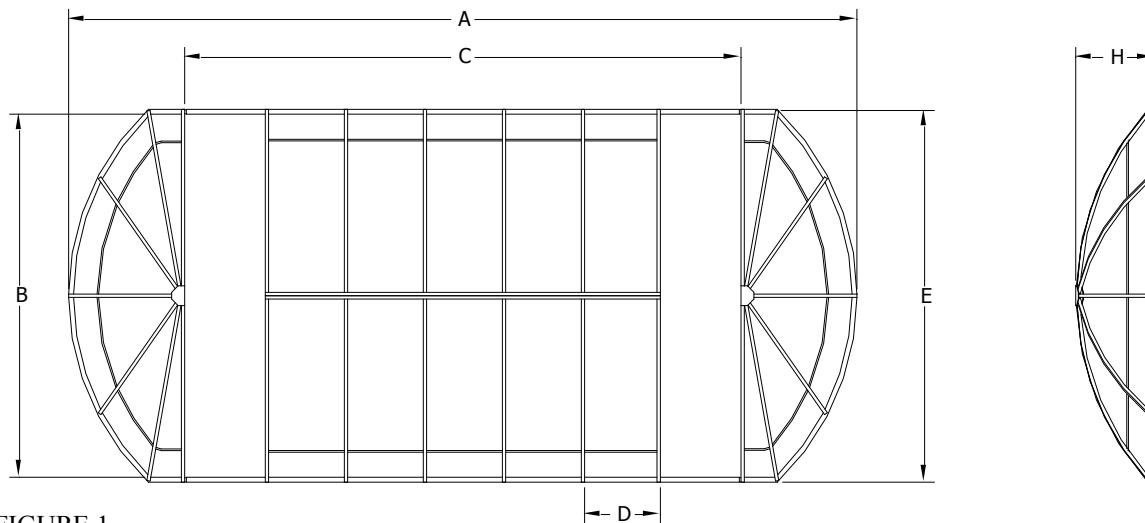


FIGURE 1

***ALL MEASUREMENTS (±1")**

PART NO.	SIZE	OVERALL LENGTH "A"	INSIDE WIDTH "B"	SIDE RAIL LENGTH "C"	OUTSIDE WIDTH "E"
NM1200054	12' X 54"	12' 1/2"	56 1/4"		59 1/4"
NM2000084	20' X 84"	20' 1/2"	86 1/4"	14'	89 1/4"
NM2000096	22' X 96"	22' 1/2"	98 1/4"	16'	101 1/4"
NM2400096	24' X 96"	24' 1/2"	98 1/4"	18'	101 1/4"
NM2000108	20' X 108"	20' 1/2"	110 1/4"	14'	113 1/4"
NM2400108	24' X 108"	24' 1/2"	110 1/4"	18'	113 1/4"
NM2400120	24' X 120"	24' 1/2"	123 1/2"	18'	126 1/2"
NM2800120	28' X 120"	28' 1/2"	123 1/2"	22'	126 1/2"

ATTACHMENT

Hooked bungee connects to aluminum bar welded across bows.

OUTSIDE DIMENSIONS (See Figure 1)

- A _____ OVERALL LENGTH OF FRAME
- B _____ INSIDE WIDTH OF FRAME
- C _____ LENGTH OF SIDE RAILS (W/O ENDS)
- D _____ BOW SPACING
- E _____ OUTSIDE WIDTH OF FRAME
- H _____ HEIGHT
- _____ COLOR CODE

CONTACT INFORMATION

Name _____
 Address _____
 City _____ State ____ Zip _____
 Phone _____ Fax _____
 Boat Lift Brand _____

NOTES

