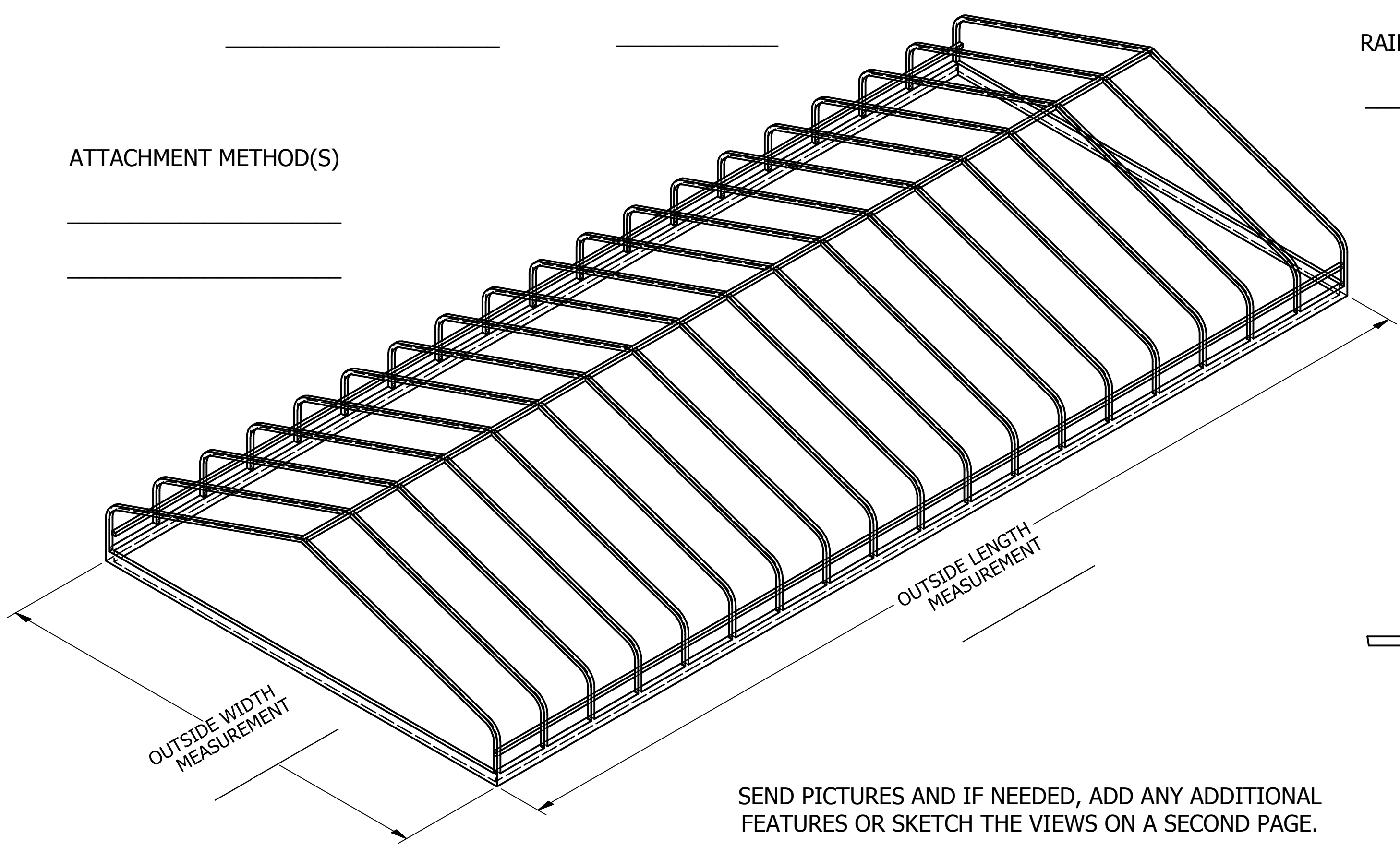
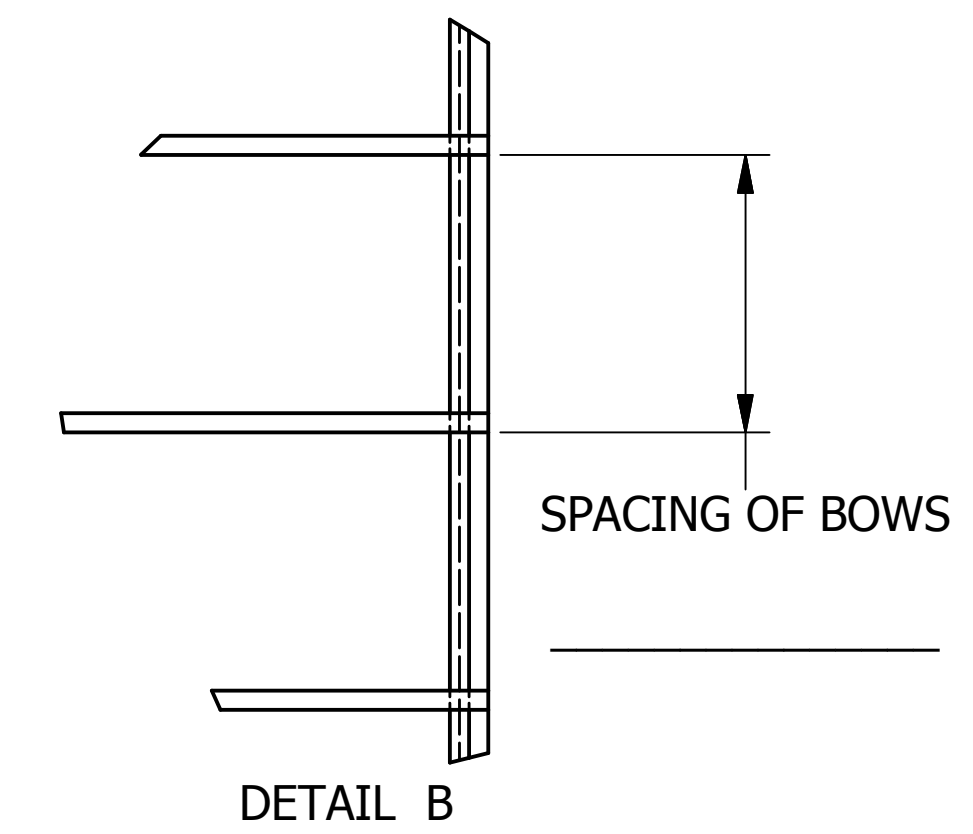
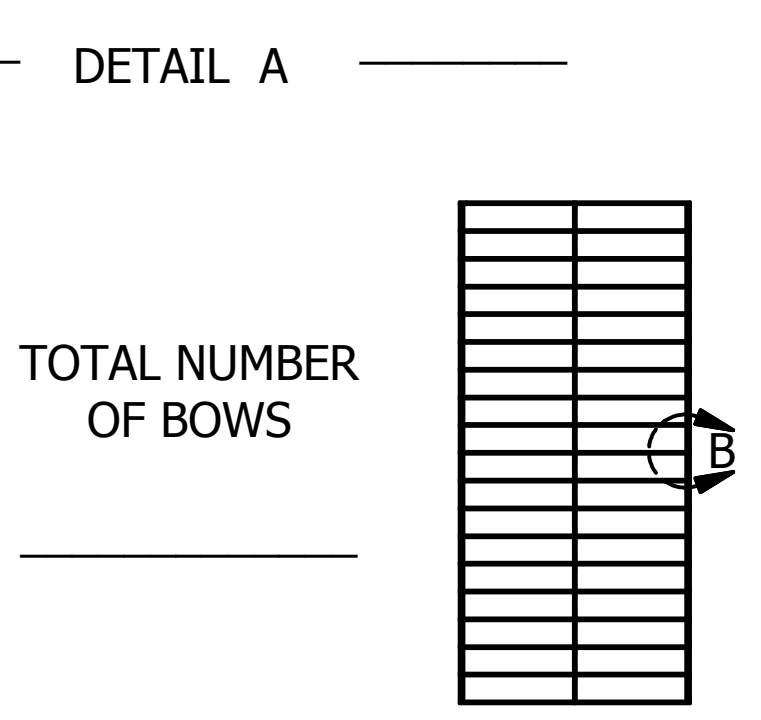
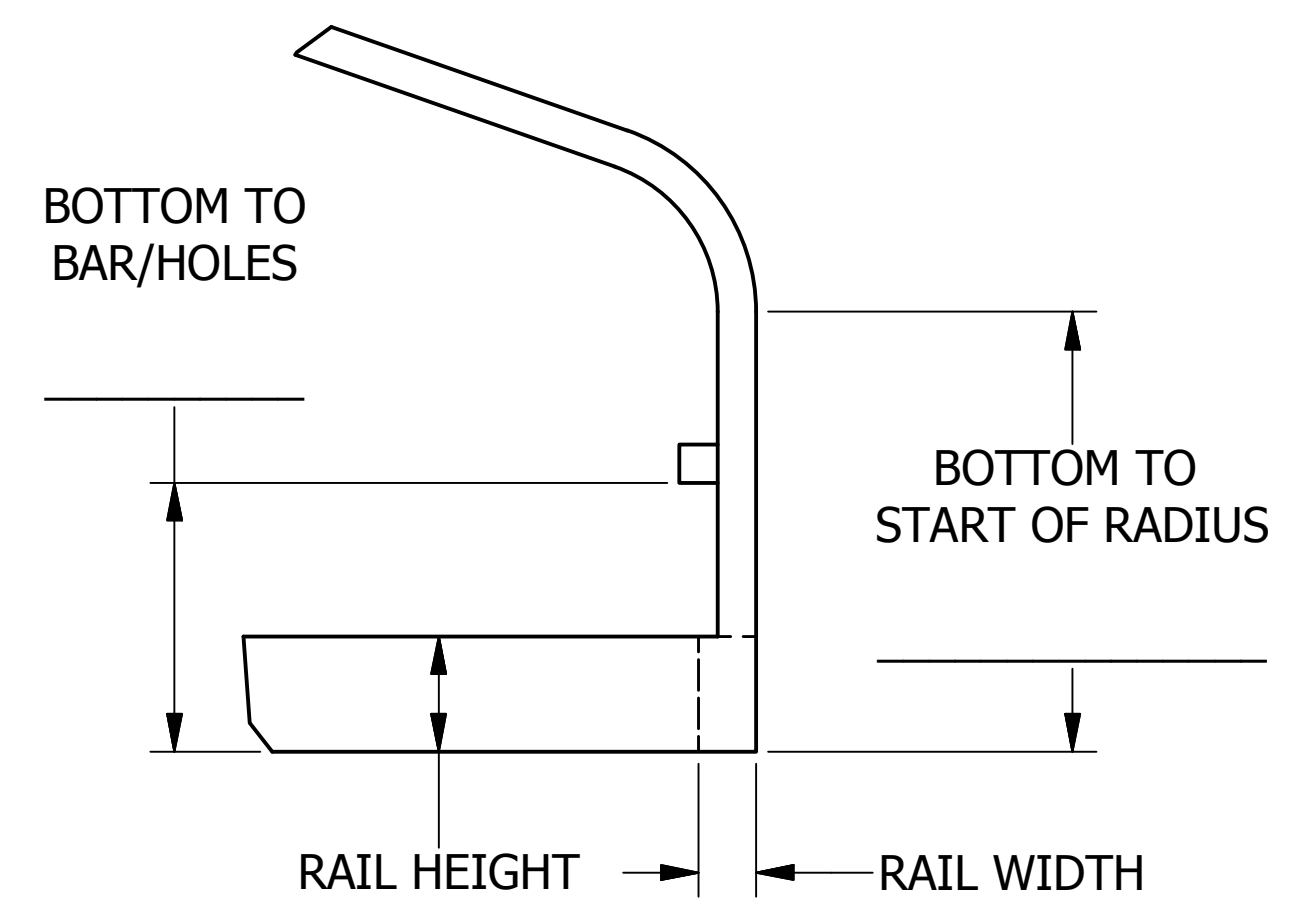
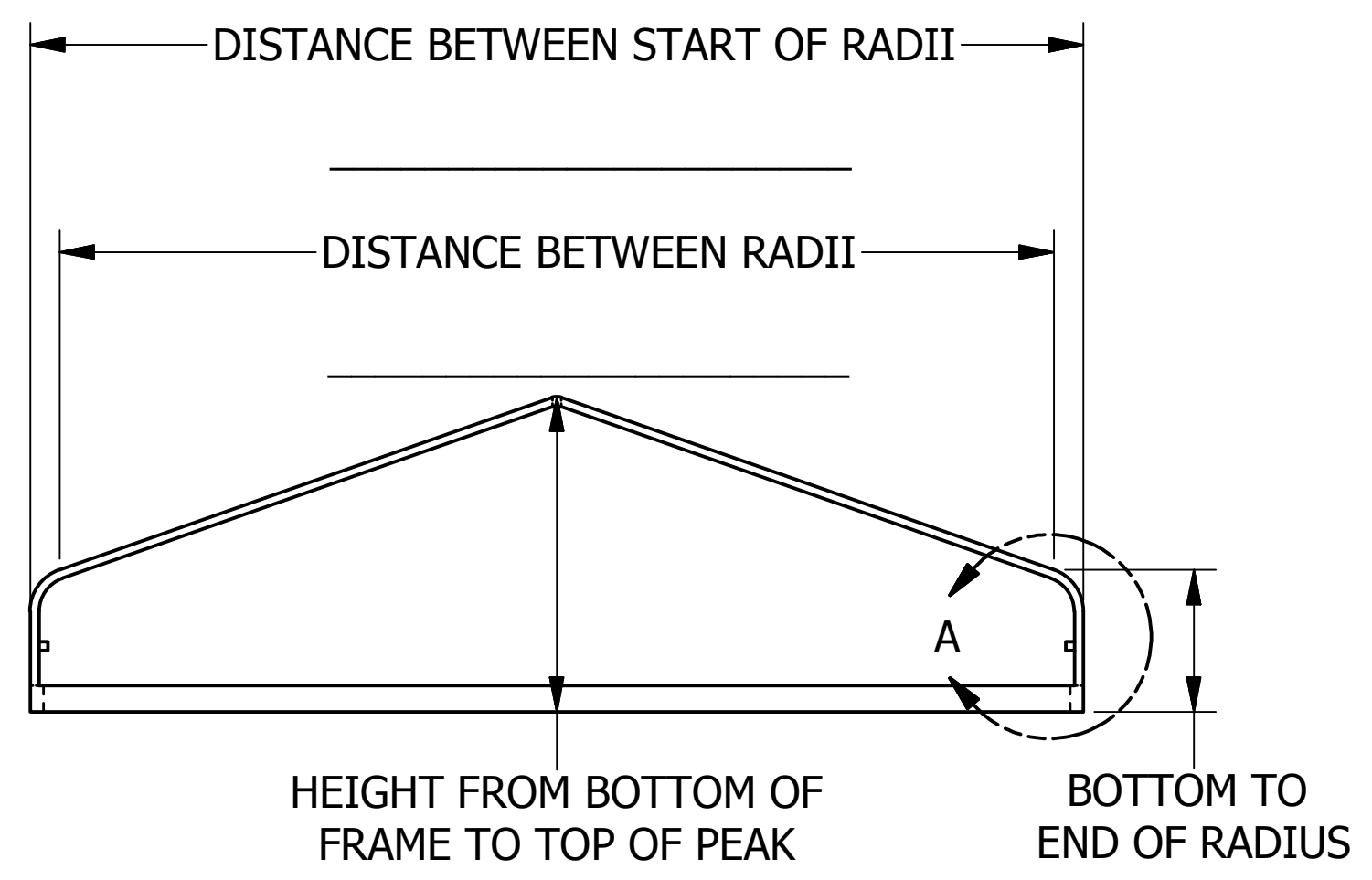


REVISIONS				
REV	ECN	DATE	DESCRIPTION	ISSUER
A	EC-00469	10/4/2016	RELEASE	RML



SEND PICTURES AND IF NEEDED, ADD ANY ADDITIONAL FEATURES OR SKETCH THE VIEWS ON A SECOND PAGE.

TOLERANCES - UNLESS NOTED DECIMAL ± FRACTION ± ANGLE ± NOTICE THIS ILLUSTRATION IS THE PROPERTY OF RUSH-CO, AND MUST NOT BE USED IN ANY WAY DETRIMENTAL TO RUSH-CO'S INTERESTS.		TITLE: PEAKED FLUSHED END FRAME DETAIL SHEET			SIZE C
		1314 Walnut St. - Springfield, SD 57062 605-369-6000 DRFT: RML DATE: 10/4/2016 SCALE: SHEET: 1/1 PART NO.: F-133 ENGR: CWG DATE: 10/10/2016			