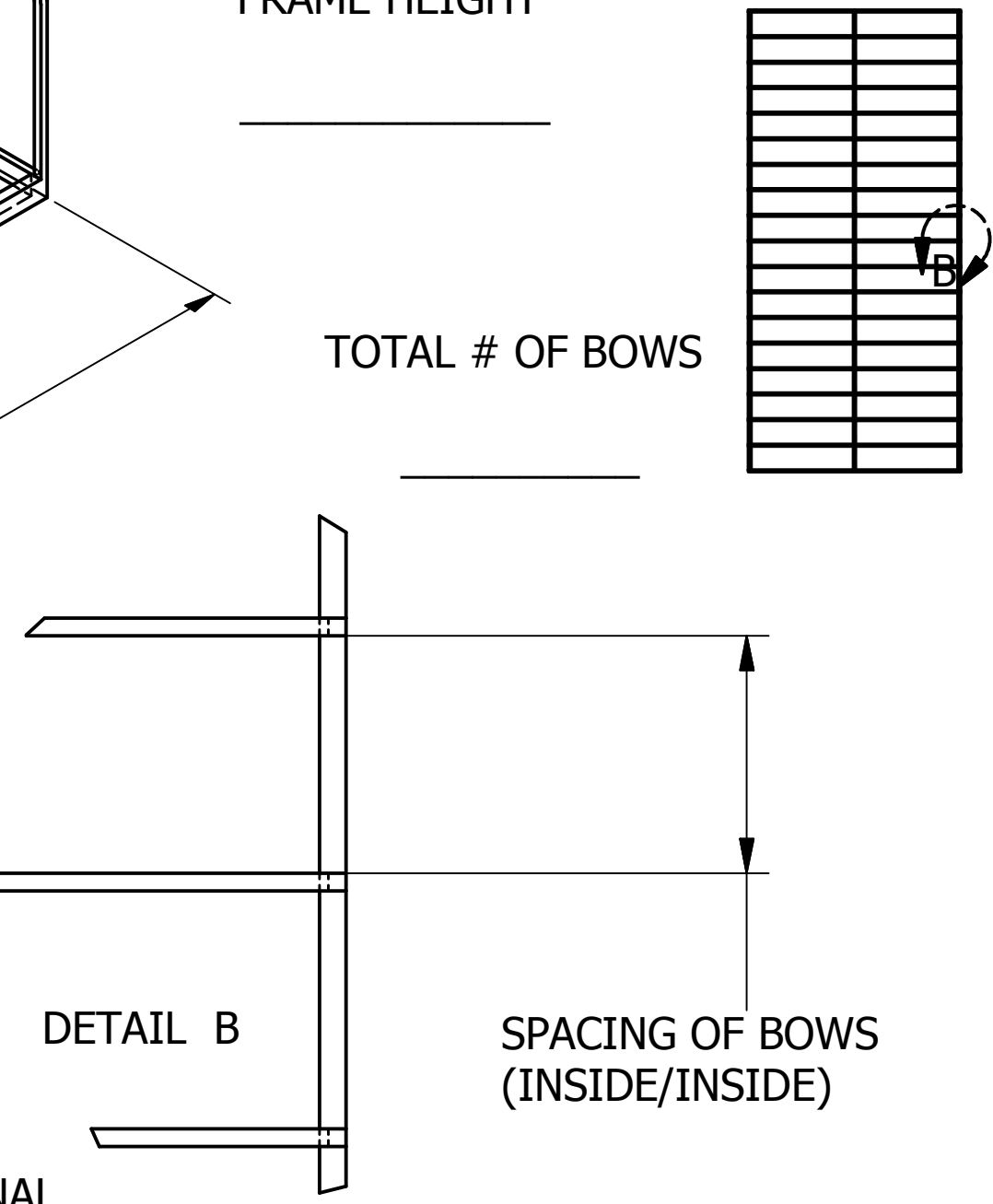
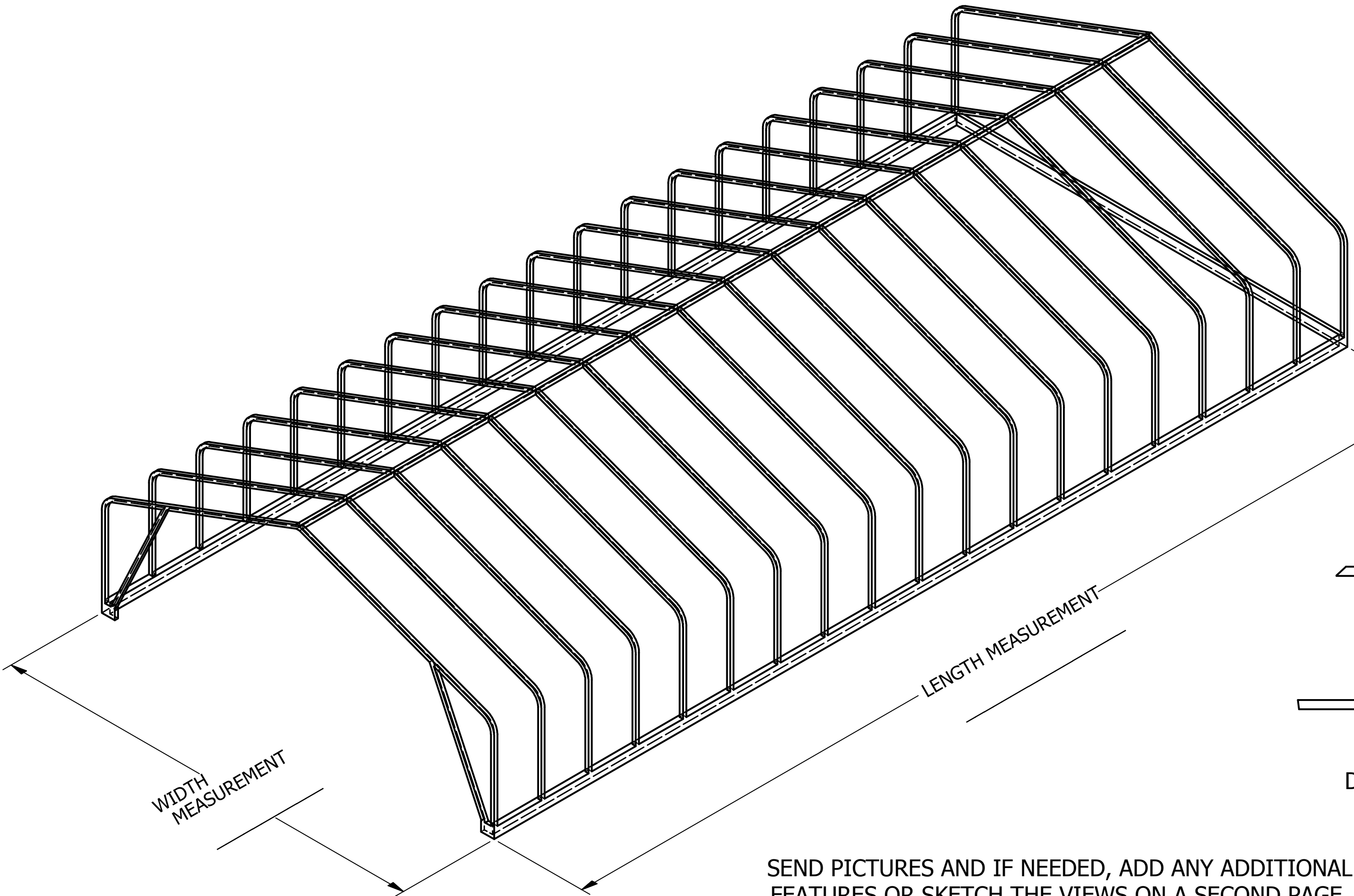
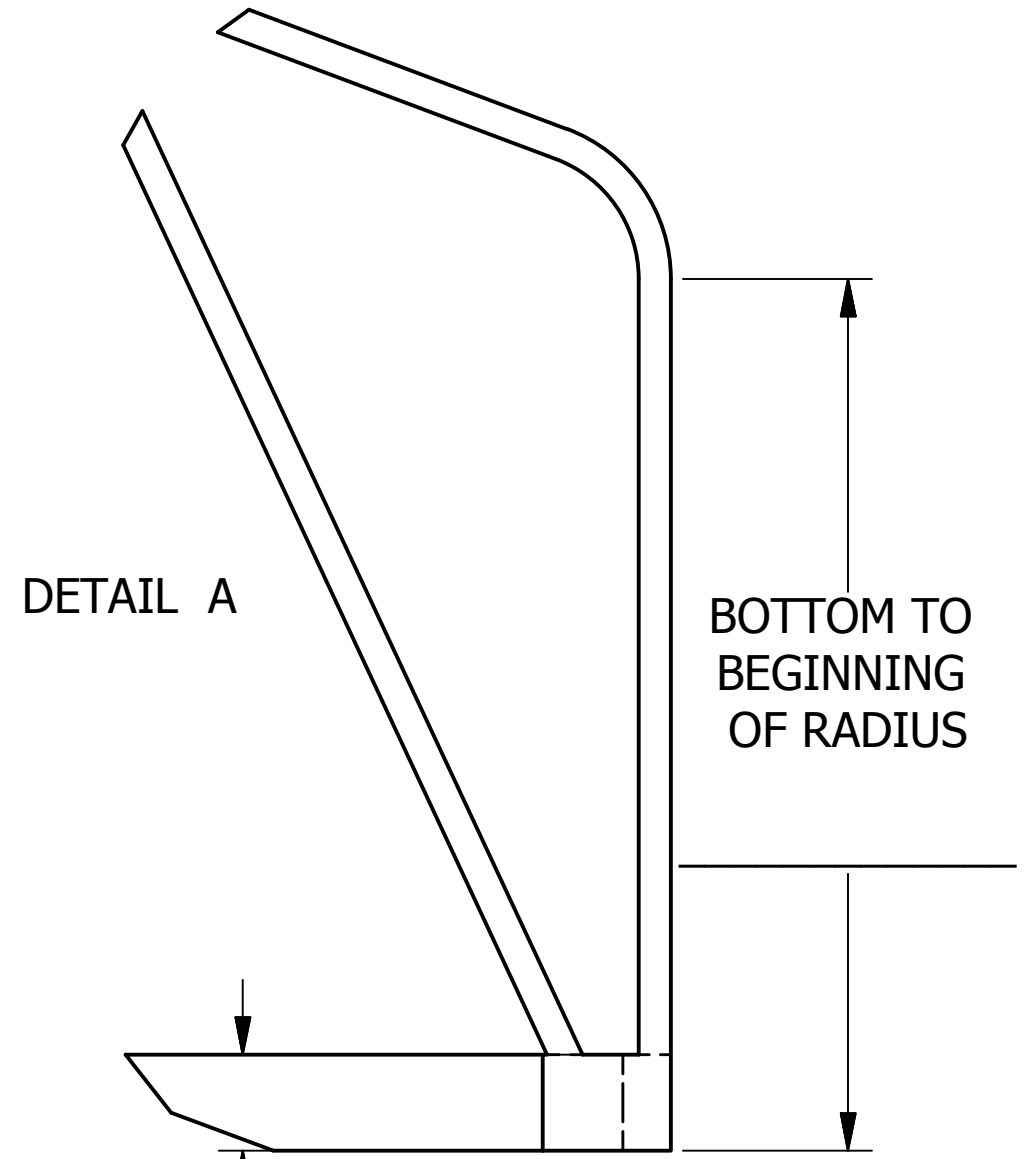
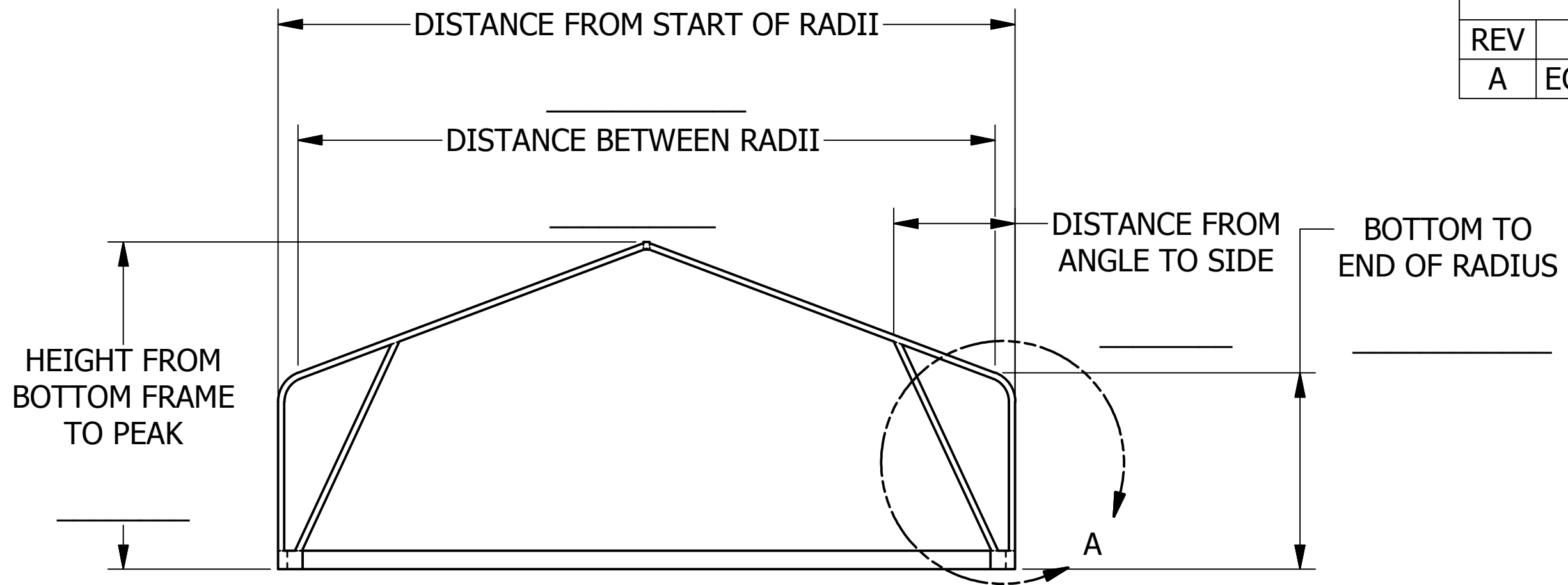


REVISIONS				
REV	ECN	DATE	DESCRIPTION	ISSUER
A	EC-00469	10/4/2016	RELEASE	RML



SEND PICTURES AND IF NEEDED, ADD ANY ADDITIONAL FEATURES OR SKETCH THE VIEWS ON A SECOND PAGE.

TOLERANCES - UNLESS NOTED
DECIMAL ±
FRACTION ±
ANGLE ±
NOTICE THIS ILLUSTRATION IS THE PROPERTY OF RUSH-CO, AND MUST NOT BE USED IN ANY WAY DETRIMENTAL TO RUSH-CO'S INTERESTS.



1314 Walnut St. - Springfield, SD 57062 605-369-6000

TITLE: PEAKED TOWER FRAME DETAIL SHEET		SIZE C
DRFT: RML	DATE 11/20/2015	SCALE
ENGR: CWG	DATE 10/10/2016	SHEET 1 / 1
PART NO: F-139		