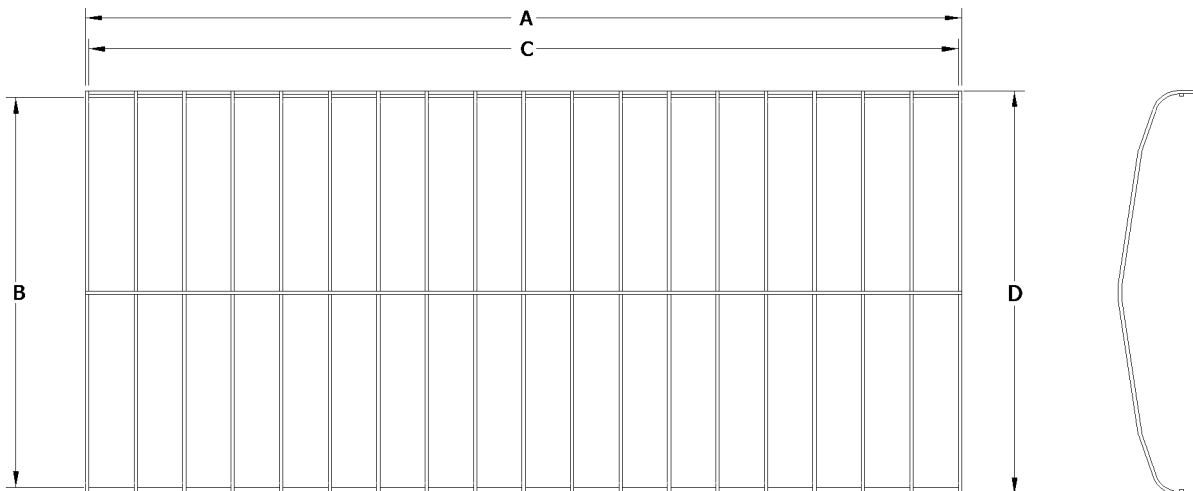


Attn: _____



**Porta-Dock® Frame
 Specification Sheet**



***ALL MEASUREMENTS (±1")**

PART NO.	SIZE	OVERALL LENGTH "A"	INSIDE WIDTH "B"	SIDE RAIL LENGTH "C"	OUTSIDE WIDTH "D"
PD2000084	20' X 84"	20'	84"	19' 8"	88 1/2"
PD2000096	20' X 96"	20'	96"	19' 8"	100 1/2"
PD2200096	22' X 96"	22'	96"	21' 8"	100 1/2"
PD2200114	22' X 114"	22'	114"	21' 8"	118 1/2"
PD2400114	24' X 114"	24'	114"	23' 8"	118 1/2"
PD2600114	26' X 114"	26'	114"	25' 8"	118 1/2"
PD2800114	28' X 114"	28'	114"	27' 8"	118 1/2"
PD3000114	30' X 114"	30'	114"	29' 8"	118 1/2"
PD2200120	22' X 120"	22'	120"	21' 8"	125 1/2"
PD2400120	24' X 120"	24'	120"	23' 8"	125 1/2"
PD2600120	26' X 120"	26'	120"	25' 8"	125 1/2"
PD2800120	28' X 120"	28'	120"	27' 8"	125 1/2"
PD3000120	30' X 120"	30'	120"	29' 8"	125 1/2"

ATTACHMENT

Continuous Bungee with S-hooks

STANDARD VALANCE: 12" VALANCE

OUTSIDE DIMENSIONS

- A _____ OVERALL LENGTH OF FRAME
- B _____ INSIDE WIDTH OF FRAME
- C _____ LENGTH OF SIDE RAILS (W/O ENDS)
- D _____ OUTSIDE WIDTH OF FRAME

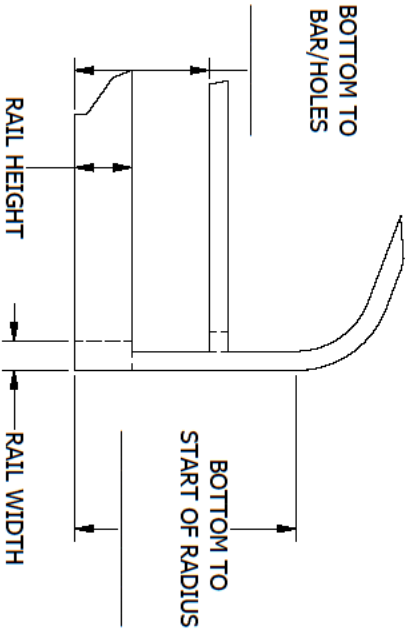
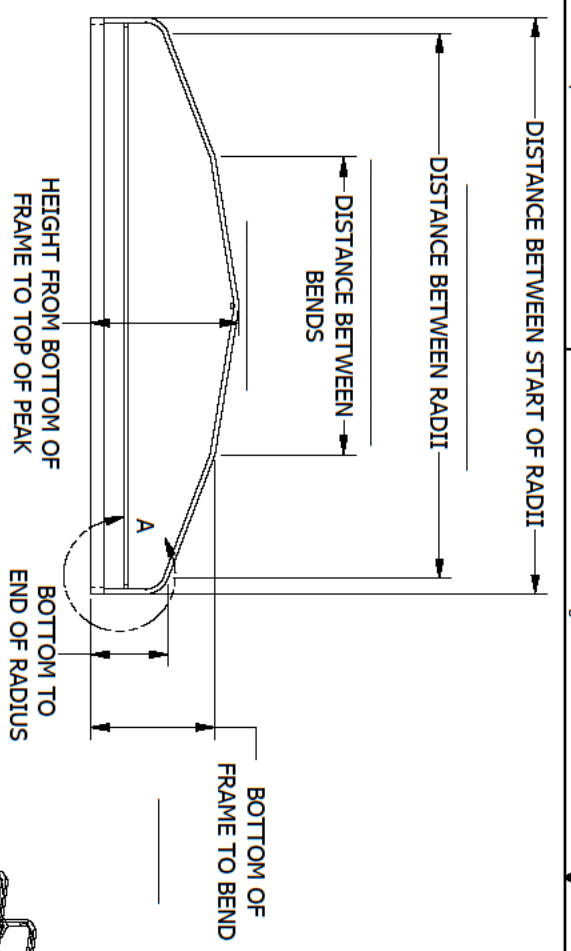
****If dimensions don't match above,
 fill out detail sheet on page 2****

CONTACT INFORMATION

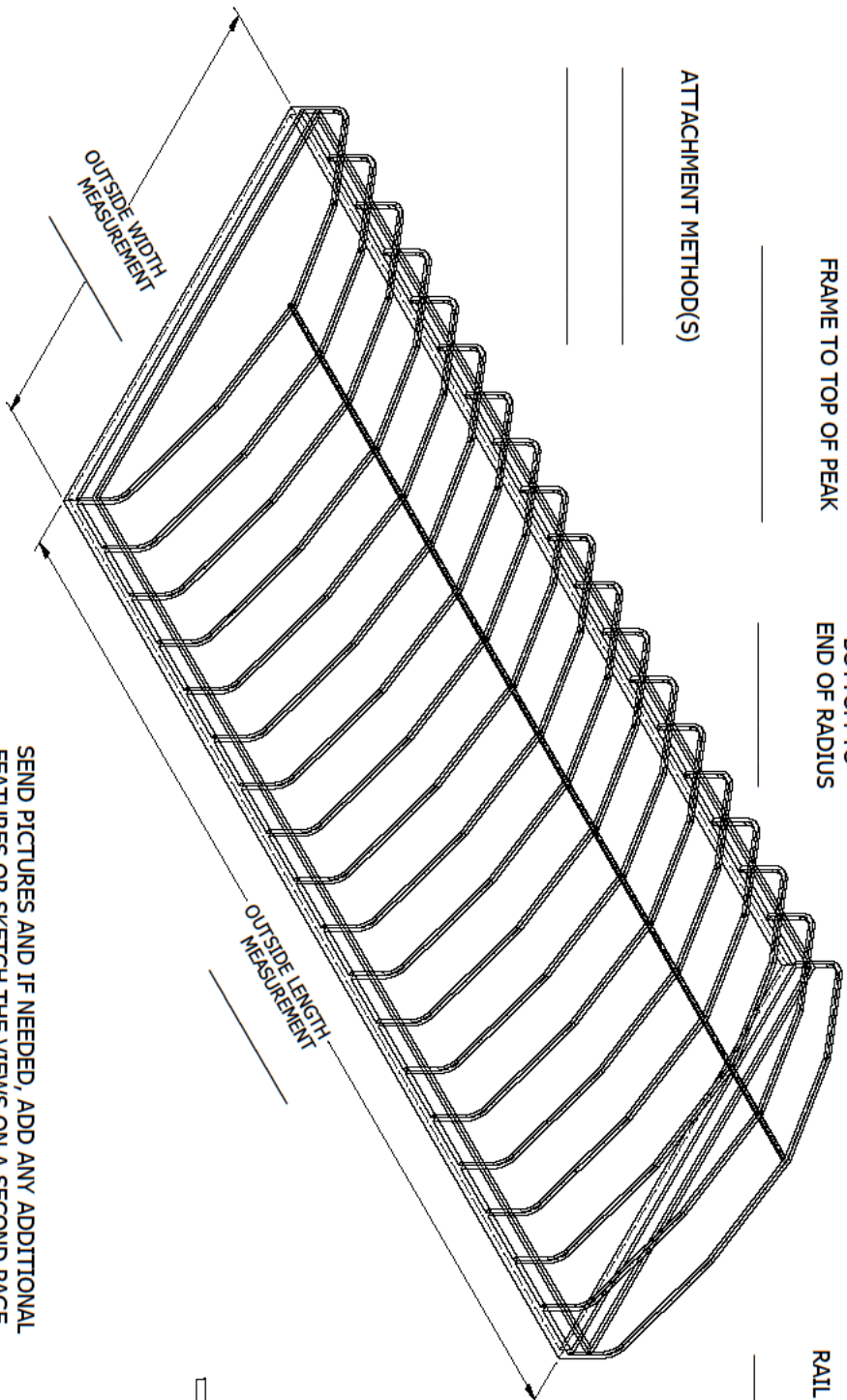
Name _____
 Address _____
 City _____ State _____ Zip _____
 Phone _____ Fax _____
 Boat Lift Brand _____

NOTES

REVISIONS				ISSUER
REV	ECN	DATE	DESCRIPTION	RML
A	EC-00469	10/3/2016	RELEASE	RML



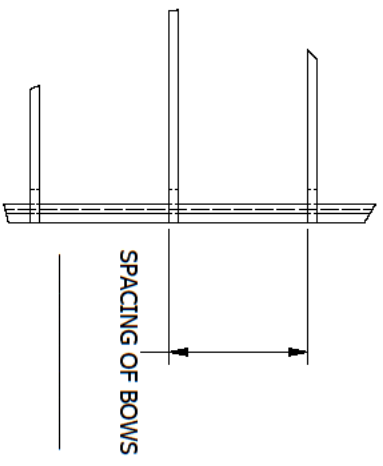
ATTACHMENT METHOD(S)



TOTAL NUMBER OF BOWS



DETAIL B



SEND PICTURES AND IF NEEDED, ADD ANY ADDITIONAL FEATURES OR SKETCH THE VIEWS ON A SECOND PAGE.

TOLERANCES - UNLESS NOTED

DECIMAL F. FRACTION F. ANGLE F.

RUSH-CO

1314 Walnut St. - Springfield, SD 57062 605-369-6000

GAMBREL FRAME DETAIL SHEET

DRAWN: RML DATE: 10/4/2016 SCALE: 1/1 SHEET: 1/1 PART NO: F-142

ENGINEER: CWG DATE: 10/10/2016

SIZE: C

NOTICE THIS ILLUSTRATION IS THE PROPERTY OF RUSH-CO. AND MUST NOT BE USED IN ANY WAY DETRIMENTAL TO RUSH-CO'S INTERESTS.