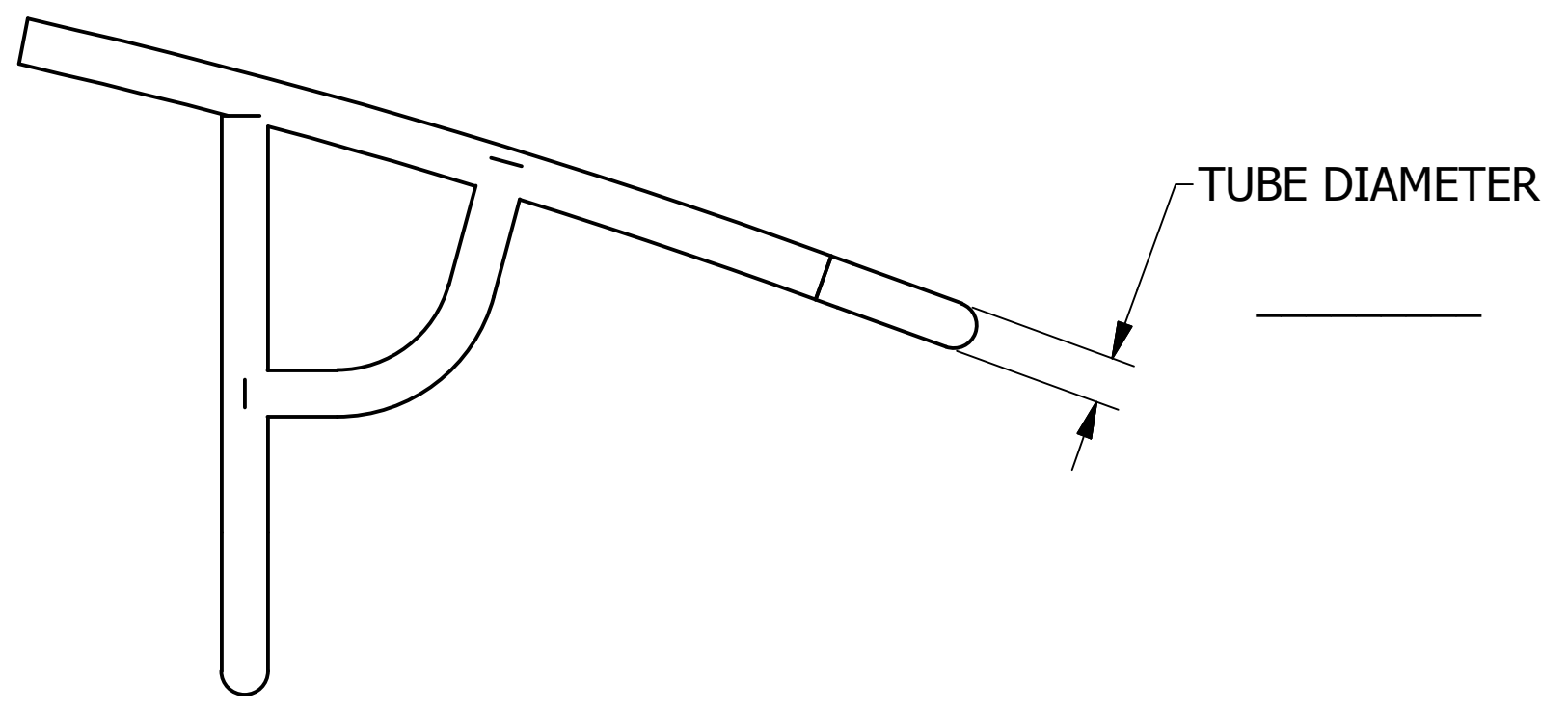
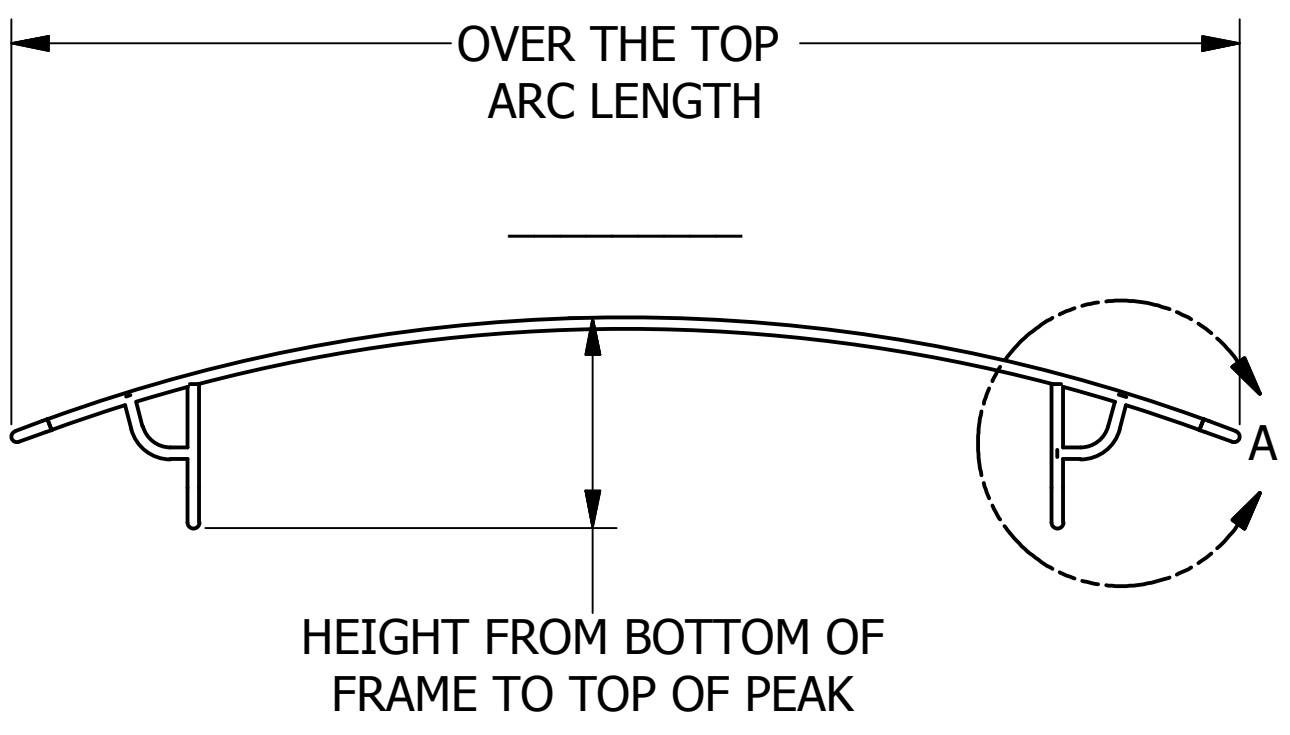
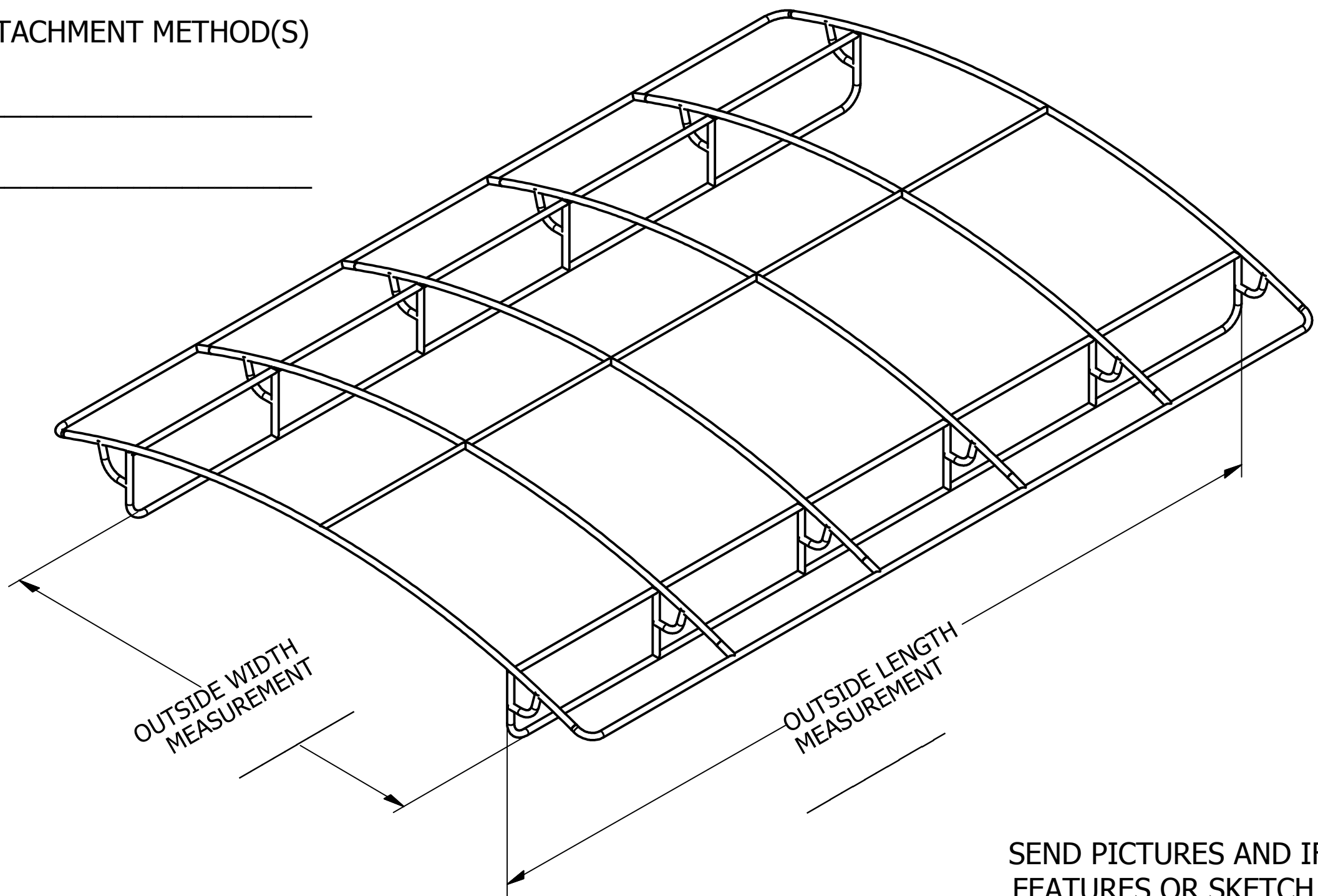
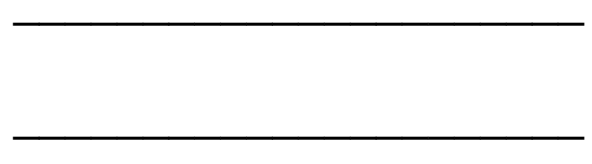


REVISIONS				
REV	ECN	DATE	DESCRIPTION	ISSUER
A	EC-00469	10/4/2016	RELEASE	RML

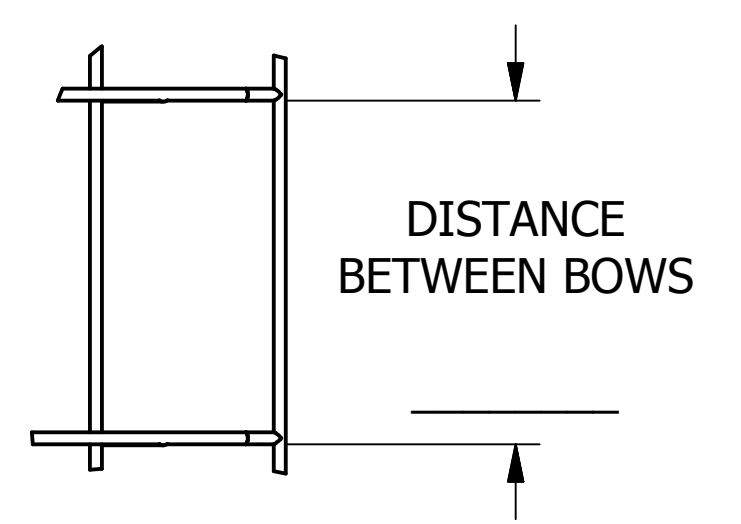
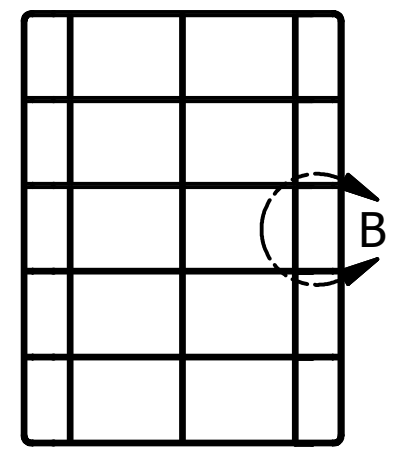


DETAIL A

ATTACHMENT METHOD(S)



TOTAL NUMBER
OF BOWS



DETAIL B

SEND PICTURES AND IF NEEDED, ADD ANY ADDITIONAL
FEATURES OR SKETCH THE VIEWS ON A SECOND PAGE.

TOLERANCES - UNLESS NOTED DECIMAL ± FRACTION ± ANGLE ±		TITLE: RADIUS TOP FRAME DETAIL SHEET			SIZE C
		1314 Walnut St. - Springfield, SD 57062 605-369-6000	DRFT: RML ENGR: CWG	DATE 2/15/2016 DATE 10/10/2016	SCALE
NOTICE THIS ILLUSTRATION IS THE PROPERTY OF RUSH-CO, AND MUST NOT BE USED IN ANY WAY DETRIMENTAL TO RUSH-CO'S INTERESTS.					