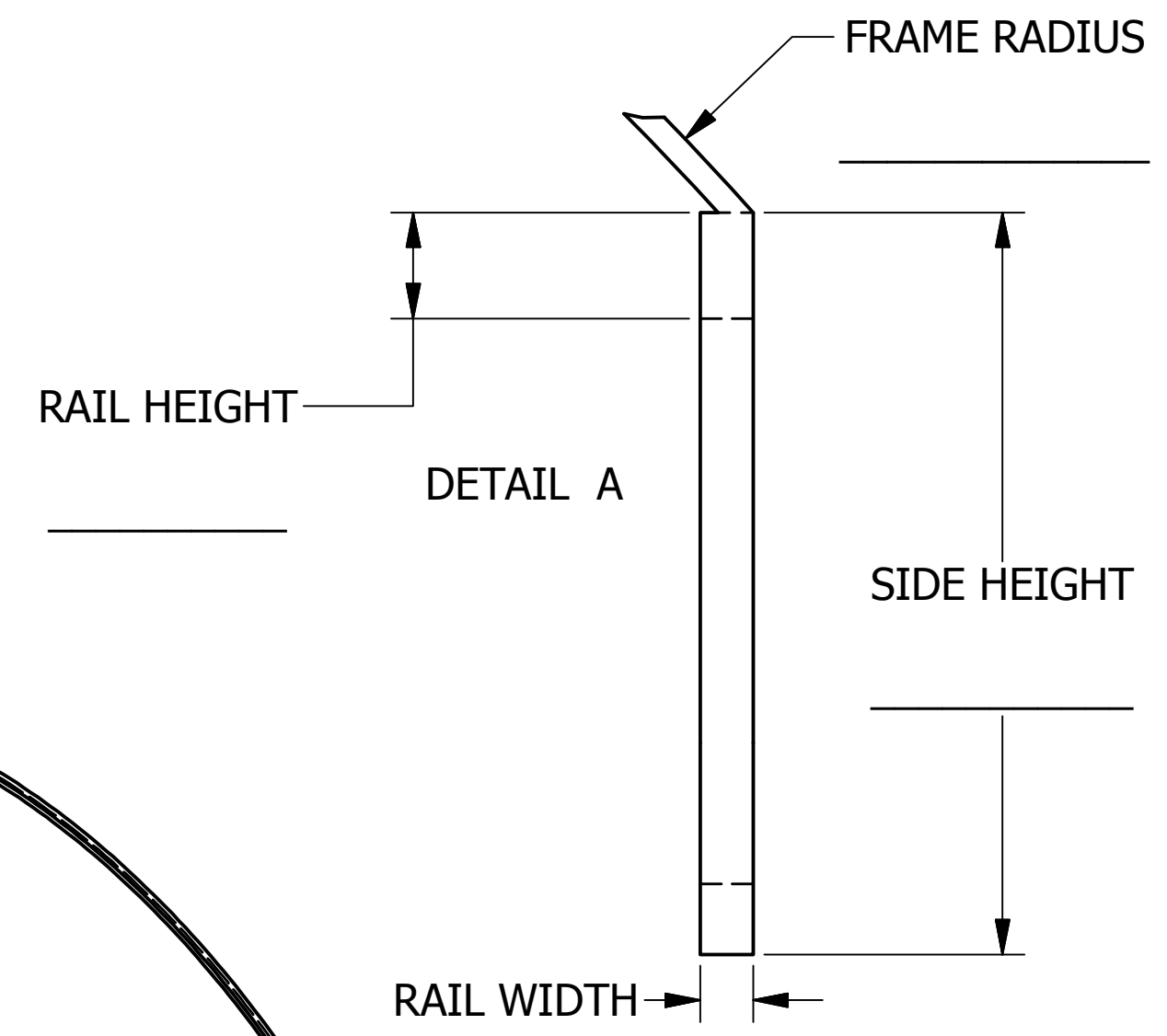
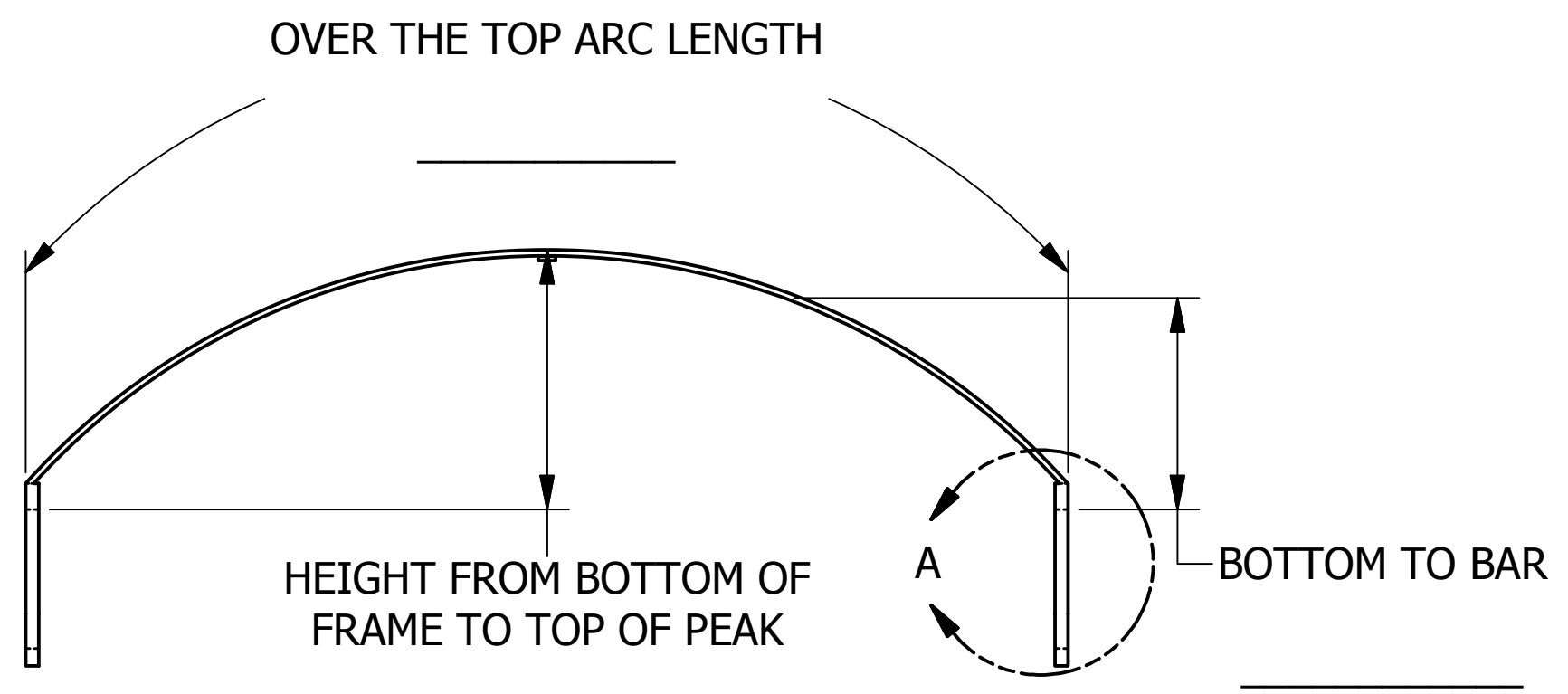
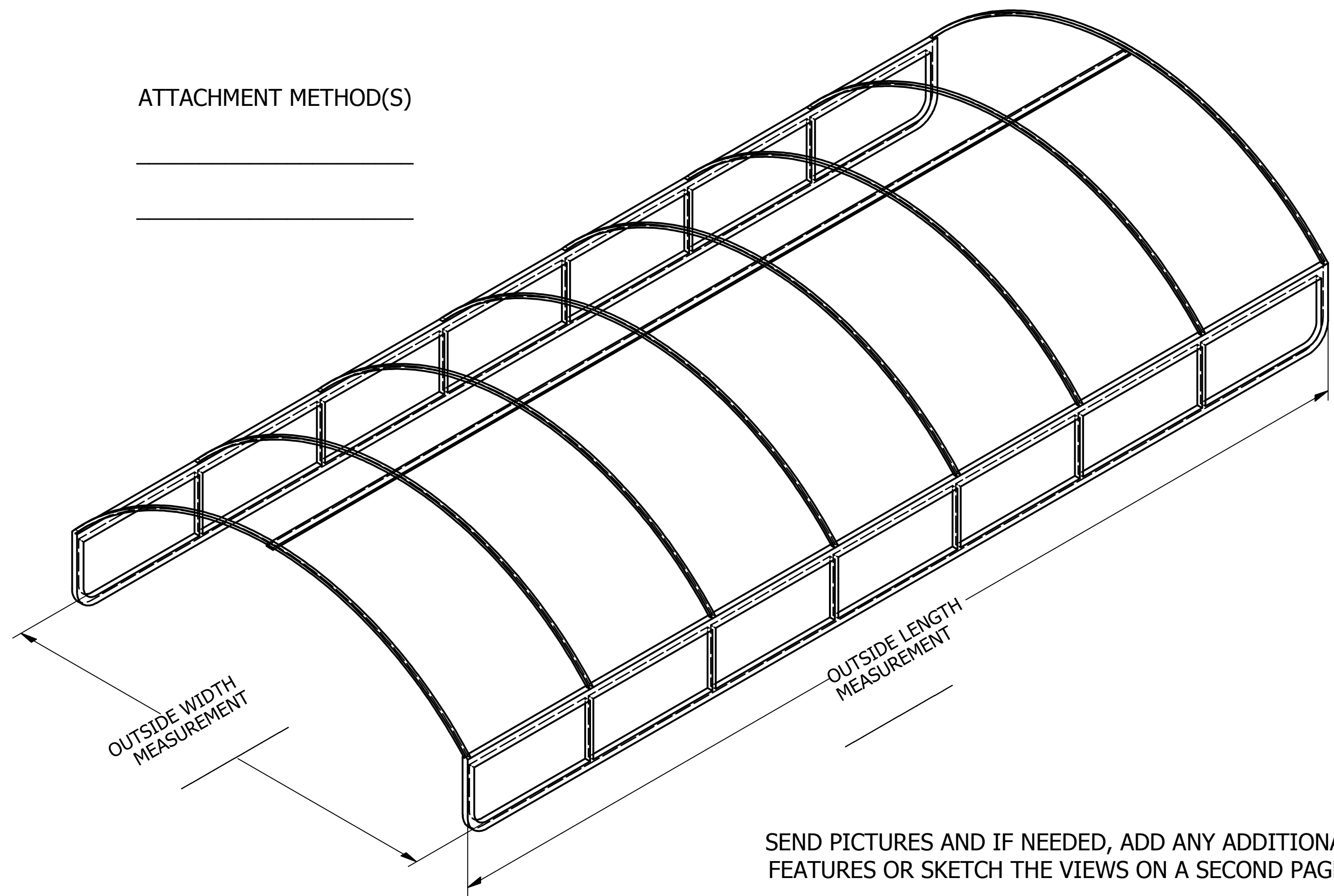
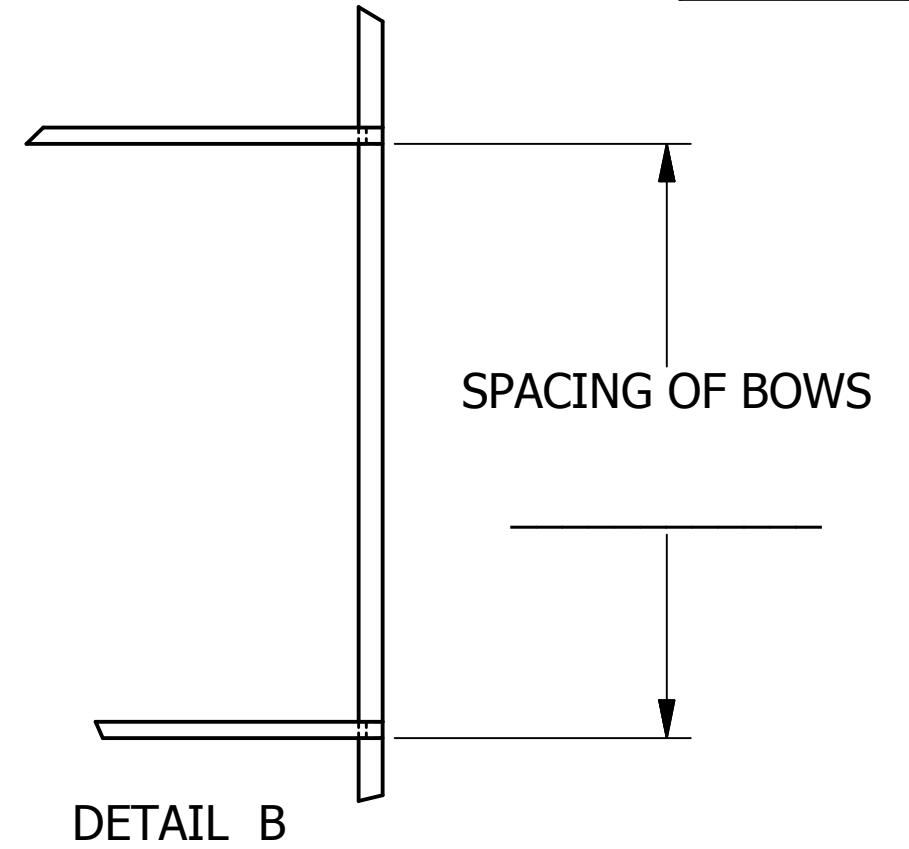
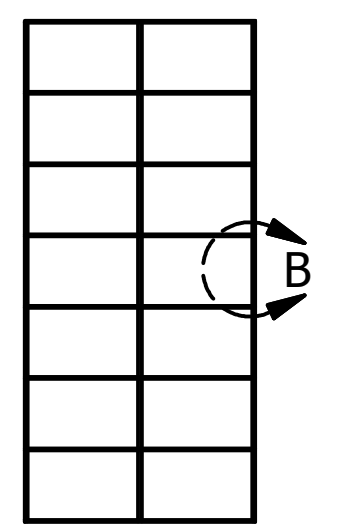


REVISIONS				
REV	ECN	DATE	DESCRIPTION	ISSUER
A	EC-00469	10/4/2016	RELEASE	RML



ATTACHMENT METHOD(S)

TOTAL NUMBER OF BOWS



TOLERANCES - UNLESS NOTED DECIMAL ± FRACTION ± ANGLE ±		TITLE: RADIUS TOP W/DROP FRAME DETAIL SHEET			SIZE C
		1314 Walnut St. - Springfield, SD 57062 605-369-6000	DRFT: RML ENGR: CWG	DATE: 10/4/2016 DATE: 10/10/2016	SCALE: _____ SHEET: 1 PART NO: F-143

NOTICE THIS ILLUSTRATION IS THE PROPERTY OF RUSH-CO, AND MUST NOT BE USED IN ANY WAY DETRIMENTAL TO RUSH-CO'S INTERESTS.