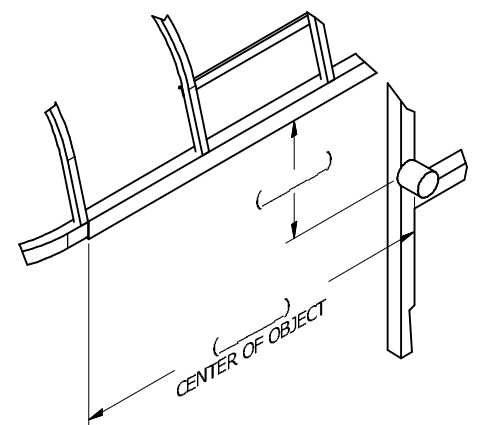
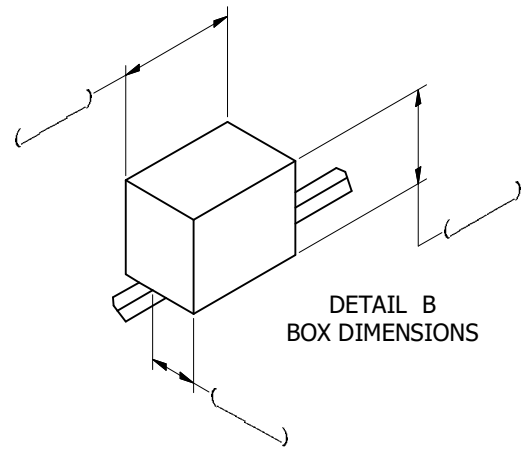


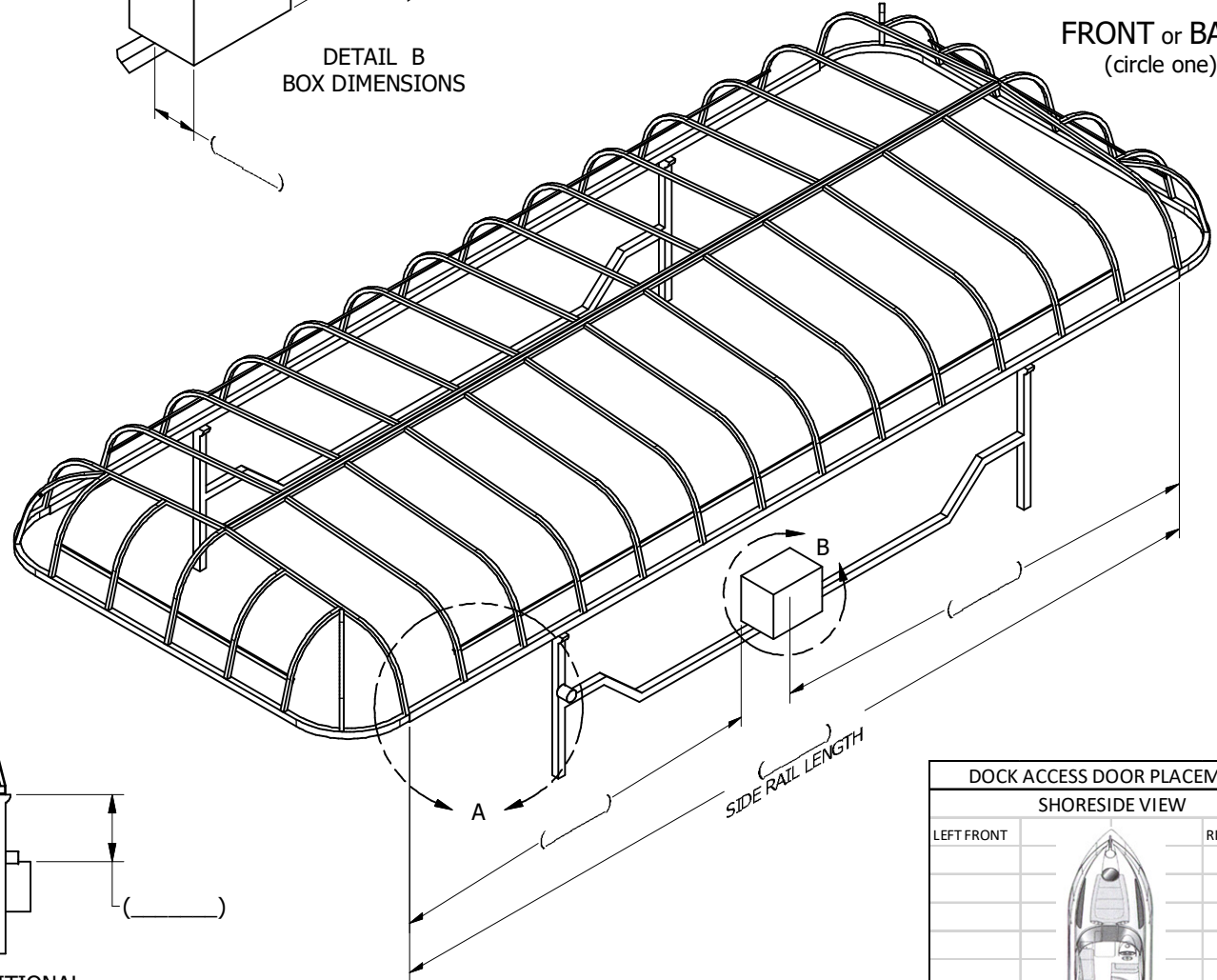
REVISIONS				
REV	ECN	DATE	DESCRIPTION	ISSUER
2	EC-00	5/23/2018		RML



DETAIL A
OTHER PROTRUSION
LOCATION

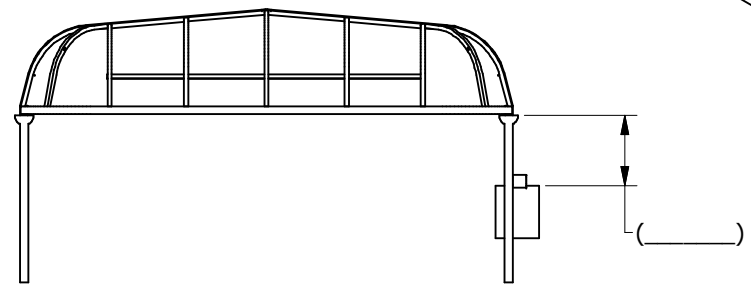


DETAIL B
BOX DIMENSIONS



FRONT or BACK
(circle one)

BRAND _____
 LENGTH _____ FEET
 WIDTH _____ INCHES



SEND PICTURES AND IF NEEDED, ADD ANY ADDITIONAL
 FEATURES OR SKETCH THE VIEWS ON A SECOND PAGE.
 (MAY USE A SECOND OR THIRD FRAME DETAIL SHEET
 FOR ADDITIONAL FEATURES)

FILL DIMENSIONS IN: (_____)

DOCK ACCESS DOOR PLACEMENT		
SHORESIDE VIEW		
LEFT FRONT		RIGHT FRONT
LEFT REAR		RIGHT REAR
LAKE VIEW		
MEASUREMENT FROM DESIGNATED CORNER		

TOLERANCES - UNLESS NOTED
 DECIMAL ±
 FRACTION ±
 ANGLE ±

RUSH-CO

1314 Walnut St. - Springfield, SD 57062 605-369-6000

NOTICE THIS ILLUSTRATION IS THE PROPERTY OF RUSH-CO, AND MUST NOT BE USED IN ANY WAY DETRIMENTAL TO RUSH-CO'S INTERESTS.

TITLE: **ROUNDED CORNER CURTAIN FRAME DETAIL** SIZE **C**

DRFT: robert.lambert DATE 5/23/2018 SCALE SHEET 1/1 PART NO: **F-162**

ENGR: DATE