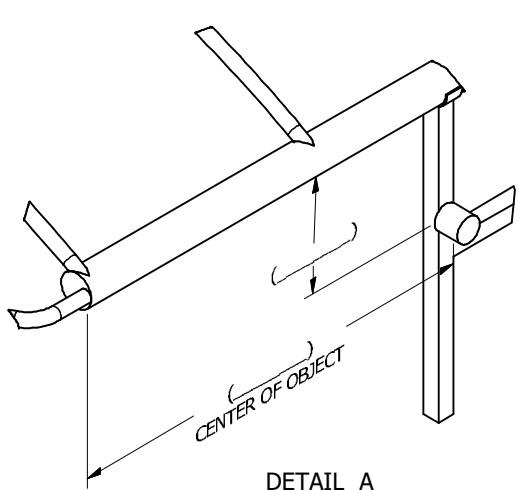
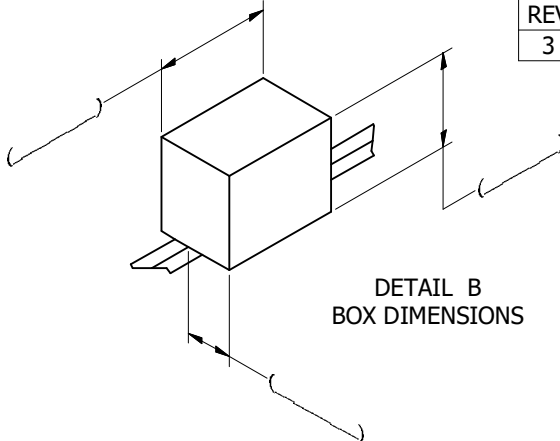


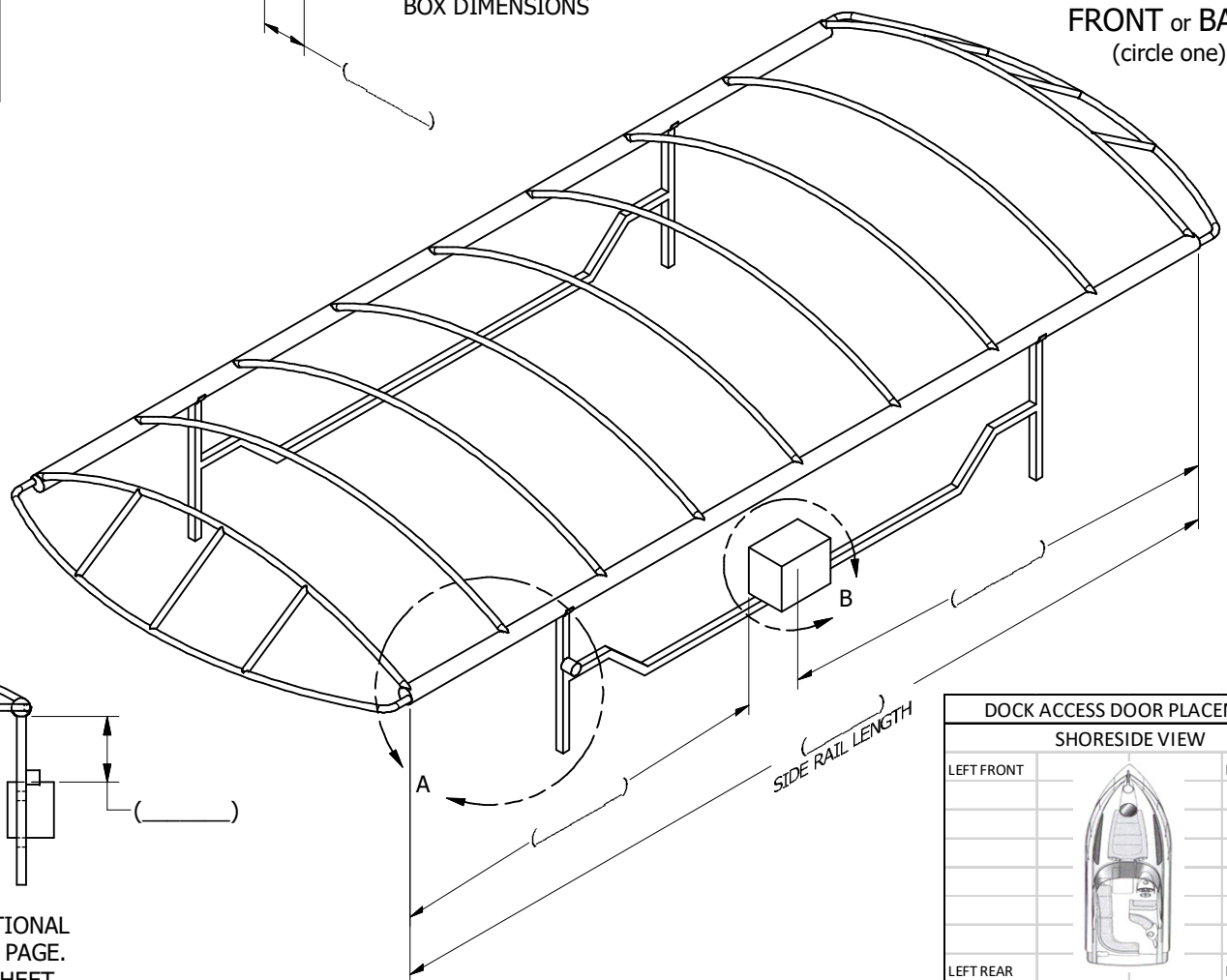
REVISIONS				
REV	ECN	DATE	DESCRIPTION	ISSUER
3	EC-00	5/22/2018		RML



DETAIL A
OTHER PROTRUSION
LOCATION

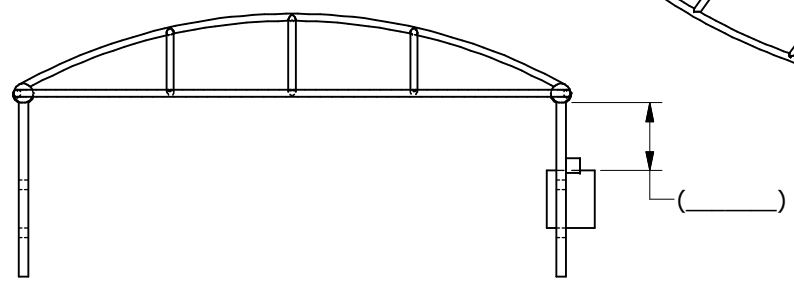


DETAIL B
BOX DIMENSIONS



FRONT or BACK
(circle one)

BRAND _____
 LENGTH _____ FEET
 WIDTH _____ INCHES



SEND PICTURES AND IF NEEDED, ADD ANY ADDITIONAL
 FEATURES OR SKETCH THE VIEWS ON A SECOND PAGE.
 (MAY USE A SECOND OR THIRD FRAME DETAIL SHEET
 FOR ADDITIONAL FEATURES)

FILL DIMENSIONS IN: (_____)

DOCK ACCESS DOOR PLACEMENT			
SHORESIDE VIEW			
LEFT FRONT		RIGHT FRONT	
LAKE VIEW			
LEFT REAR		RIGHT REAR	
MEASUREMENT FROM DESIGNATED CORNER			

TOLERANCES - UNLESS NOTED
 DECIMAL ±
 FRACTION ±
 ANGLE ±
NOTICE



1314 Walnut St. - Springfield, SD 57062 605-369-6000

THIS ILLUSTRATION IS THE PROPERTY OF RUSH-CO, AND MUST NOT BE USED
 IN ANY WAY DETRIMENTAL TO RUSH-CO'S INTERESTS.

TITLE:
ROUNDED END CURTAIN FRAME DETAIL
 DRFT: RML DATE: 5/22/2018 SCALE: SHEET: 1/1 PART NO: F-160
 ENGR: DATE: SIZE: C