

All Fields Required!

(1) Type of Conestoga End Flap

_____ Cable in Pocket

_____ Webbing in Pocket (webbing and ratchet)

Desired strap width ____1" ____2"

_____ D-ring Distance between (default 18")

(2) Main Cover Tie Down Style

(along length of building)

_____ D-ring

Distance between D-rings _____" (in) (default 18")

_____ Pipe and Ratchet (upgrade)

Ratchet Location

_____ Outside of building

_____ Inside of building

(3) End Tension/Wind Tension Kit (this is on the inside of the building attaching cover to end bow or end trusses)

_____ Distance from end bow/truss (default 18")

_____ D-ring style

_____ 1" Laced webbing

_____ 1" Ratchet

_____ PVC pipe and ratchet

_____ None

(4) Accessories/Options:

_____ Primary Color

_____ Chuck Wagon Ends 6 ft. / 12 ft.

_____ Stripes 6 ft. / 12 ft. (Indicate location on page 2)

_____ Ground flap

_____ Ridge vents

Awning (need exact cover measurements) _____

Multi-cover joints: _____ Not applicable

_____ Keder

_____ Flap

Replacement hardware

_____ Number of new ratchets

_____ Number of new cam buckles

_____ Number of new 10' lengths PVC pipe

_____ Feet of new primary pipe (and size)

_____ Number replacement straps

New lacing _____ ft.

Ratchet webbing size (____1") (____2") (____ (in) Other)

If needed amount of replacement ratchets (_____)

(5) Building Dimension Information

Frame make and model _____

Fill out Page 2 with building diagram dimension information or Page 3 with actual cover dimensions

Accurate information is important.

Pictures are encouraged to ensure proper fit.

1

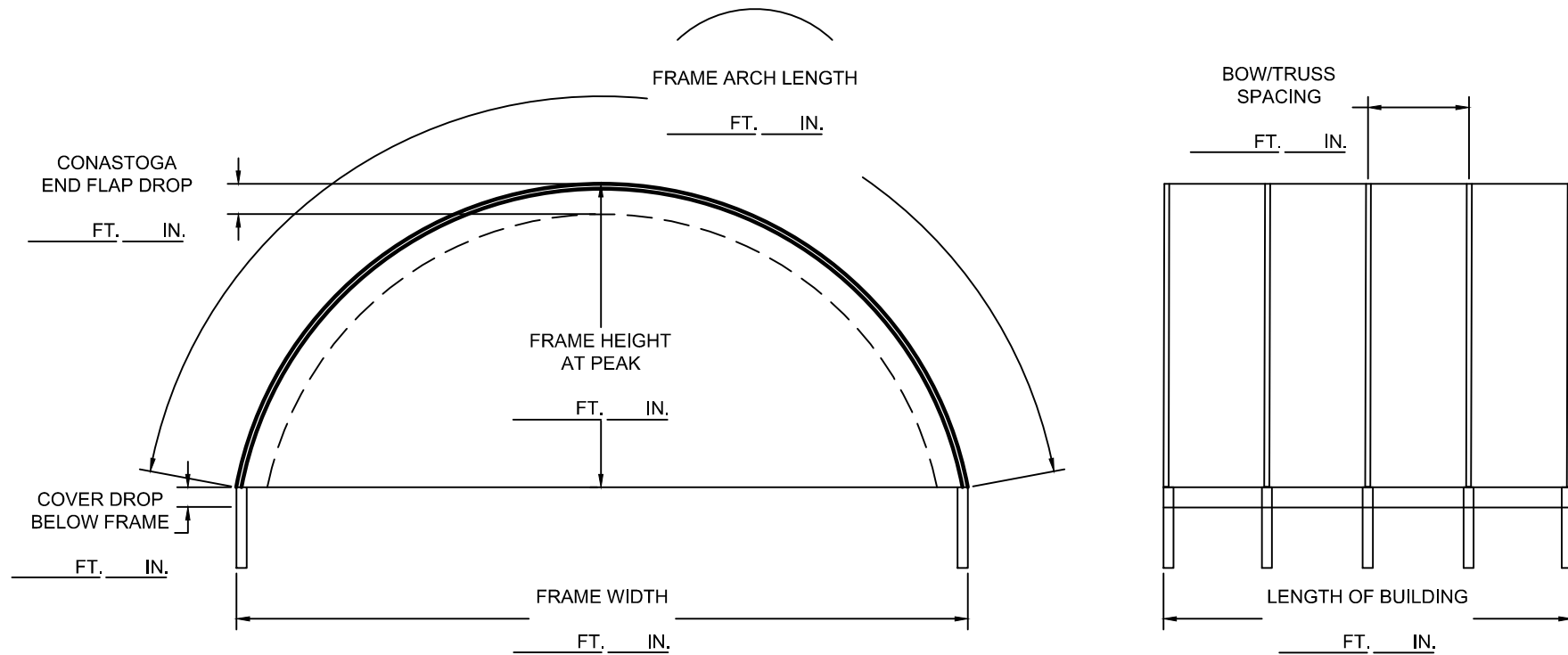
RPL DETAIL SHEET
P/N 300718



Rushmore Buildings 1314 Walnut St—Springfield, SD 57062

Toll free: 866-776-5617
Fax: 605-369-2112
Email: info@rushmorebuildings.com

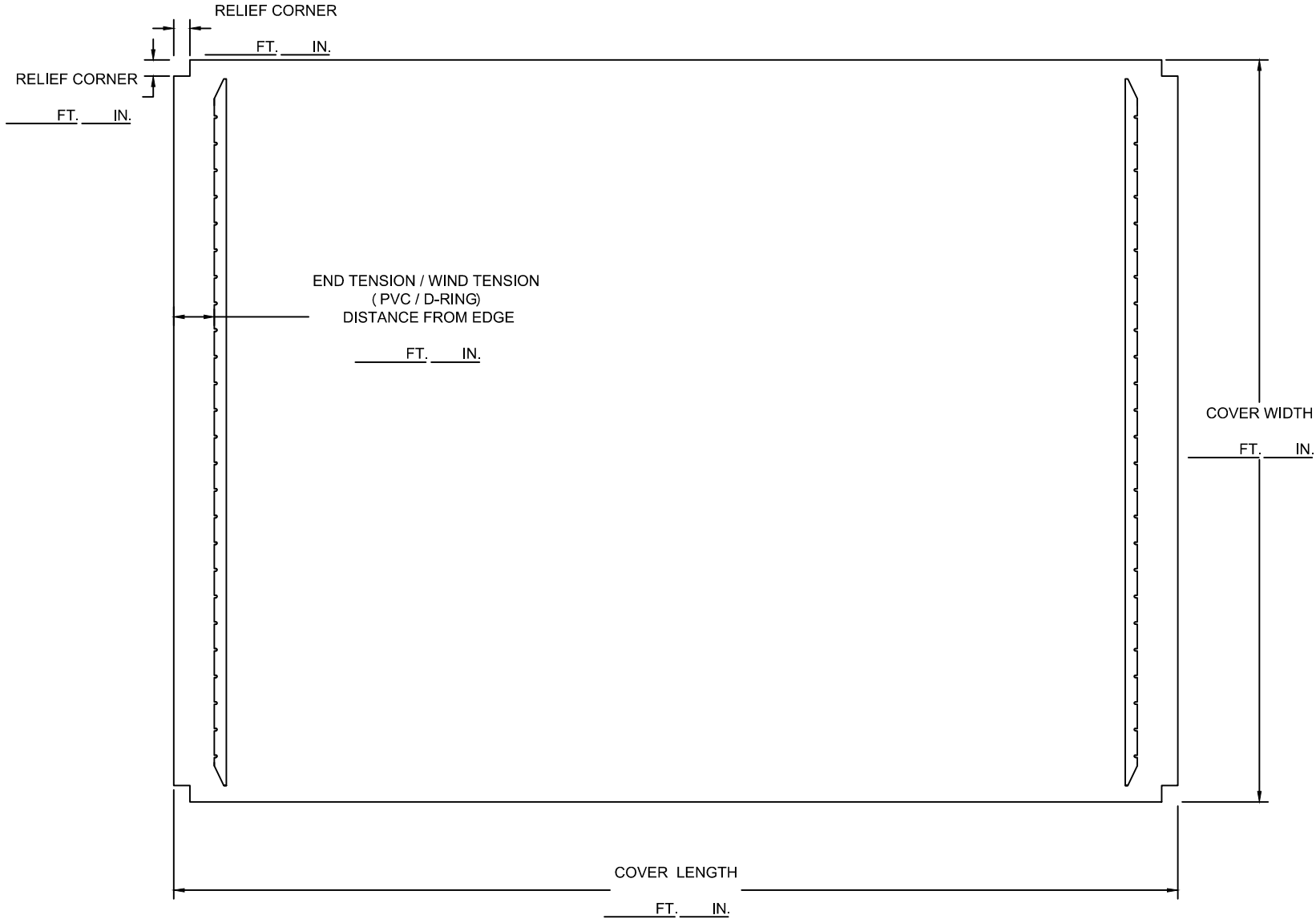
All Fields Required!



Rushmore Buildings 1314 Walnut St—Springfield, SD 57062

2
RPL. DETAIL SHEET
P/N 300718
Toll free: 866-776-5617
Fax: 605-369-2112
Email: info@rushmorebuildings.com

All Fields Required!



Rushmore Buildings 1314 Walnut St—Springfield, SD 57062

3
RPL. DETAIL SHEET
P/N 300718
Toll free: 866-776-5617
Fax: 605-369-2112
Email: info@rushmorebuildings.com