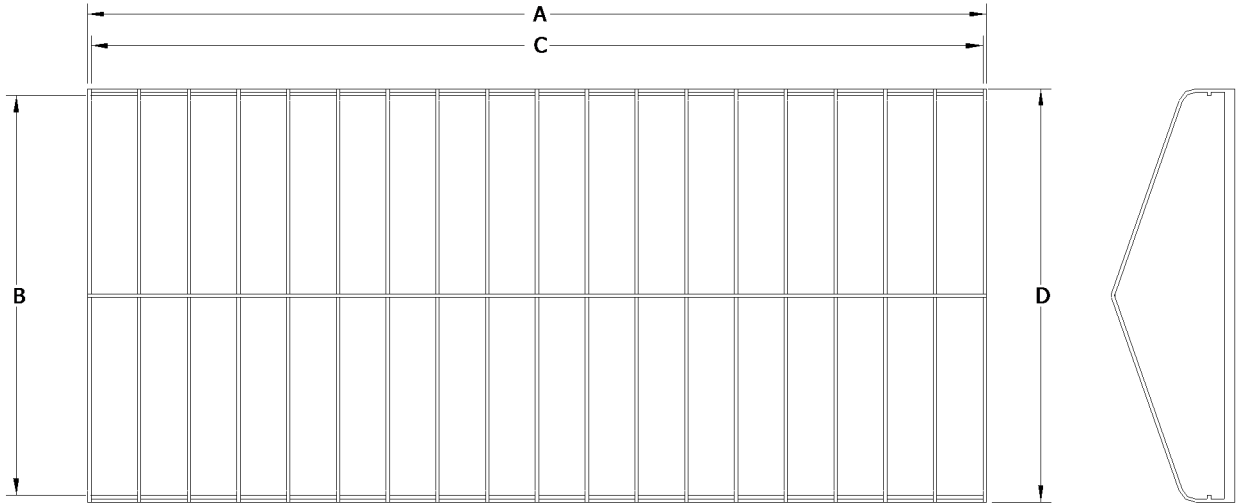


Attn: _____



**Sea Legs® Frame
 Specification Sheet**



***ALL MEASUREMENTS (±1")**

PART NO.	SIZE	OVERALL LENGTH "A"	INSIDE WIDTH "B"	SIDE RAIL LENGTH "C"	OUTSIDE WIDTH "D"
BK2600120	26' X 120"	26'	120"	25' 10"	128"
BK2900120	29' X 120"	29'	120"	28' 10"	128"
BK2900144	29' X 144"	29'	140"	28' 10"	144"

ATTACHMENT

The male buckle wraps around the bottom of the canopy frame while the female buckle wraps around the top of the canopy frame.

STANDARD VALANCE: 6" DROP

****If dimensions don't match above,
 fill out detail sheet on page 2****

OUTSIDE DIMENSIONS

- A _____ OVERALL LENGTH OF FRAME
- B _____ INSIDE WIDTH OF FRAME
- C _____ LENGTH OF SIDE RAILS
(W/O ENDS)
- D _____ OUTSIDE WIDTH OF FRAME

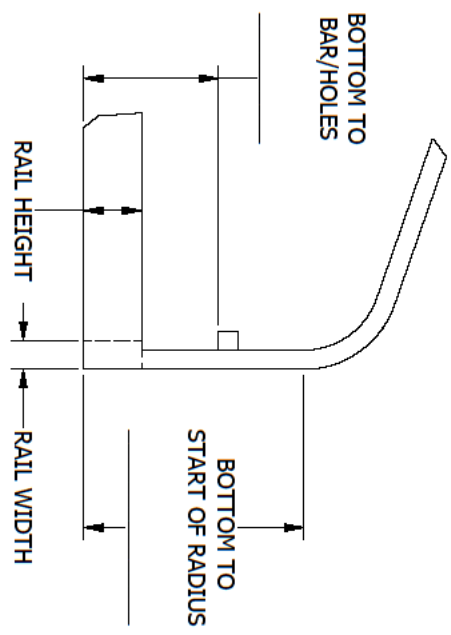
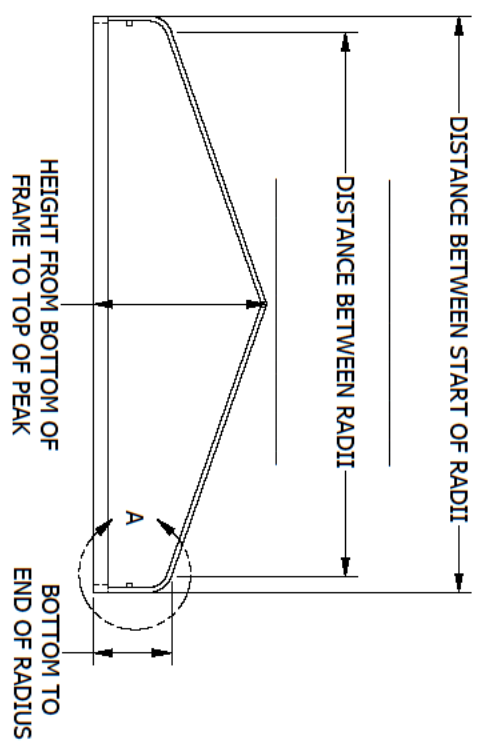
CONTACT INFORMATION

Name _____
 Address _____
 City _____ State _____ Zip _____
 Phone _____ Fax _____
 Boat Lift Brand _____

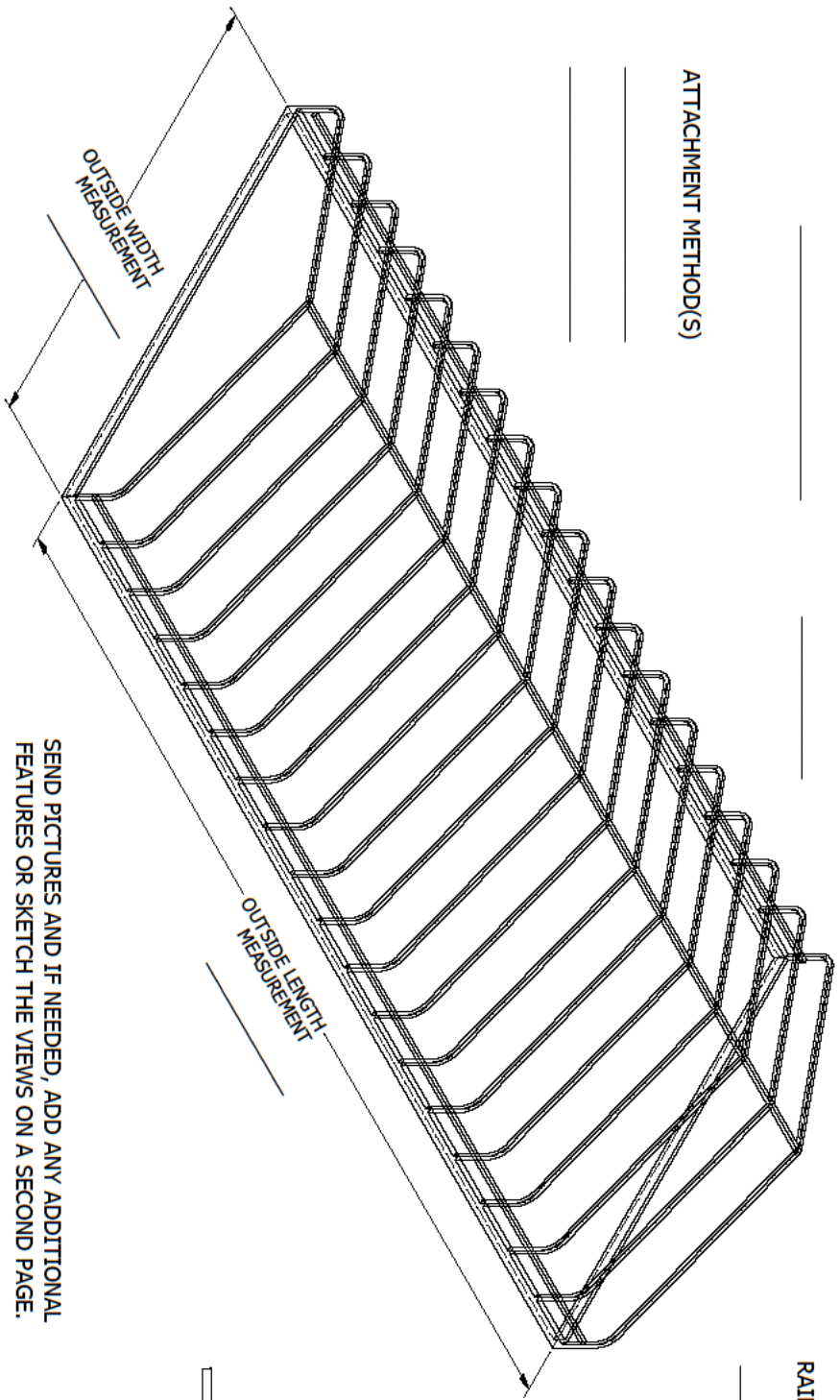
NOTES

REV	ECN	DATE	DESCRIPTION	ISSUER
A	EC-00469	10/4/2016	RELEASE	RML

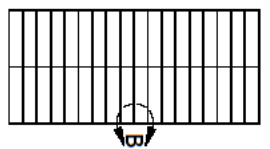
REVISIONS



ATTACHMENT METHOD(S)

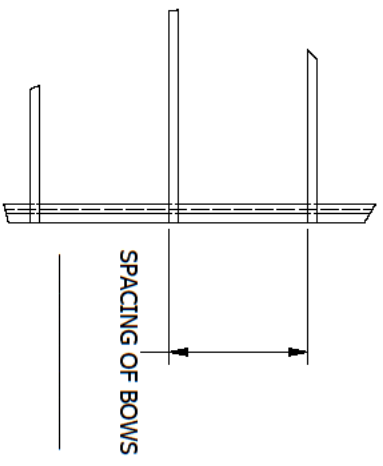


TOTAL NUMBER OF BOWS



SEND PICTURES AND IF NEEDED, ADD ANY ADDITIONAL FEATURES OR SKETCH THE VIEWS ON A SECOND PAGE.

DETAIL B



TOLERANCES - UNLESS NOTED

DECIMAL F. FRACTION F. ANGLE F.

RUSH-CO

1314 Walnut St. - Springfield, SD 57062 605-369-6000

TITLE: PEAKED FLUSHED END FRAME DETAIL SHEET

DRAFT: RML DATE: 10/4/2016 SCALE: SHEET: 1 OF 1 PART NO: F-133

ENGR: CWG DATE: 10/10/2016

SIZE: C