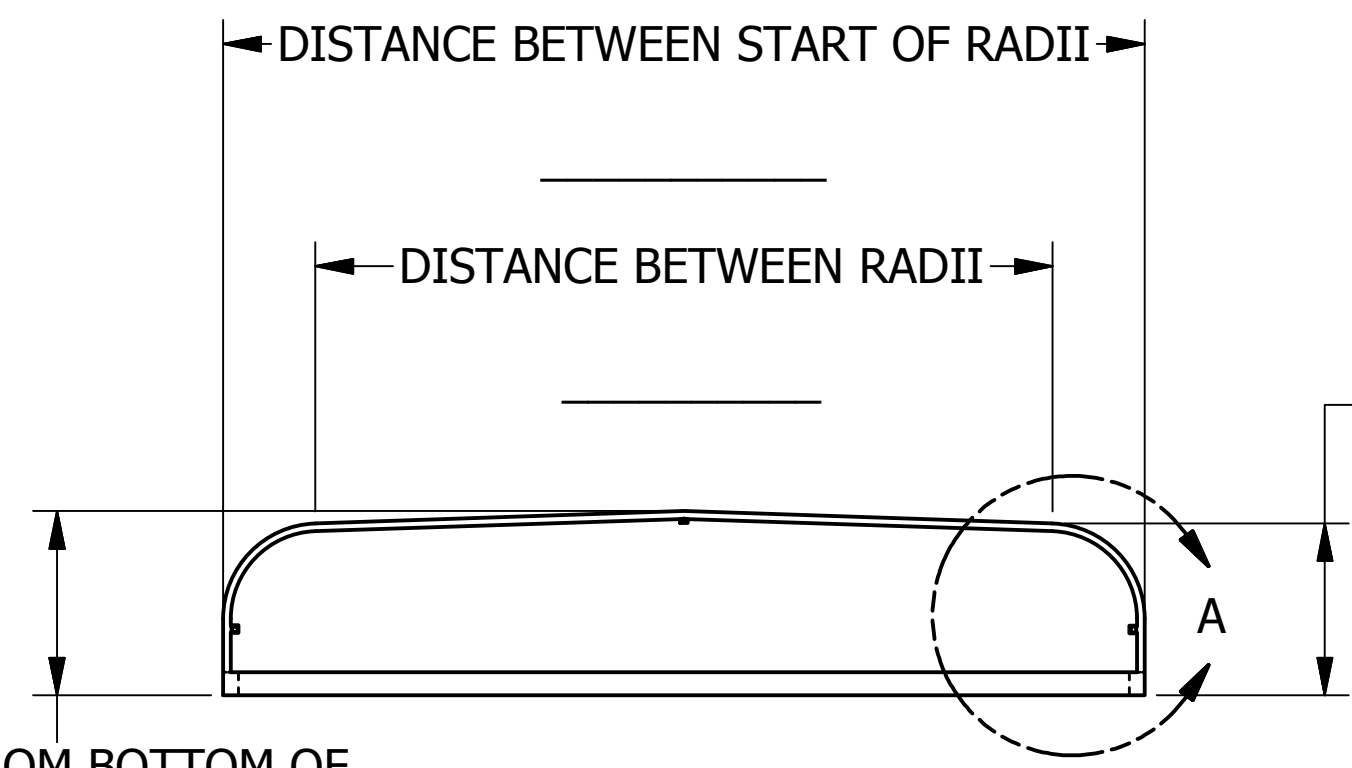
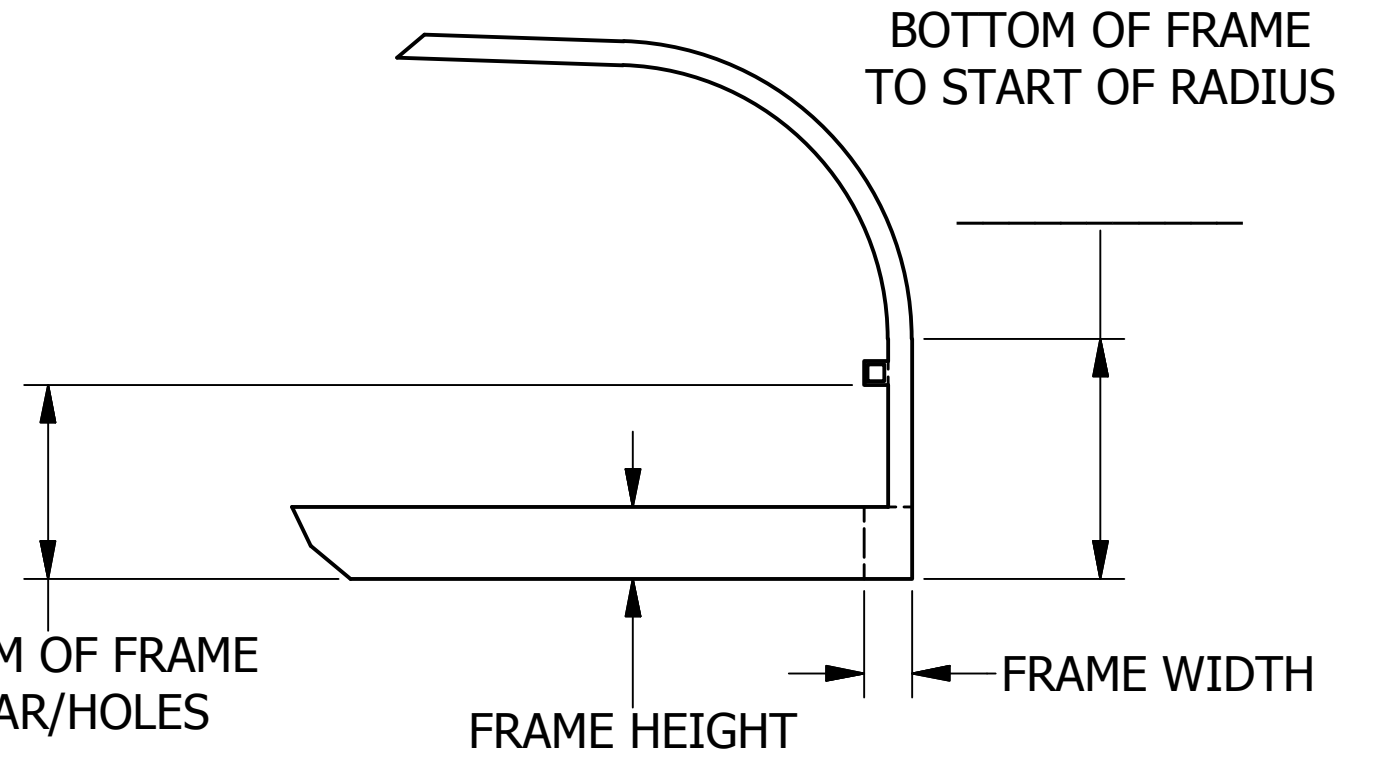


REVISIONS				
REV	ECN	DATE	DESCRIPTION	ISSUER
A	EC-00469	10/4/2016	RELEASE	RML

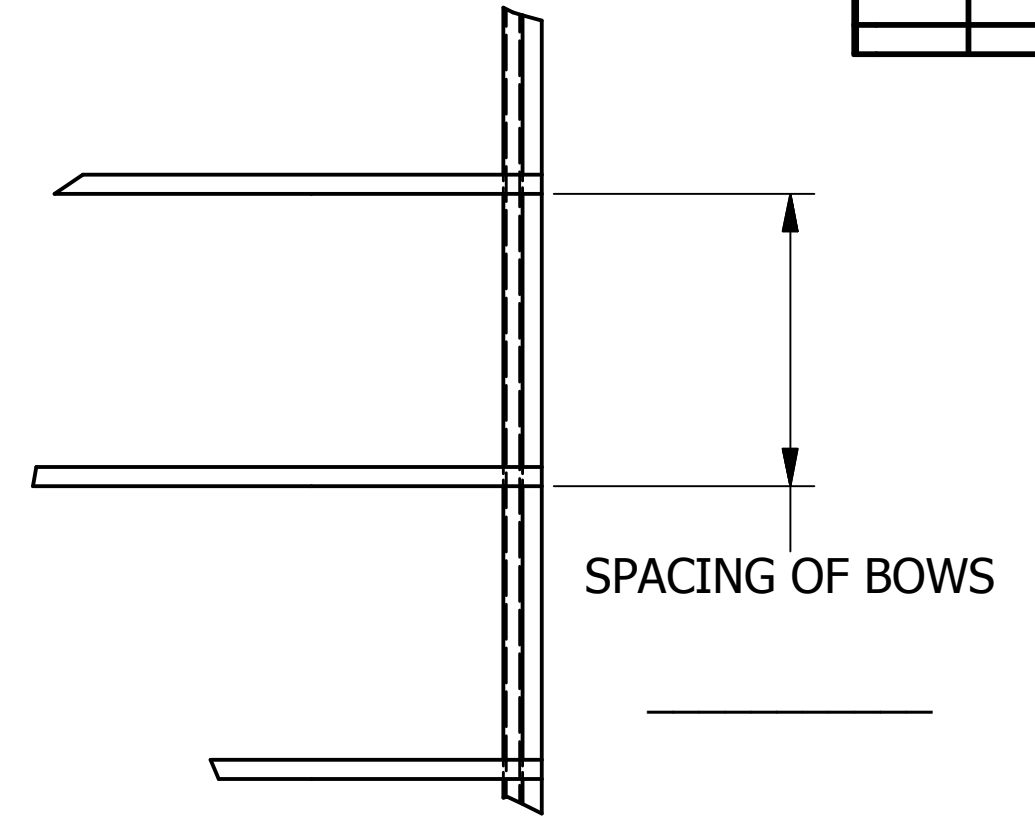
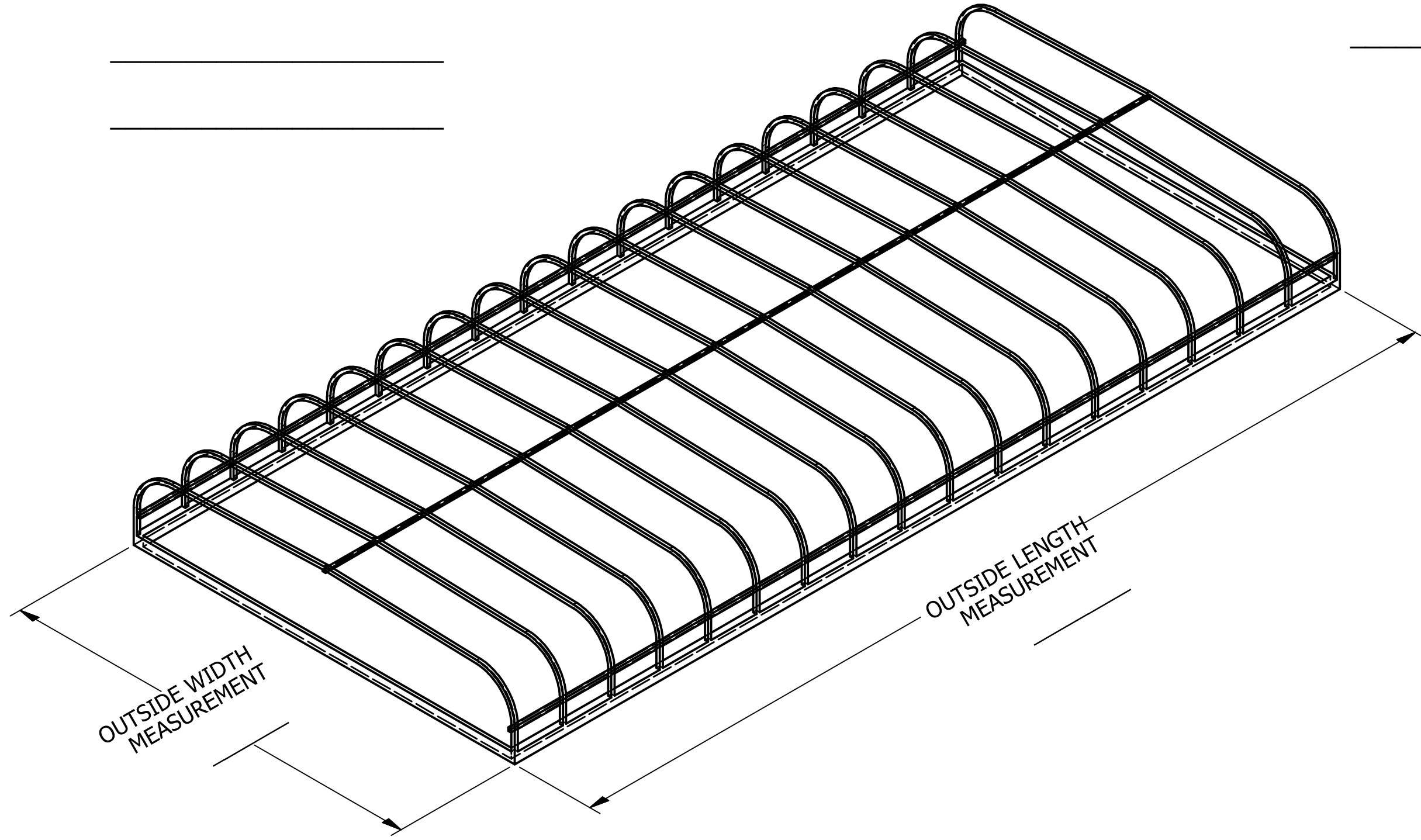
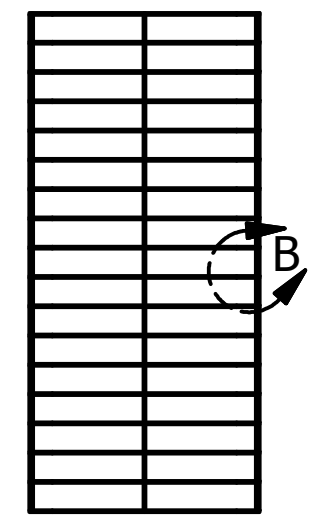


DETAIL A



ATTACHMENT METHOD(S)

TOTAL NUMBER OF BOWS



DETAIL B

SEND PICTURES AND IF NEEDED, ADD ANY ADDITIONAL FEATURES OR SKETCH THE VIEWS ON A SECOND PAGE.

TOLERANCES - UNLESS NOTED
DECIMAL ±
FRACTION ±
ANGLE ±
NOTICE THIS ILLUSTRATION IS THE PROPERTY OF RUSH-CO, AND MUST NOT BE USED IN ANY WAY DETRIMENTAL TO RUSH-CO'S INTERESTS.



1314 Walnut St. - Springfield, SD 57062 605-369-6000

TITLE: FLAT FRONT FRAME DETAIL SHEET			SIZE C
DRFT: TJS	DATE 4/10/2014	SCALE	SHEET 1
ENGR: CWG	DATE 10/10/2016		PART NO: F-130