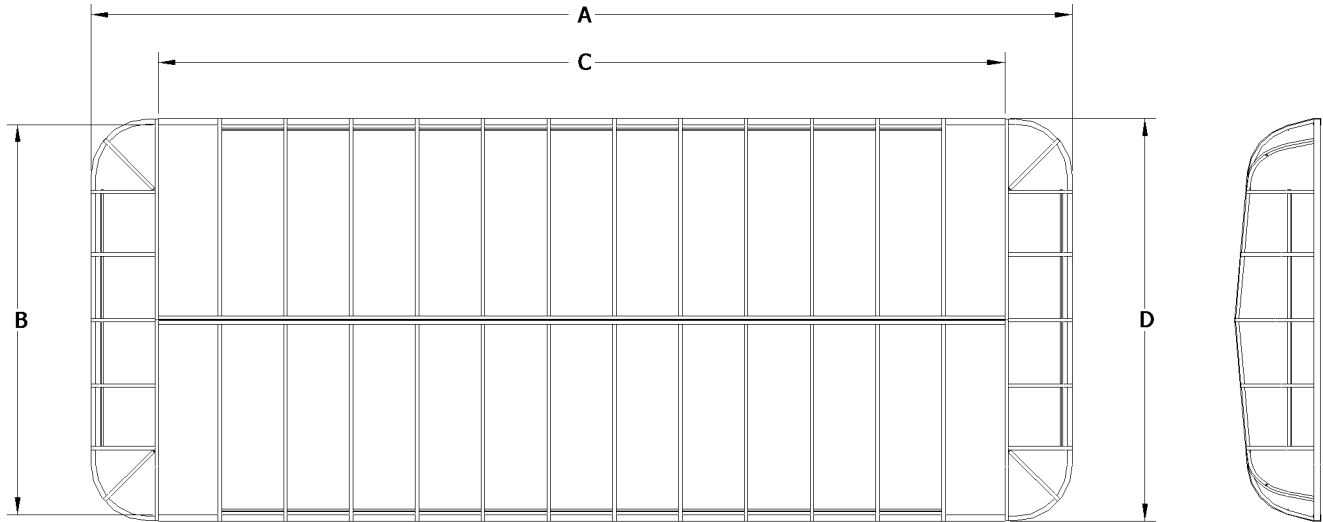


Attn: \_\_\_\_\_



**Shoremaster® Frame  
 Specification Sheet**



**\*ALL MEASUREMENTS (±1")**

PART NO.	SIZE	OVERALL LENGTH "A"	INSIDE WIDTH "B"	SIDE RAIL LENGTH "C"	OUTSIDE WIDTH "D"
SM1000055	10' X 55"	10' 4"	55 1/2"	7' 8 7/8"	58 3/8"
SM1000110	10' X 110"	10' 4"	120 1/2"	6' 10 5/8"	115"
SM1300064	13' X 64"	13' 1-1/2"	65"	9' 10"	68 1/2"
SM1900084	19' X 84"	19'	84"	15' 10"	87 1/2"
SM1900096	19' X 96"	19'	96"	15' 10"	99 1/2"
SM2100096	21' X 96"	21'	96"	17' 10"	99 1/2"
SM2300100	23' X 100"	23'	100"	19' 10"	103 1/2"
SM1900108	19' X 108"	19' 1-1/2"	108 1/2"	15' 10"	112"
SM2100108	21' X 108"	21' 1-1/2"	108 1/2"	17' 10"	112"
SM2300108	23' X 108"	23' 1-1/2"	108 1/2"	19' 10"	112"
SM2500108	25' X 108"	25' 1-1/2"	108 1/2"	21' 10"	112"
SM2700108	27' X 108"	27' 2-1/2"	108 1/2"	23' 10"	112"
SM2900108	29' X 108"	29' 1-1/2"	108 1/2"	25' 10"	112"
SM2100120	21' X 120"	21' 1-1/2"	120 1/2"	17' 10"	124"
SM2300120	23' X 120"	23' 1-1/2"	120 1/2"	19' 10"	124"
SM2500120	25' X 120"	25' 1-1/2"	120 1/2"	21' 10"	124"
SM2700120	27' X 120"	27' 1-1/2"	120 1/2"	23' 10"	124"
SM2900120	29' X 120"	29' 1-1/2"	120 1/2"	25' 10"	124"
SM3100120	31' X 120"	31' 1-1/2"	120 1/2"	27' 10"	124"
SM3300120	33' X 120"	33' 1-1/2"	120 1/2"	29' 10"	124"

**ATTACHMENT**

Hooked bungee connects to aluminum bar welded across bows.

STANDARD VALANCE: 12" VALANCE

**OUTSIDE DIMENSIONS**

- A \_\_\_\_\_ OVERALL LENGTH OF FRAME
- B \_\_\_\_\_ INSIDE WIDTH OF FRAME
- C \_\_\_\_\_ LENGTH OF SIDE RAILS (W/O ENDS)
- D \_\_\_\_\_ OUTSIDE WIDTH OF FRAME

**CONTACT INFORMATION**

Name \_\_\_\_\_  
 Address \_\_\_\_\_  
 City \_\_\_\_\_ State \_\_\_\_\_ Zip \_\_\_\_\_  
 Phone \_\_\_\_\_ Fax \_\_\_\_\_  
 Boat Lift Brand \_\_\_\_\_

**NOTES**

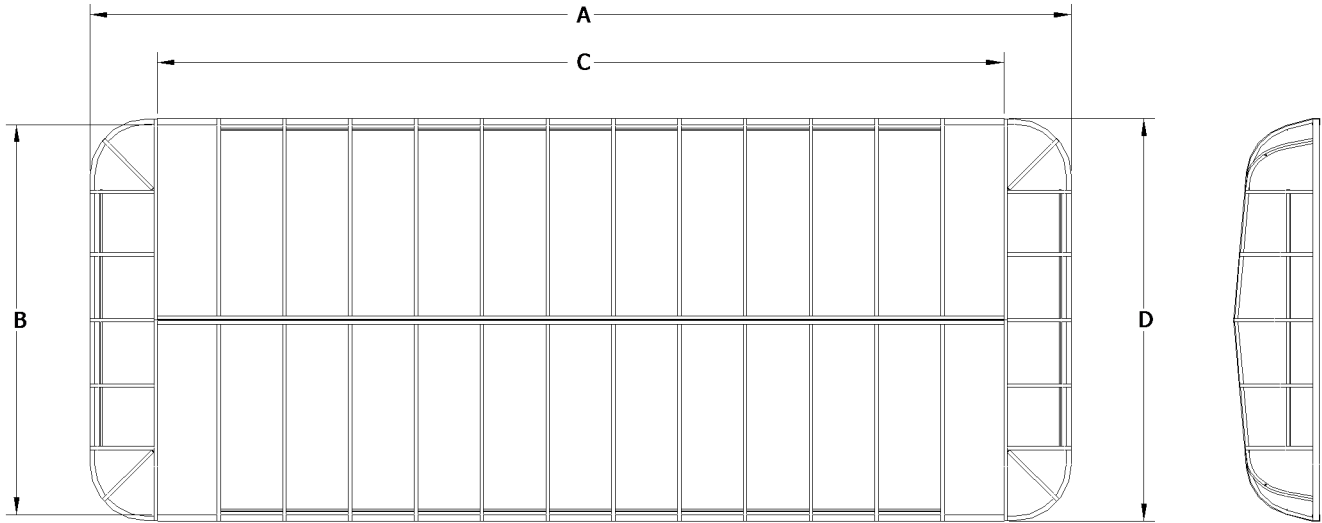
\_\_\_\_\_  
 \_\_\_\_\_  
 \_\_\_\_\_  
 \_\_\_\_\_

**\*\*If dimensions don't match above,  
 fill out detail sheet on page 3\*\***

Attn: \_\_\_\_\_



**Shoremaster® Frame  
 Specification Sheet**



**\*ALL MEASUREMENTS (±1")**

PART NO.	SIZE	OVERALL LENGTH "A"	INSIDE WIDTH "B"	SIDE RAIL LENGTH "C"	OUTSIDE WIDTH "D"
SM2700132	27' X 132"	27'	132"	23' 10"	135 1/2"
SM2900132	29' X 132"	29'	132"	25' 10"	135 1/2"
SM3100132	31' X 132"	31'	132"	27' 10"	135 1/2"
SM3300132	33' X 132"	33'	132"	29' 10"	135 1/2"
SM3500132	35' X 132"	35'	132"	31' 10"	135 1/2"

**ATTACHMENT**

Hooked bungee connects to aluminum bar welded across bows.

STANDARD VALANCE: 12" VALANCE

**\*\*If dimensions don't match above,  
 fill out detail sheet on page 3\*\***

**OUTSIDE DIMENSIONS**

- A \_\_\_\_\_ OVERALL LENGTH OF FRAME
- B \_\_\_\_\_ INSIDE WIDTH OF FRAME
- C \_\_\_\_\_ LENGTH OF SIDE RAILS (W/O ENDS)
- D \_\_\_\_\_ OUTSIDE WIDTH OF FRAME

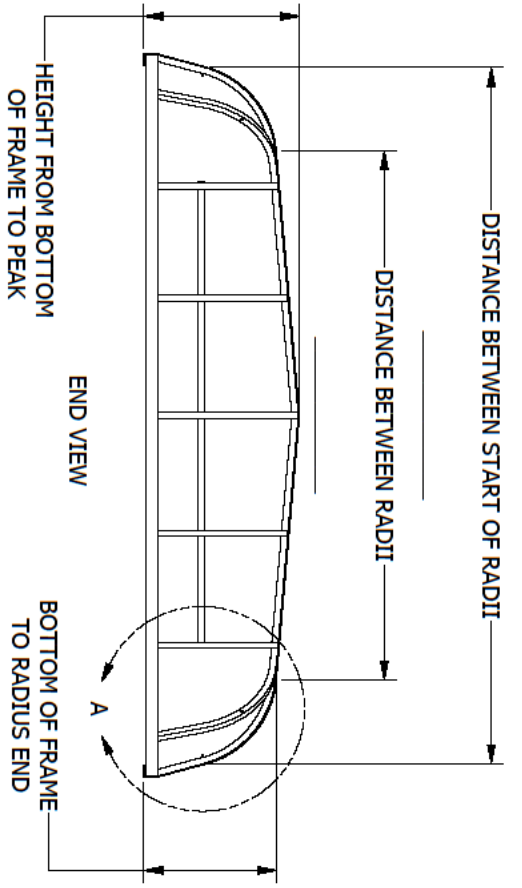
**CONTACT INFORMATION**

Name \_\_\_\_\_  
 Address \_\_\_\_\_  
 City \_\_\_\_\_ State \_\_\_\_\_ Zip \_\_\_\_\_  
 Phone \_\_\_\_\_ Fax \_\_\_\_\_  
 Boat Lift Brand \_\_\_\_\_

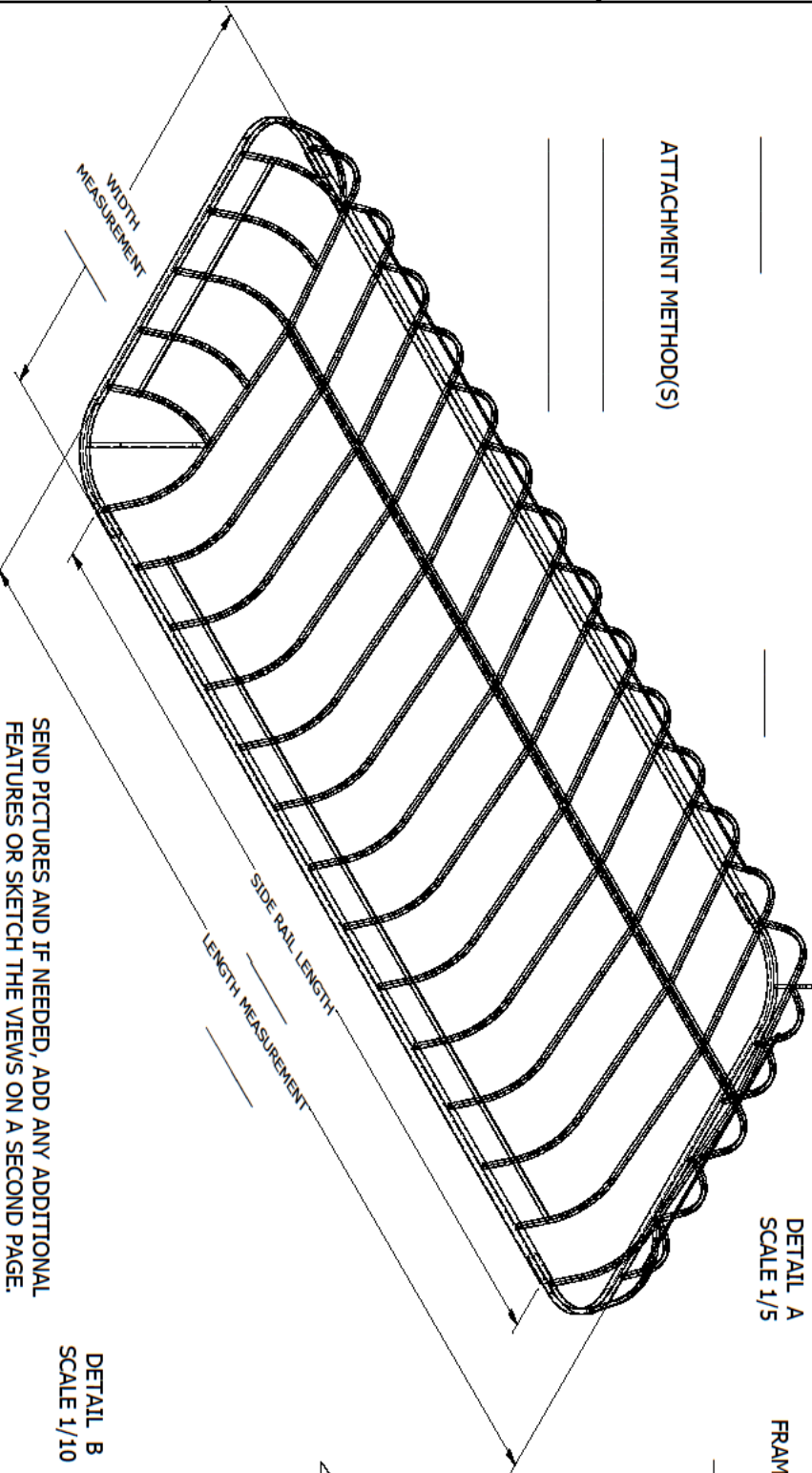
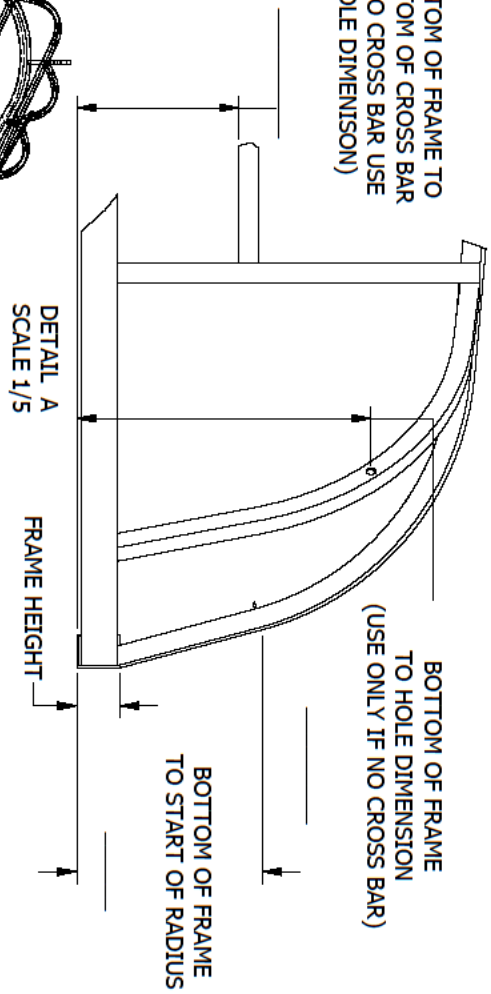
**NOTES**

\_\_\_\_\_  
 \_\_\_\_\_  
 \_\_\_\_\_

REVISIONS				ISSUER
REV	ECN	DATE	DESCRIPTION	RML
A	EC-00469	10/4/2016	RELEASE	RML
B	EC-00723	6/25/2018	ADD HOLE DIMENSION	RML

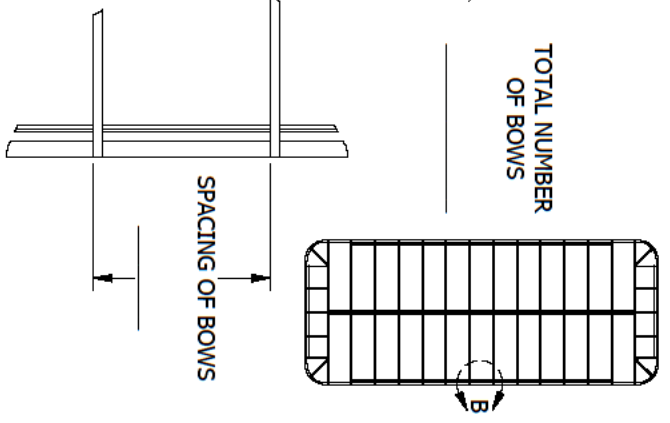


BOTTOM OF FRAME TO BOTTOM OF CROSS BAR (IF NO CROSS BAR USE HOLE DIMENSION)



SEND PICTURES AND IF NEEDED, ADD ANY ADDITIONAL FEATURES OR SKETCH THE VIEWS ON A SECOND PAGE.

DETAIL B  
SCALE 1/10



**TOLERANCES - UNLESS NOTED**

DECIMAL F  
FRACTION F  
ANGLE F

**RUSH-CO**

1314 Walnut St. - Springfield, SD 57062 605-369-6000

**ROUND CORNER FRAME DETAIL SHEET**

DRAWN: RML DATE: 4/27/2014 SCALE: 1/1 SHEET: 1 OF 1 PART NO: F-134

ENG: CWS DATE: 10/10/2016

SIZE: C

THIS ILLUSTRATION IS THE PROPERTY OF RUSH-CO. AND MUST NOT BE USED IN ANY WAY DETRIMENTAL TO RUSH-CO'S INTERESTS.

NOTICE