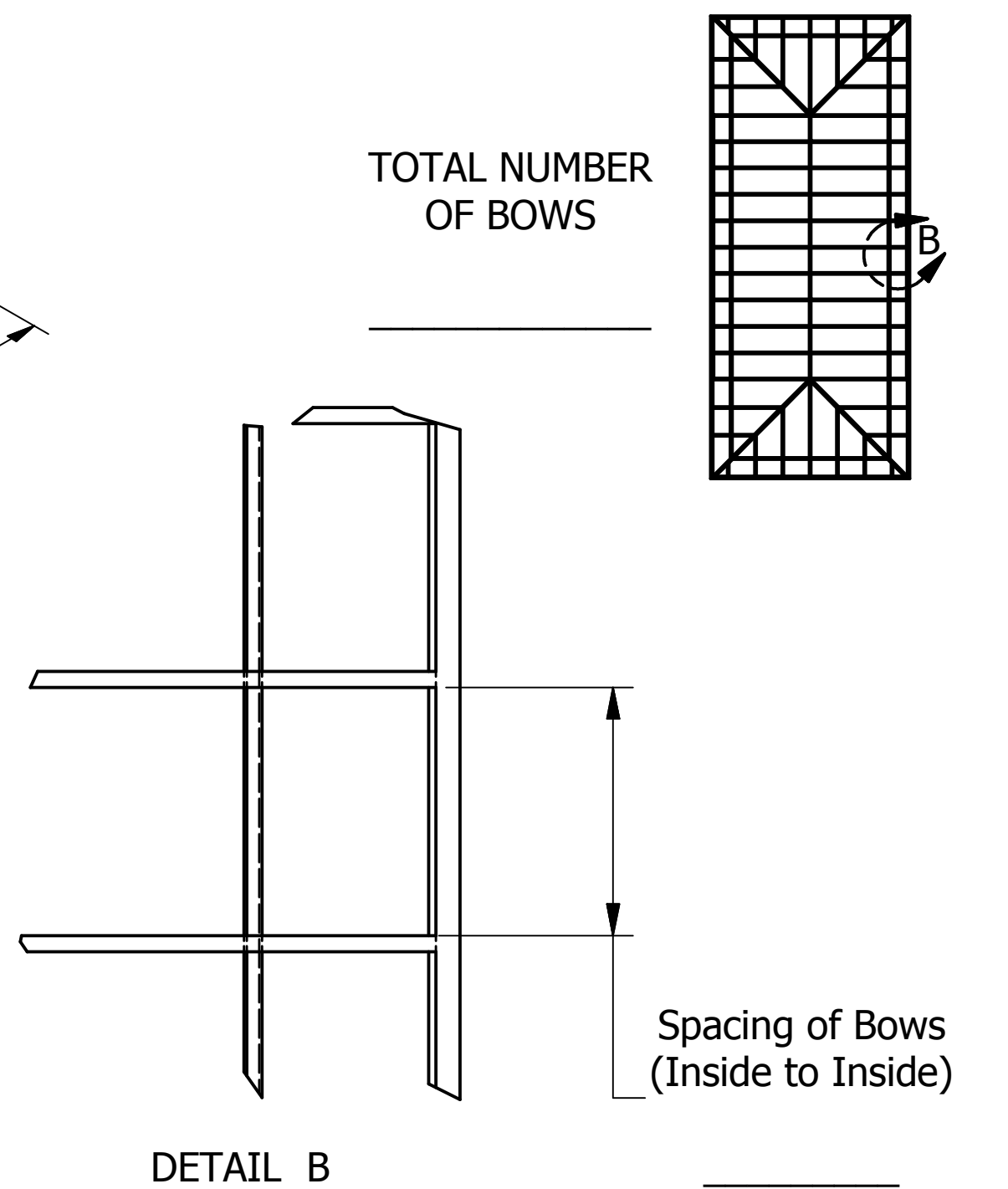
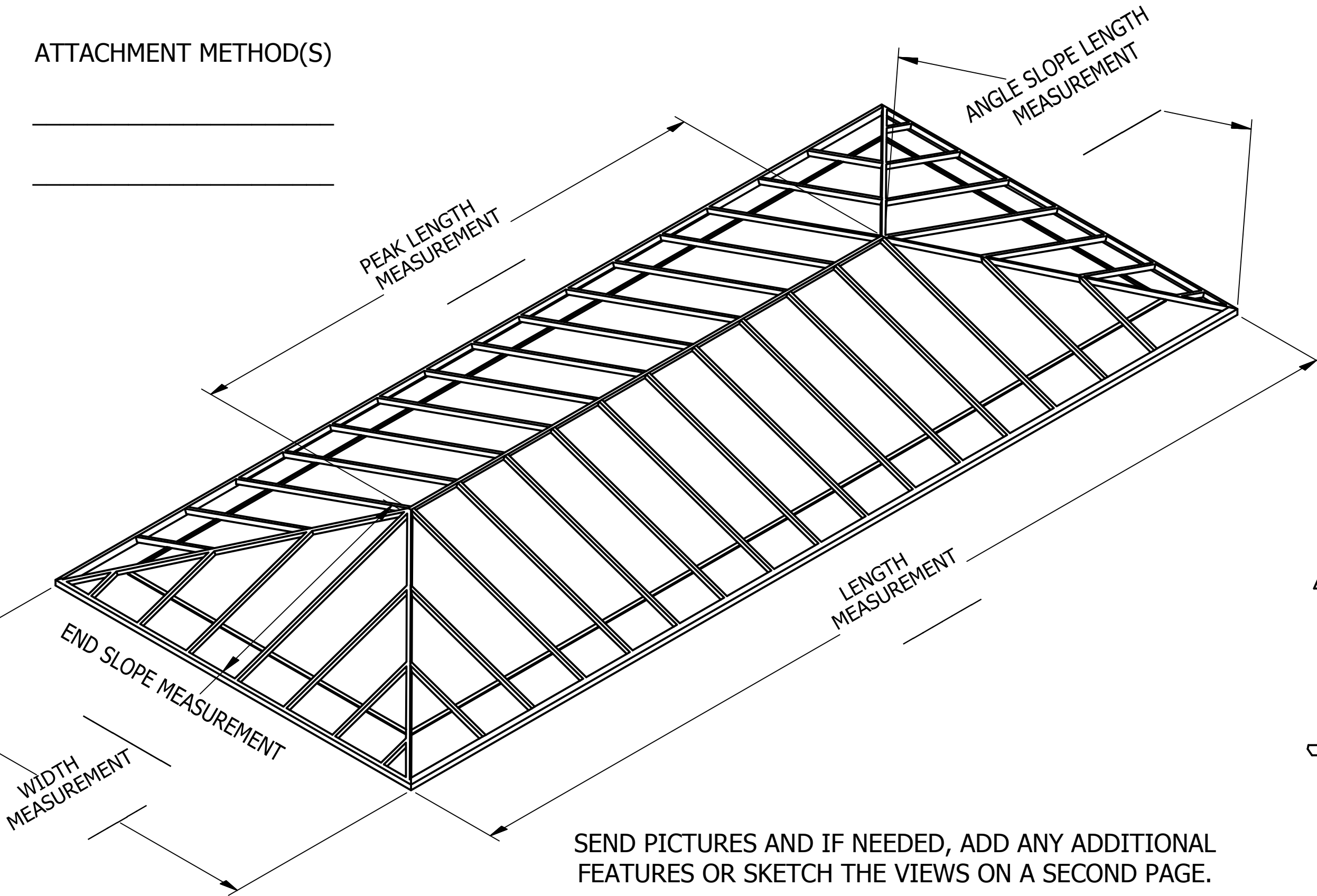
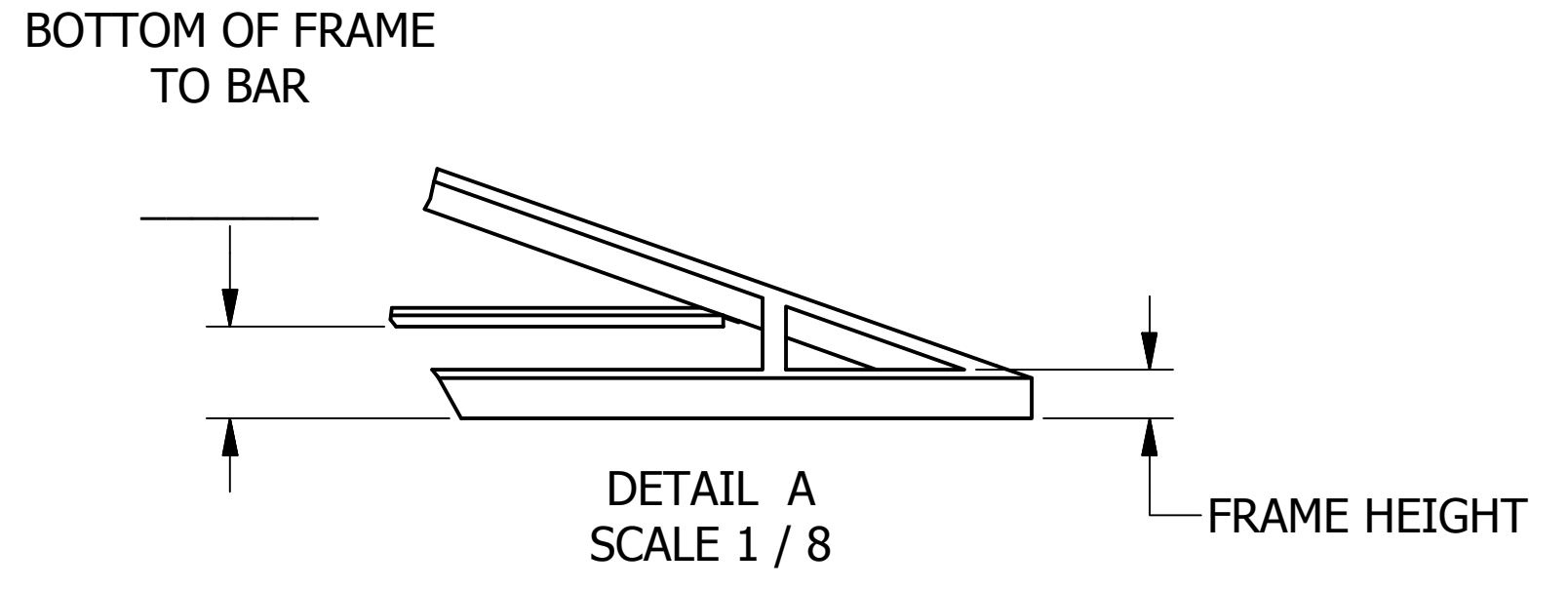
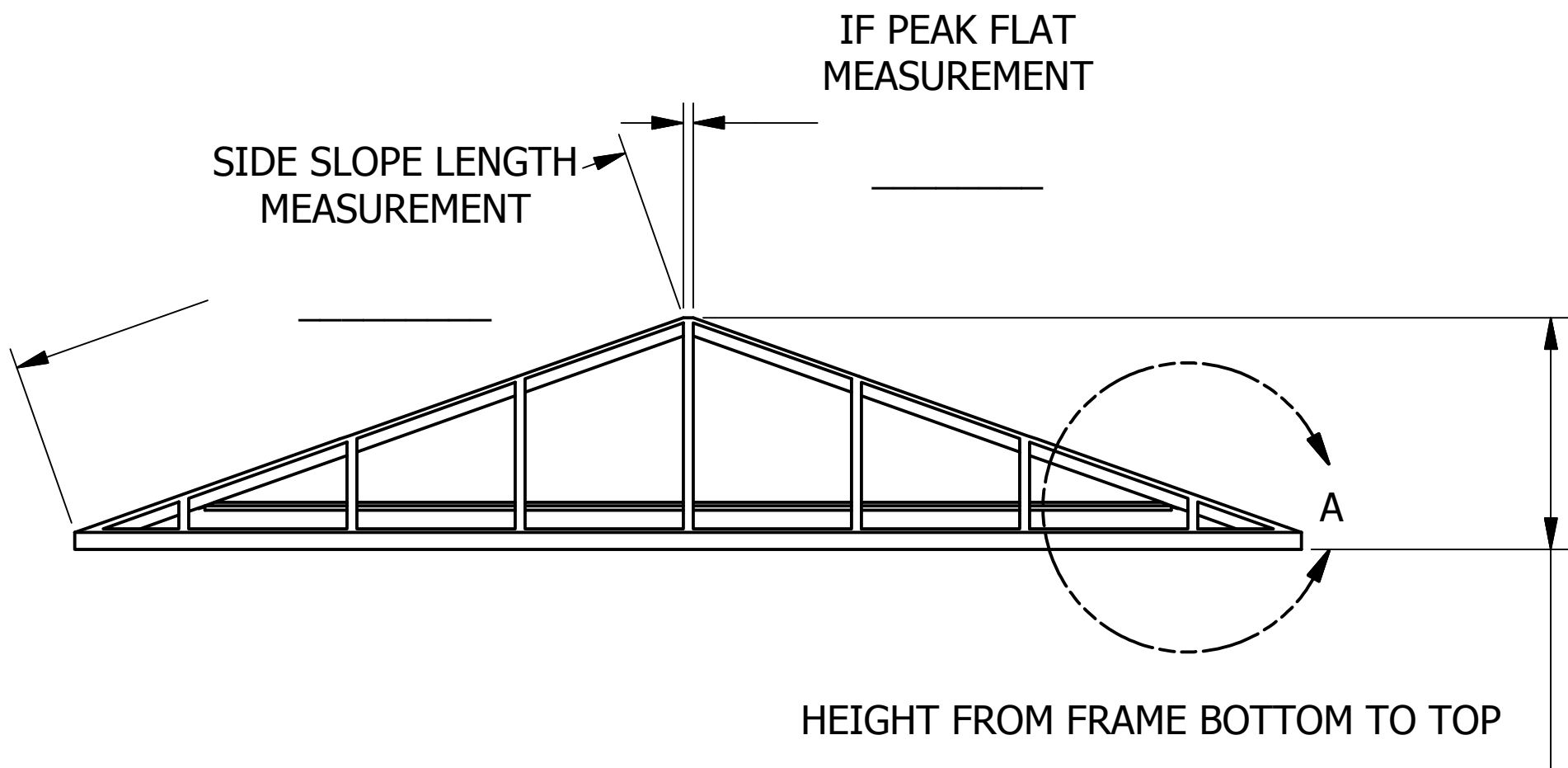


REVISIONS				
REV	ECN	DATE	DESCRIPTION	ISSUER
A	EC-00469	10/4/2016	RELEASE	RML



SEND PICTURES AND IF NEEDED, ADD ANY ADDITIONAL FEATURES OR SKETCH THE VIEWS ON A SECOND PAGE.

TOLERANCES - UNLESS NOTED DECIMAL ± FRACTION ± ANGLE ±	 1314 Walnut St. - Springfield, SD 57062 605-369-6000	TITLE: HIP FRAME DETAIL SHEET			SIZE C
		DRFT: RML	DATE: 1/30/2015	SCALE:	SHEET: 1 / 1
NOTICE THIS ILLUSTRATION IS THE PROPERTY OF RUSH-CO, AND MUST NOT BE USED IN ANY WAY DETRIMENTAL TO RUSH-CO'S INTERESTS.		ENGR: CWG	DATE: 10/10/2016		