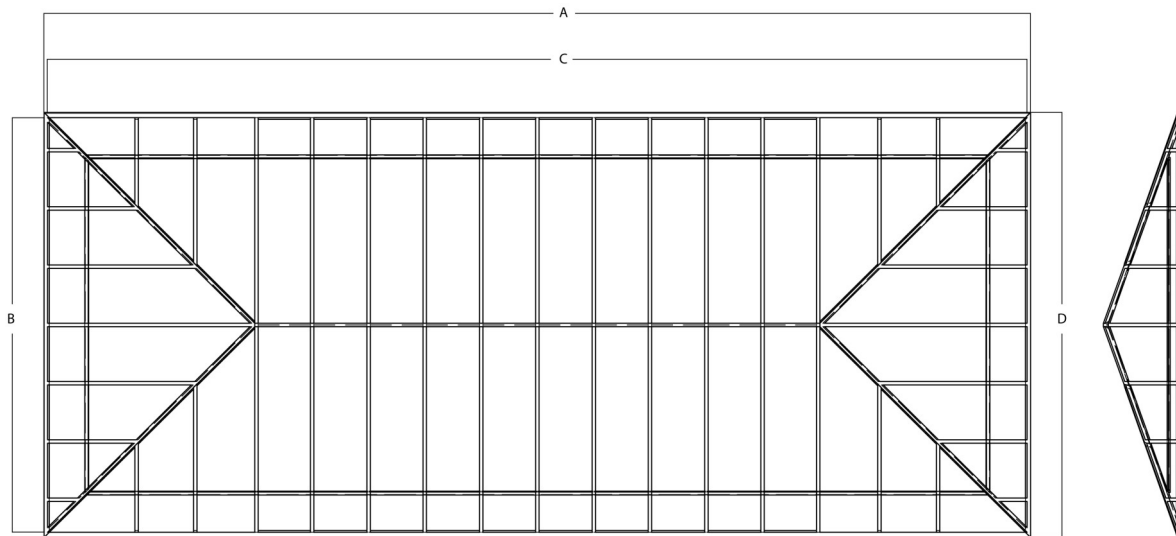


Attn: _____



RUSH-CO.®
 1314 Walnut St.
 Springfield, SD 57062
 1.877.330.0512
 RUSH-COMARINE.COM

**Shoremaster® Hip Roof Frame
 Specification Sheet**



***ALL MEASUREMENTS (±1")**

| PART NO. | SIZE | OVERALL LENGTH "A" | INSIDE WIDTH "B" | SIDE RAIL LENGTH "C" | OUTSIDE WIDTH "D" |
|------------|------------|--------------------|------------------|----------------------|-------------------|
| SMH2400108 | 24' X 108" | 24' | 109" | 23' 9" | 112" |
| SMH2600108 | 26' X 108" | 26' | 109" | 25' 9" | 112" |
| SMH2800108 | 28' X 108" | 28' | 109" | 27' 9" | 112" |
| SMH2400120 | 24' X 120" | 24' | 121" | 23' 9" | 124" |
| SMH2600120 | 26' X 120" | 26' | 121" | 25' 9" | 124" |
| SMH2800120 | 28' X 120" | 28' | 121" | 27' 9" | 124" |

ATTACHMENT

Hooked bungee connects to aluminum bar welded across bows.

****If dimensions don't match above,
 fill out detail sheet on page 2****

OUTSIDE DIMENSIONS

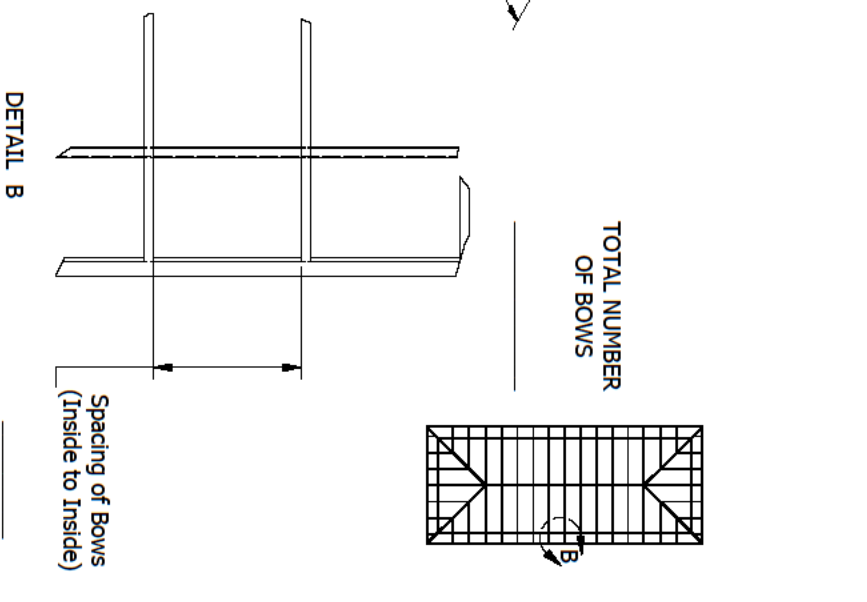
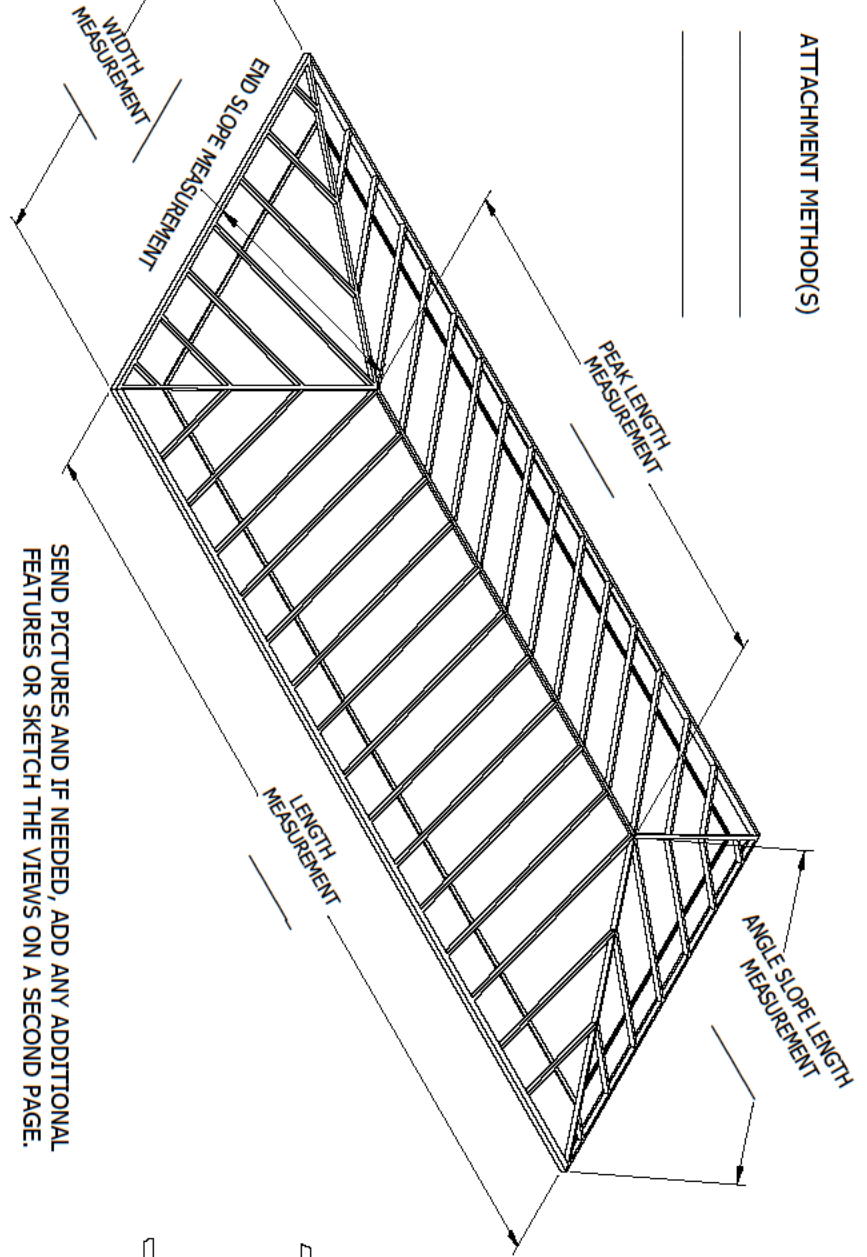
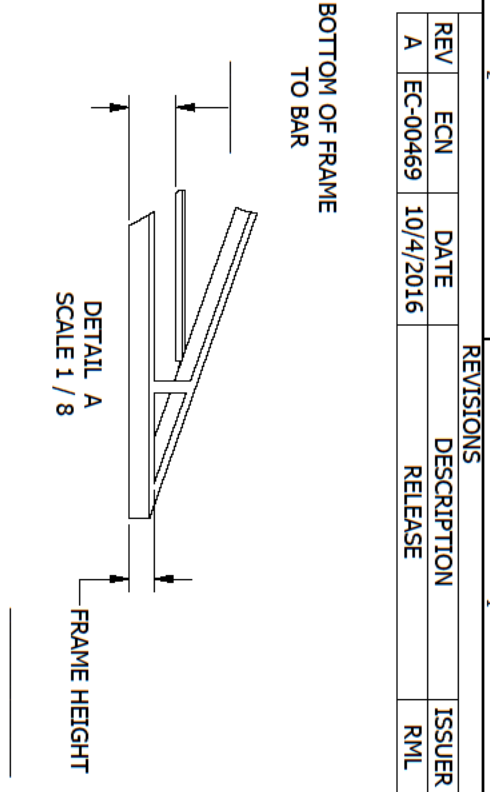
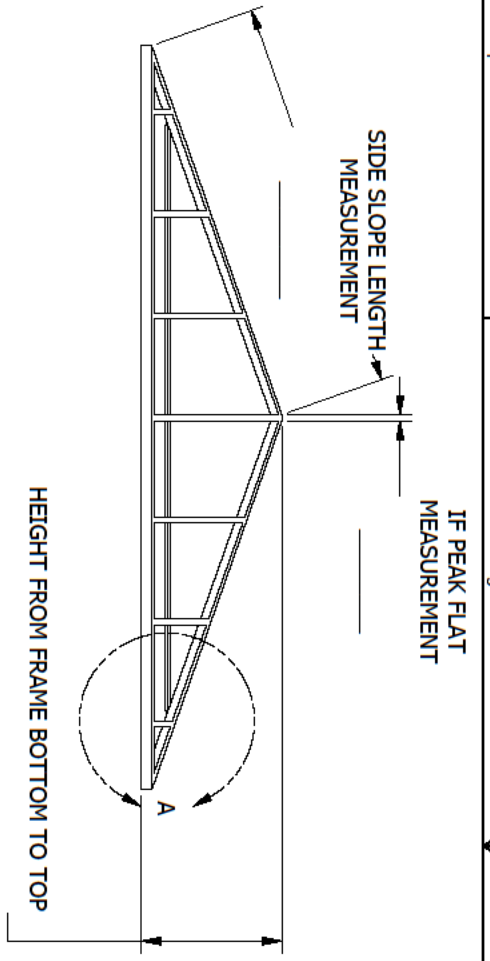
- A _____ OVERALL LENGTH OF FRAME
- B _____ INSIDE WIDTH OF FRAME
- C _____ LENGTH OF SIDE RAILS (W/O ENDS)
- D _____ OUTSIDE WIDTH OF FRAME

CONTACT INFORMATION

Name _____
 Address _____
 City _____ State _____ Zip _____
 Phone _____ Fax _____
 Boat Lift Brand _____

NOTES

| REVISIONS | | | | ISSUER |
|-----------|----------|-----------|-------------|--------|
| REV | ECN | DATE | DESCRIPTION | RML |
| A | EC-00469 | 10/4/2016 | RELEASE | |



SEND PICTURES AND IF NEEDED, ADD ANY ADDITIONAL FEATURES OR SKETCH THE VIEWS ON A SECOND PAGE.

TOLERANCES - UNLESS NOTED

DECIMAL F

FRACTION F

ANGLE F

NOTICE

THIS ILLUSTRATION IS THE PROPERTY OF RUSH-CO. AND MUST NOT BE USED IN ANY WAY DETRIMENTAL TO RUSH-CO'S INTERESTS.

1314 Walnut St. - Springfield, SD 57062

605-369-6000

RUSH-CO

TITLE: **HIP FRAME DETAIL SHEET**

DRAFT: RML

ENGR: CWG

DATE: 1/30/2015

DATE: 10/10/2016

SCALE

SHEET 1 OF 1

PART NO: **F-131**

SIZE **C**