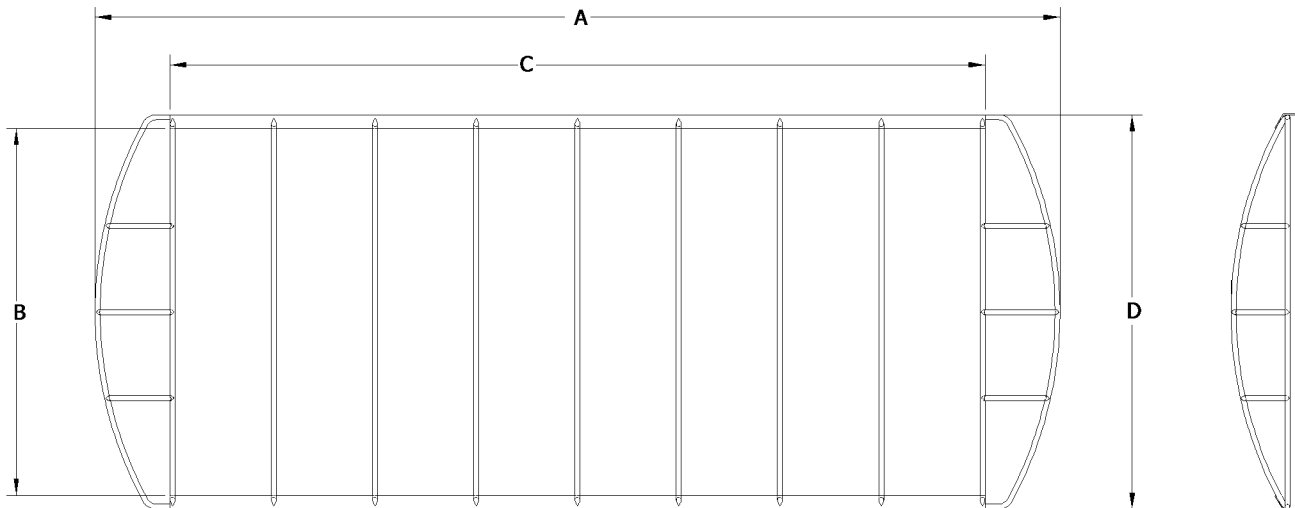


Attn: \_\_\_\_\_



**Shorestation™ Midwest Steel Frame  
 Specification Sheet**



**\*ALL MEASUREMENTS (±1")**

PART NO.	SIZE	INSIDE WIDTH "B"	SIDE RAIL LENGTH "C"	OUTSIDE WIDTH "D"
MS1900082	19' X 82"	82"	16' 4"	89"
MS1900098	19' X 98"	98"	16' 4"	105"
MS2100098	21' X 98"	98"	18' 4"	105"
MS2300098	23' X 98"	98"	20' 4"	105"
MS2300110	23' X 110"	110"	20' 4"	117"

**\*\*If dimensions don't match above,  
 fill out detail sheet on page 2\*\***

**ATTACHMENT**

Continuous bungee on each side and end connect by s-hook to holes punched in each bow

OR

Continuous bungee loops over plastic pucks at each bow

STANDARD VALANCE: 20" VALANCE

**OUTSIDE DIMENSIONS**

- A \_\_\_\_\_ OVERALL LENGTH OF FRAME
- B \_\_\_\_\_ INSIDE WIDTH OF FRAME
- C \_\_\_\_\_ LENGTH OF SIDE RAILS (W/O ENDS)
- D \_\_\_\_\_ OUTSIDE WIDTH OF FRAME

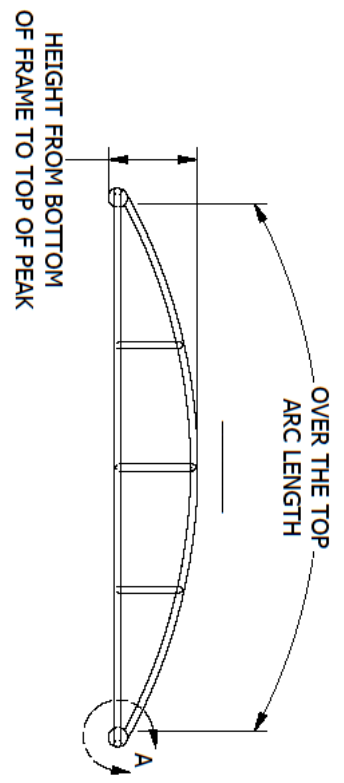
**CONTACT INFORMATION**

Name \_\_\_\_\_  
 Address \_\_\_\_\_  
 City \_\_\_\_\_ State \_\_\_\_\_ Zip \_\_\_\_\_  
 Phone \_\_\_\_\_ Fax \_\_\_\_\_  
 Boat Lift Brand \_\_\_\_\_

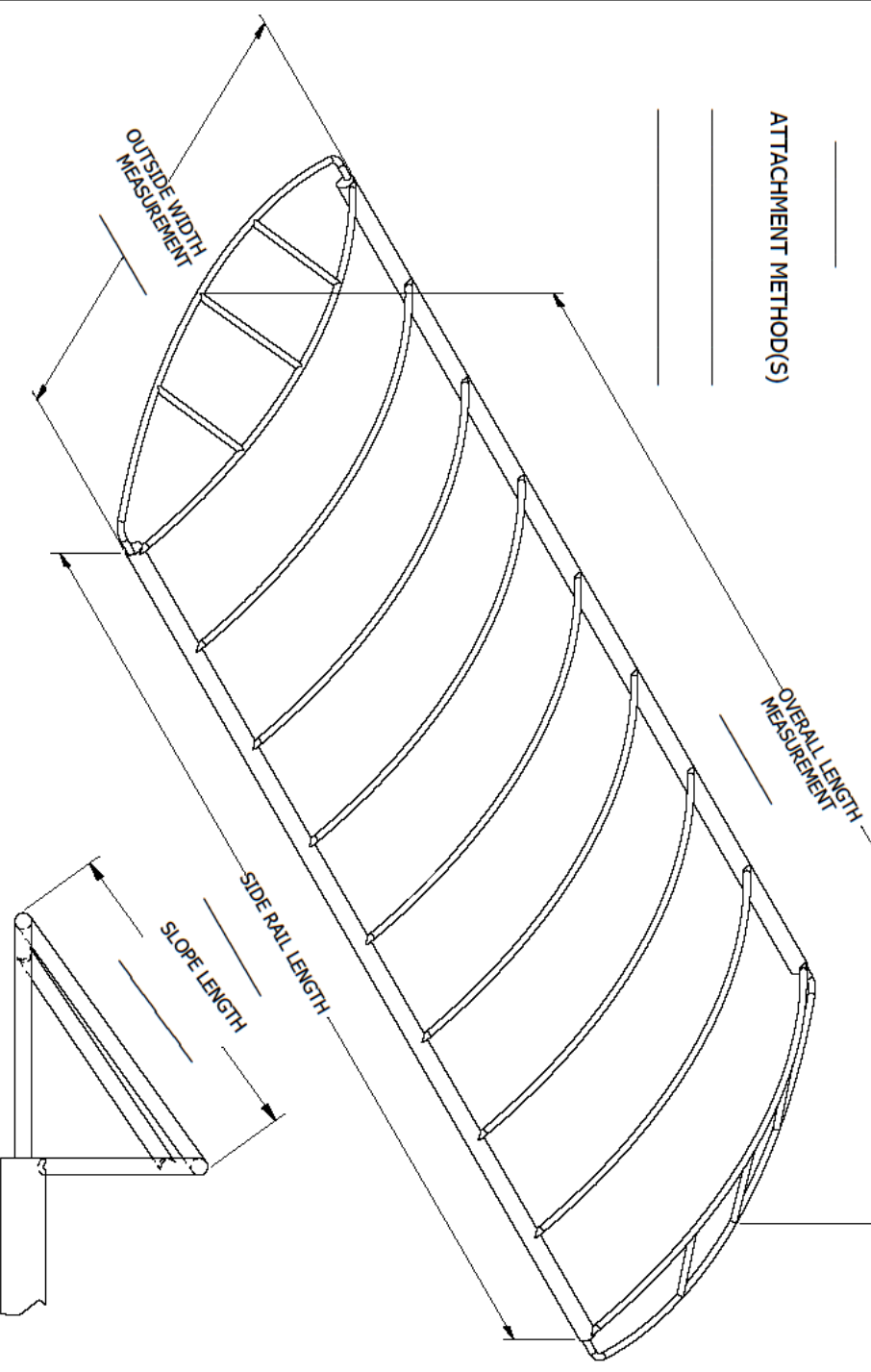
**NOTES**

\_\_\_\_\_  
 \_\_\_\_\_  
 \_\_\_\_\_

REVISIONS				ISSUER
REV	ECN	DATE	DESCRIPTION	
A	EC-00469	10/4/2016	RELEASE	RML

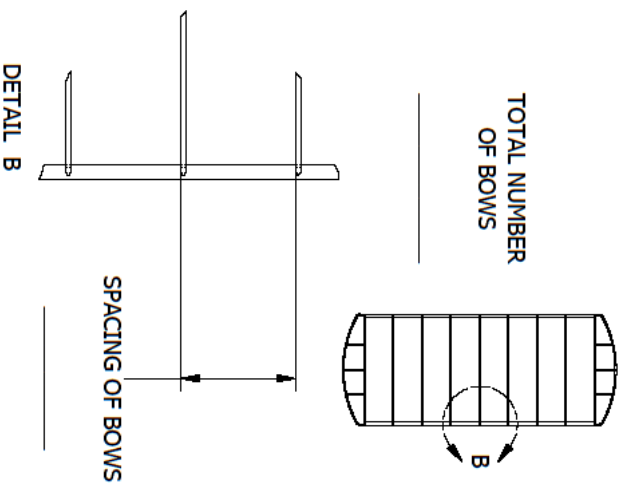
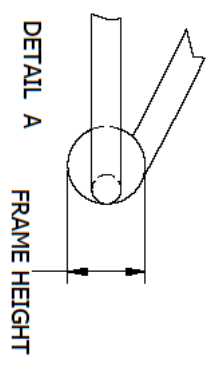
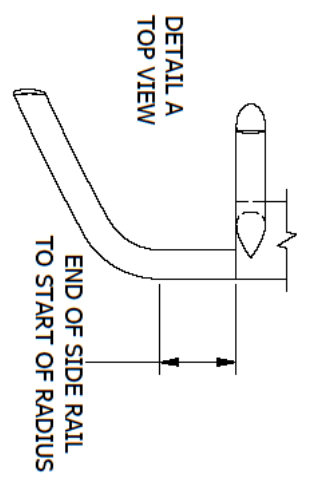


ATTACHMENT METHOD(S)



SEND PICTURES AND IF NEEDED, ADD ANY ADDITIONAL  
FEATURES OR SKETCH THE VIEWS ON A SECOND PAGE.

LOOKING AT END CAP FROM SIDE  
MEASURE ON CENTERLINE



TOLERANCES - UNLESS NOTED

DECIMAL ±

FRACTION ±

ANGLE ±

NOTICE: THIS ILLUSTRATION IS THE PROPERTY OF RUSH-CO. AND MUST NOT BE USED IN ANY WAY DETRIMENTAL TO RUSH-CO'S INTERESTS.

1314 Walnut St. - Springfield, SD 57062

605-369-0000

**RUSH-CO**

TITLE: **ROUNDED END FRAME DETAIL SHEET**

DRAWN BY: RML

DATE: 4/10/2014

SCALE: 1:1

SHEET: 1

PART NO.: F-135

SIZE: C