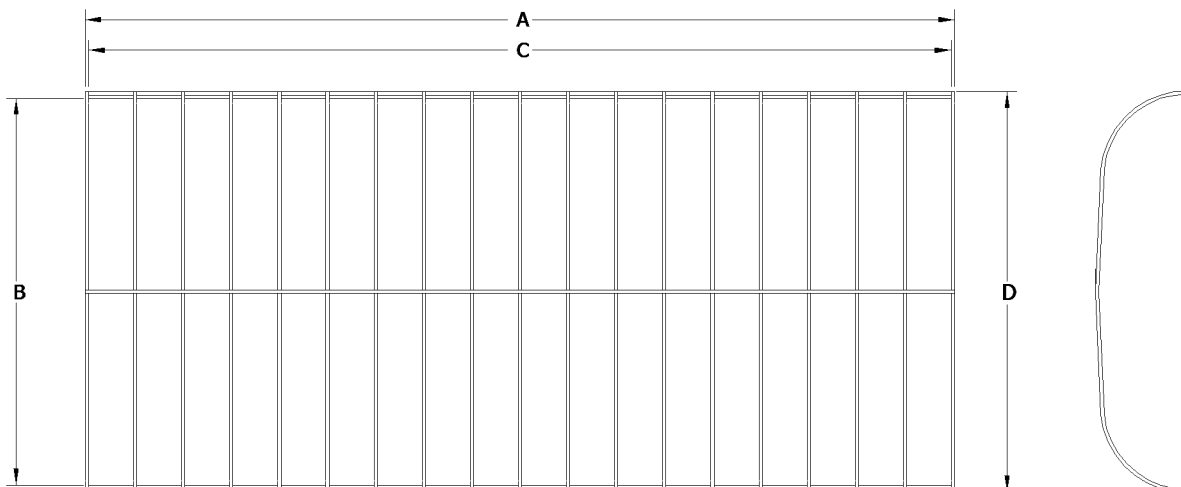


Attn: _____



Vibo® Frame Specification Sheet



***ALL MEASUREMENTS (±1")**

PART NO.	SIZE	OVERALL LENGTH "A"	INSIDE WIDTH "B"	SIDE RAIL LENGTH "C"	OUTSIDE WIDTH "D"
VB2000096	20' X 96"	20'	96"	19' 8"	102"
VB2200096	22' X 96"	22'	96"	21' 8"	102"
VB2400096	24' X 96"	24'	96"	23' 8"	102"
VB2600096	26' X 96"	26'	96"	25' 8"	102"
VB2800096	28' X 96"	28'	96"	27' 8"	102"
VB2000108	20' X 108"	20'	108"	19' 8"	114"
VB2200108	22' X 108"	22'	108"	21' 8"	114"
VB2400108	24' X 108"	24'	108"	23' 8"	114"
VB2600108	26' X 108"	26'	108"	25' 8"	114"
VB2800108	28' X 108"	28'	108"	27' 8"	114"
VB2200114	22' X 114"	22'	114"	21' 8"	120"
VB2400114	24' X 114"	24'	114"	23' 8"	120"
VB2600114	26' X 114"	26'	114"	25' 8"	120"
VB2800114	28' X 114"	28'	114"	27' 8"	120"
VB2200120	22' X 120"	22'	120"	21' 8"	126"
VB2400120	24' X 120"	24'	120"	23' 8"	126"
VB2600120	26' X 120"	26'	120"	25' 8"	126"
VB2800120	28' X 120"	28'	120"	27' 8"	126"

ATTACHMENT

Continuous bungee runs along all four sides and loops over a small hook attached to each bow.

STANDARD VALANCE: 10" VALANCE

OUTSIDE DIMENSIONS

- A _____ OVERALL LENGTH OF FRAME
- B _____ INSIDE WIDTH OF FRAME
- C _____ LENGTH OF SIDE RAILS (W/O ENDS)
- D _____ OUTSIDE WIDTH OF FRAME

CONTACT INFORMATION

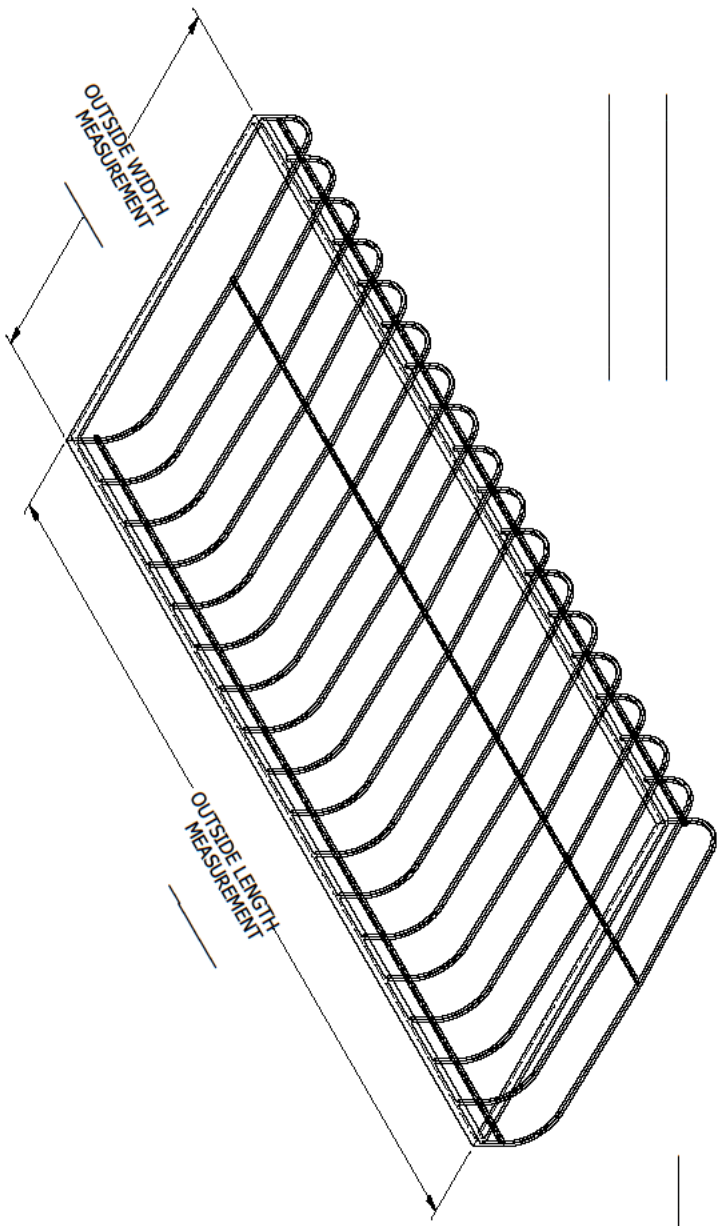
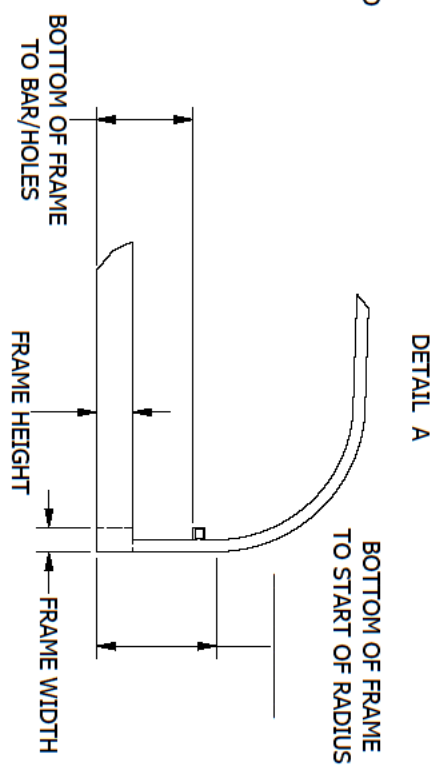
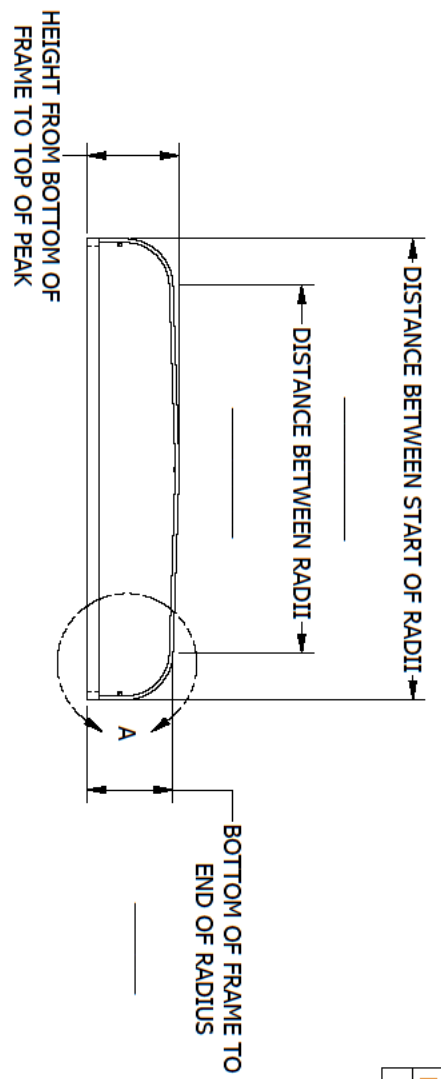
Name _____
 Address _____
 City _____ State _____ Zip _____
 Phone _____ Fax _____
 Boat Lift Brand _____

****If dimensions don't match above, fill out detail sheet on page 2****

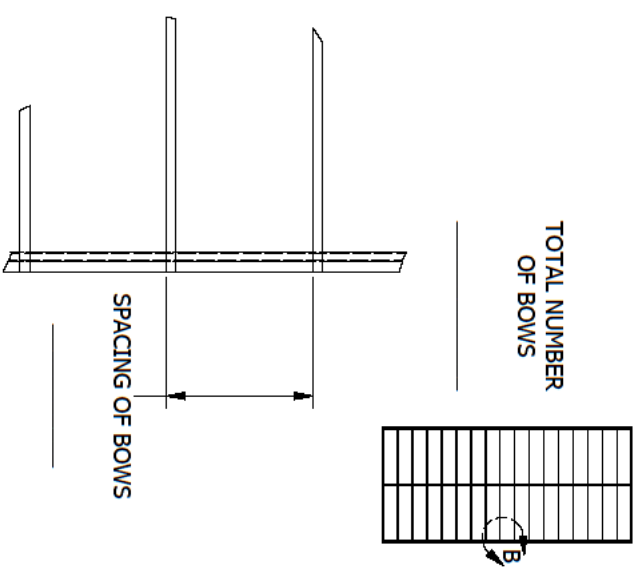
NOTES

REV	ECN	DATE	DESCRIPTION	ISSUER
A	EC-00469	10/4/2016	RELEASE	RML

REVISIONS



SEND PICTURES AND IF NEEDED, ADD ANY ADDITIONAL FEATURES OR SKETCH THE VIEWS ON A SECOND PAGE.



TOLERANCES - UNLESS NOTED

DECIMAL F

FRACTION F

ANGLE F

NOTICE

THIS ILLUSTRATION IS THE PROPERTY OF RUSH-CO. AND MUST NOT BE USED IN ANY WAY DETRIMENTAL TO RUSH-CO'S INTERESTS.

1314 Walnut St. - Springfield, SD 57062

605-369-6000

605-369-6000

DRFT: TJS

ENGR: CWS

DATE: 4/10/2014

DATE: 10/10/2016

SCALE: 1/1

SHEET: 1/1

PART NO: F-130

SIZE: C

TITLE: **FLAT FRONT FRAME DETAIL SHEET**