

## All Fields Required!

Customer: \_\_\_\_\_

### (1) Conestoga End Flap

- D-ring (Default 18")
- Webbing in Pocket
  - Strap Width:  1" /  2"
- Cable in Pocket

### (2) Main Tension / Cover Tie Down

(Along length of building)

- D-ring
- Pipe and Ratchet
  - Ratchet Location:
    - Outside of Building
    - Inside of Building (Default 18" above base)
      - External Flap (Default 24" below base)

### (3) End Tension / Wind Tension

(Inside of the building attaching cover to end bow or end trusses)

- D-ring and Lacing
- PVC and Ratchet
- None

### (4) Accessories / Options

- \_\_\_\_\_ Primary Color
- \_\_\_\_\_ Conestoga Ends:  6 ft. /  12 ft.
- \_\_\_\_\_ Stripes:  6 ft. /  12 ft. (Indicate location of stripes on Page 3)
- Ridge Vents
- Awning (Need exact cover measurements)
- Multi-Cover Joints:  Not Applicable /  Keder /  PVC Splice  
(Need exact cover measurements)

### Replacement Hardware

- \_\_\_\_\_ Feet of New 1" Lacing (200070)
- \_\_\_\_\_ Number of New 1" Cam Buckles (300261)
- \_\_\_\_\_ Number of New Wind Tension 1" Ratchets (1117819)
- \_\_\_\_\_ Number of New Main Tension:
  - 1" Ratchet Kits (300508) /  2" Winch Kits (301178 / 301179)
- \_\_\_\_\_ Number of New Straps:  1" (1117195) /  2" (300320)
- \_\_\_\_\_ Number of New 10 ft. Wind Tension PVC (200062)
- \_\_\_\_\_ Feet of New Main Tension Pipe: \_\_\_\_\_ Size (1700048 / 300884)

### (5) Building Dimension Information

Frame Make/Model: \_\_\_\_\_

Fill out Page 2 with building diagram dimension information and Page 3 with total cover dimensions.

**Accurate information is important.**

**Pictures are encouraged to ensure proper fit.**

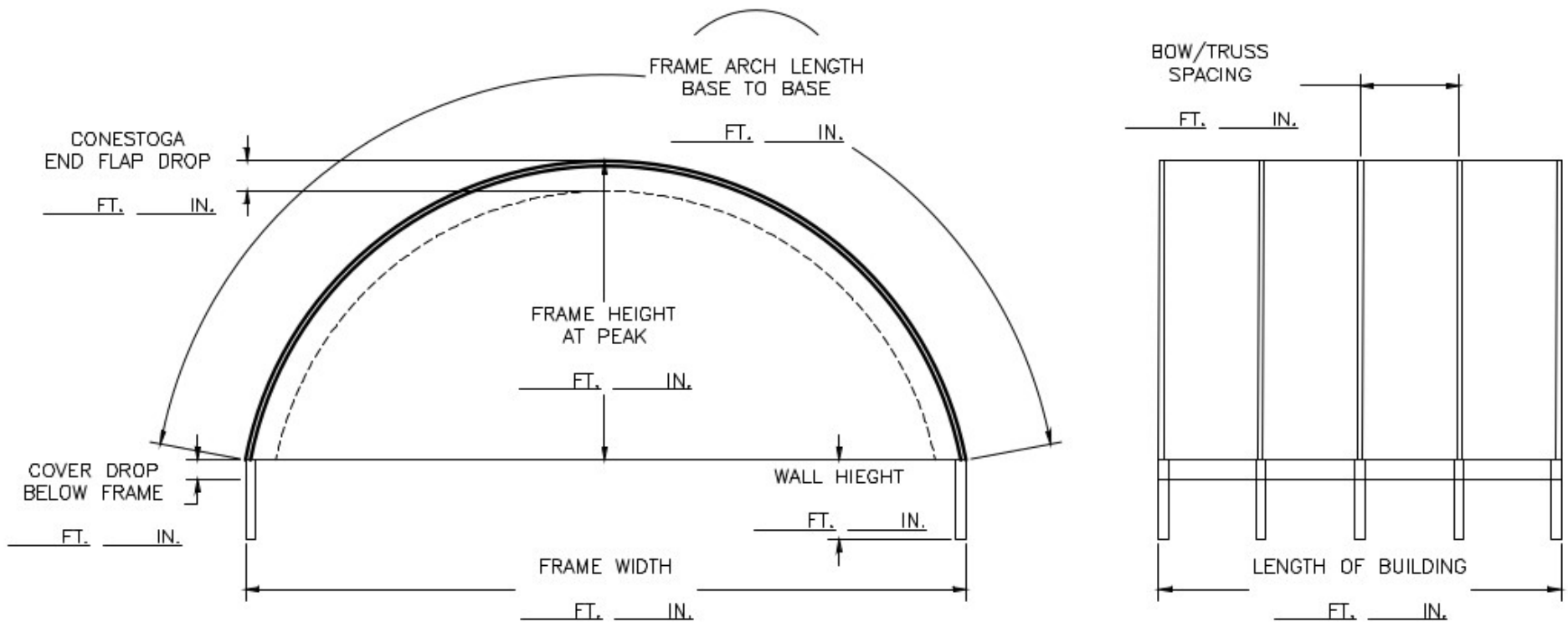


Rush-Co  
1314 Walnut Street  
Springfield, SD 57062

Toll free: 866-776-5617  
Fax: 605-369-2112  
Email: info@rushmorebuildings.com

**1**  
RPL DETAIL SHEET  
P/N 300718

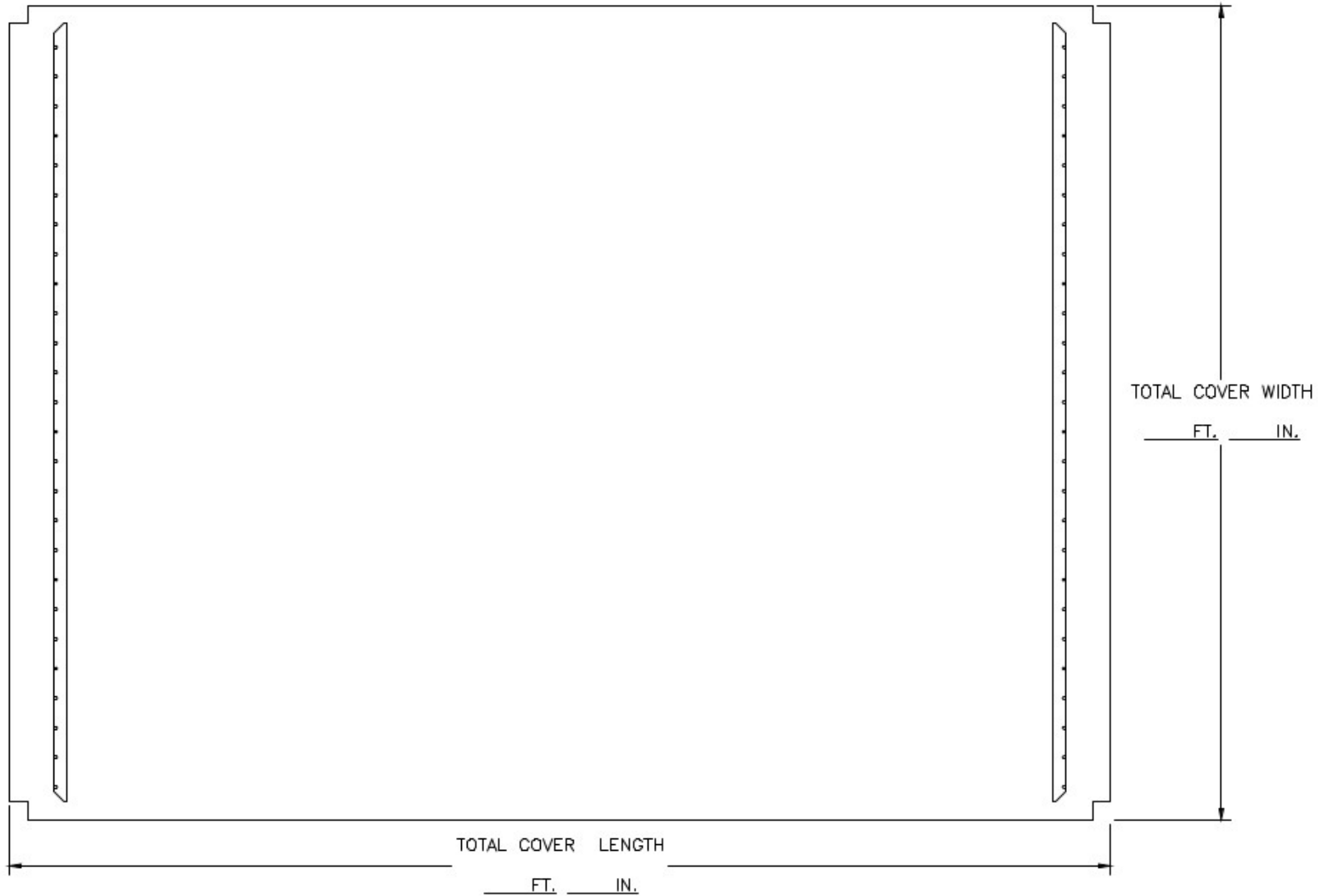
# All Fields Required!



**Rush-Co**  
1314 Walnut Street  
Springfield, SD 57062

Toll free: 866-776-5617  
Fax: 605-369-2112  
Email: [info@rushmorebuildings.com](mailto:info@rushmorebuildings.com)

# All Fields Required!



**Rush-Co**  
1314 Walnut Street  
Springfield, SD 57062

Toll free: 866-776-5617  
Fax: 605-369-2112  
Email: [info@rushmorebuildings.com](mailto:info@rushmorebuildings.com)