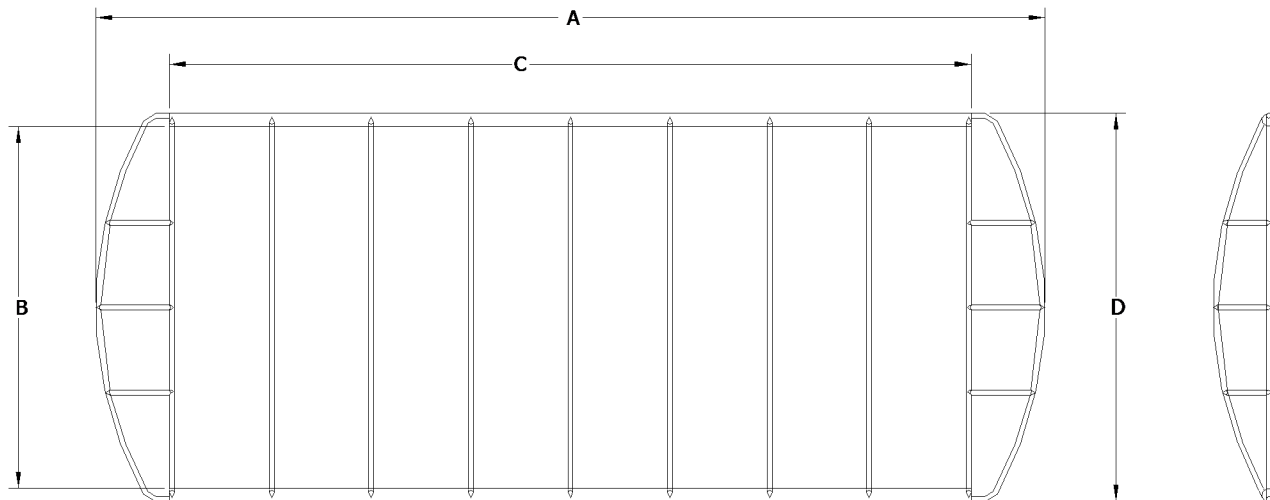


Attn: \_\_\_\_\_



**Lake Shore Products® Frame  
 Specification Sheet**



**\*ALL MEASUREMENTS (±1")**

PART NO.	SIZE	INSIDE WIDTH "B"	SIDE RAIL LENGTH "C"	OUTSIDE WIDTH "D"
LS1800100	18' X 100"	99 1/4"	16'	107 1/4"
LS2000100	20' X 100"	99 1/4"	18'	107 1/4"
LS2200108	22' X 108"	107 1/4"	20'	115 1/4"
LS2400108	24' X 108"	107 1/4"	22'	115 1/4"
LS2600108	26' X 108"	107 1/4"	24'	115 1/4"
LS2200120	22' x 120"	119 1/4"	20'	127 1/4"
LS2400120	24' X 120"	119 1/4"	22'	127 1/4"
LS2600120	26' X 120"	119 1/4"	24'	127 1/4"
LS2800120	28' X 120"	119 1/4"	26'	127 1/4"
LS3000120	30' X 120"	119 1/4"	28'	127 1/4"

**\*\*If dimensions don't match above,  
 fill out detail sheet on page 2\*\***

**ATTACHMENT**

Grommet strip, customer supplied spring, rope or zip tie for continuous bungee on each side and end, connected by s-hook to holes punched in each bow

STANDARD VALANCE: 20" VALANCE

**OUTSIDE DIMENSIONS**

- A \_\_\_\_\_ OVERALL LENGTH OF FRAME
- B \_\_\_\_\_ INSIDE WIDTH OF FRAME
- C \_\_\_\_\_ LENGTH OF SIDE RAILS (W/O ENDS)
- D \_\_\_\_\_ OUTSIDE WIDTH OF FRAME

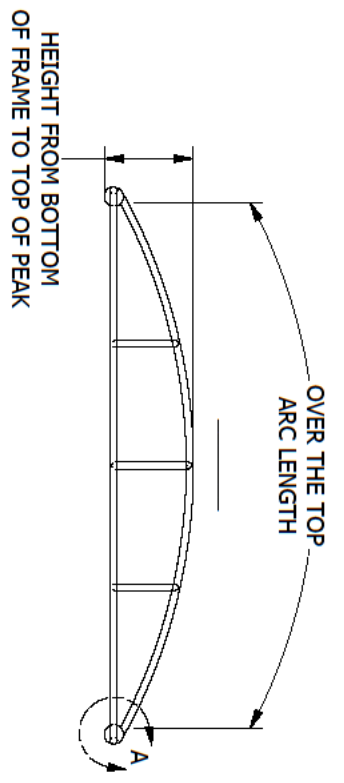
**CONTACT INFORMATION**

Name \_\_\_\_\_  
 Address \_\_\_\_\_  
 City \_\_\_\_\_ State \_\_\_\_\_ Zip \_\_\_\_\_  
 Phone \_\_\_\_\_ Fax \_\_\_\_\_  
 Boat Lift Brand \_\_\_\_\_

**NOTES**

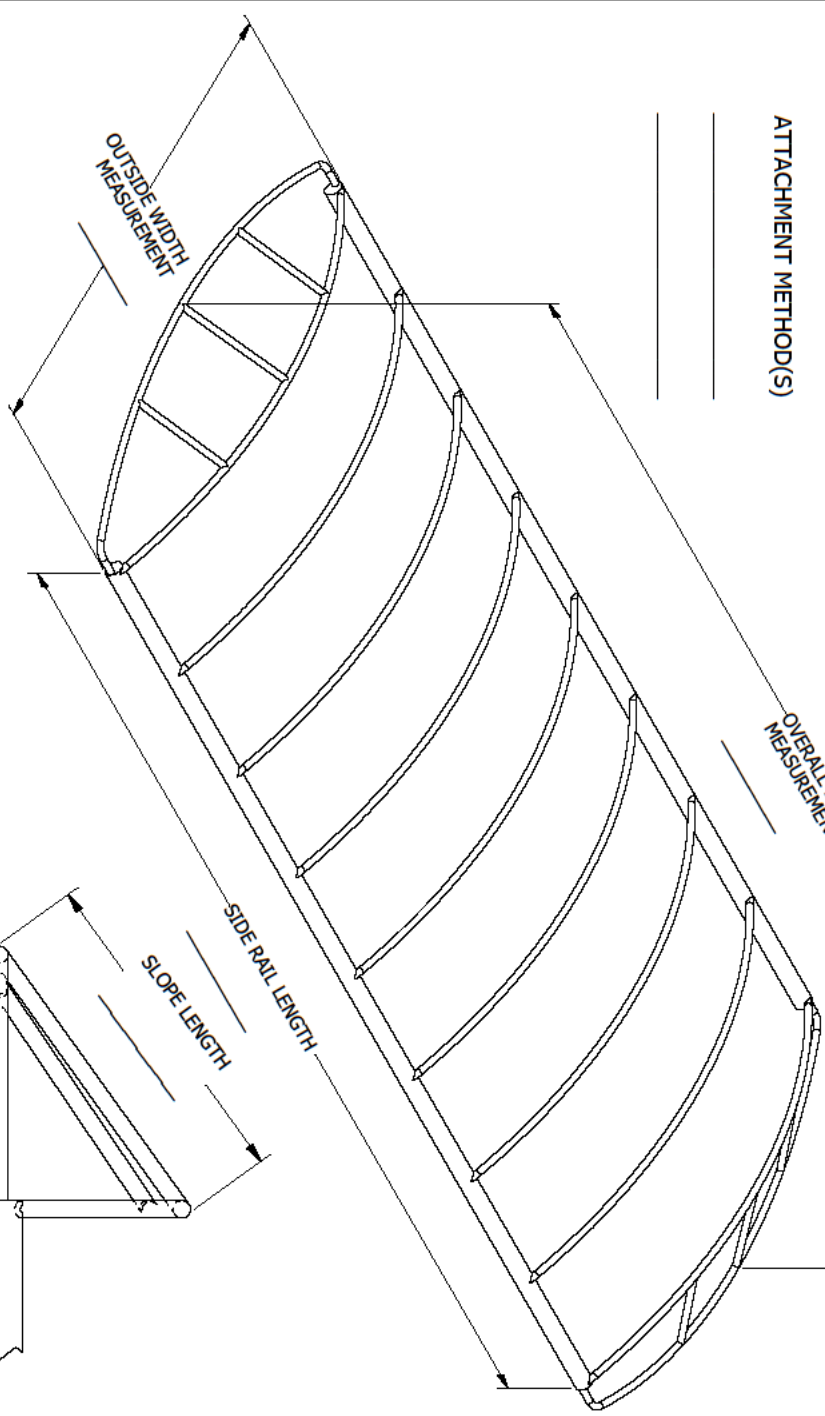
\_\_\_\_\_  
 \_\_\_\_\_  
 \_\_\_\_\_

REVISIONS				ISSUER
REV	ECN	DATE	DESCRIPTION	RML
A	EC-00469	10/4/2016	RELEASE	RML



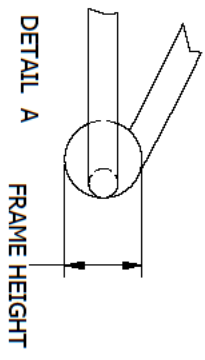
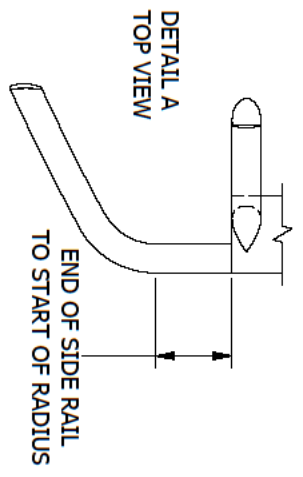
ATTACHMENT METHOD(S)

OVERALL LENGTH MEASUREMENT

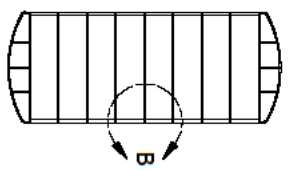


SEND PICTURES AND IF NEEDED, ADD ANY ADDITIONAL FEATURES OR SKETCH THE VIEWS ON A SECOND PAGE.

LOOKING AT END CAP FROM SIDE MEASURE ON CENTERLINE



TOTAL NUMBER OF BOWS



SPACING OF BOWS

DETAIL B

**TOLERANCES - UNLESS NOTED**

DECIMAL F. FRACTION F. ANGLE F.

**RUSH-CO**

1314 Walnut St. - Springfield, SD 57062 605-369-6000

**TITLE: ROUNDED END FRAME DETAIL SHEET**

DRAFT: RML DATE: 4/10/2014 SHEET: 1 OF 1 PART NO: F-135

ENGR: CWS DATE: 10/10/2016

SCALE: 1:1

SIZE: C

NOTICE: THIS ILLUSTRATION IS THE PROPERTY OF RUSH-CO. AND MUST NOT BE USED IN ANY WAY DETRIMENTAL TO RUSH-CO'S INTERESTS.