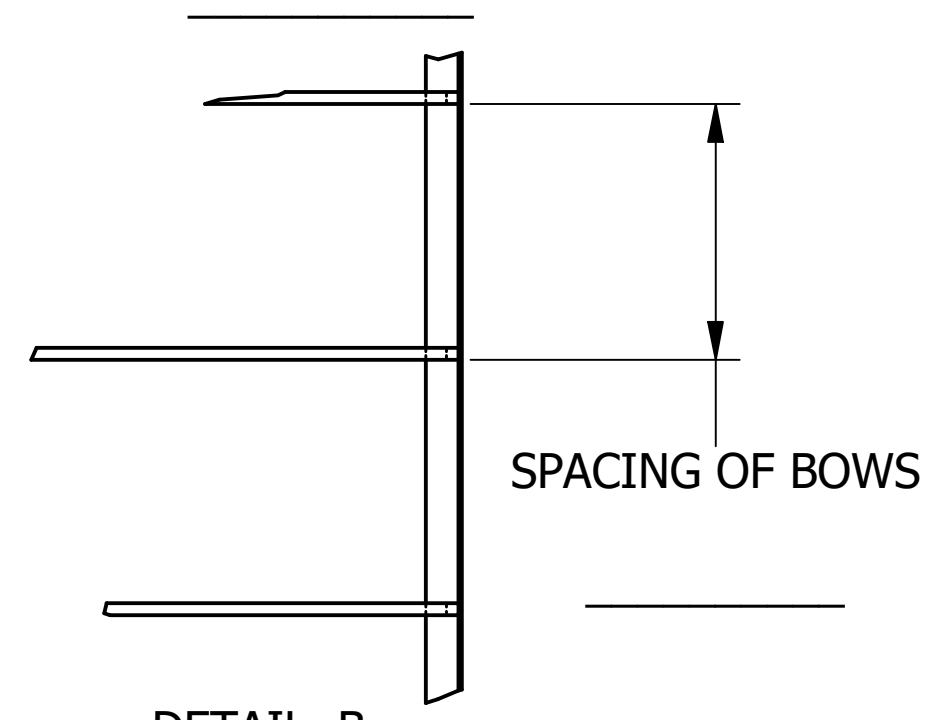
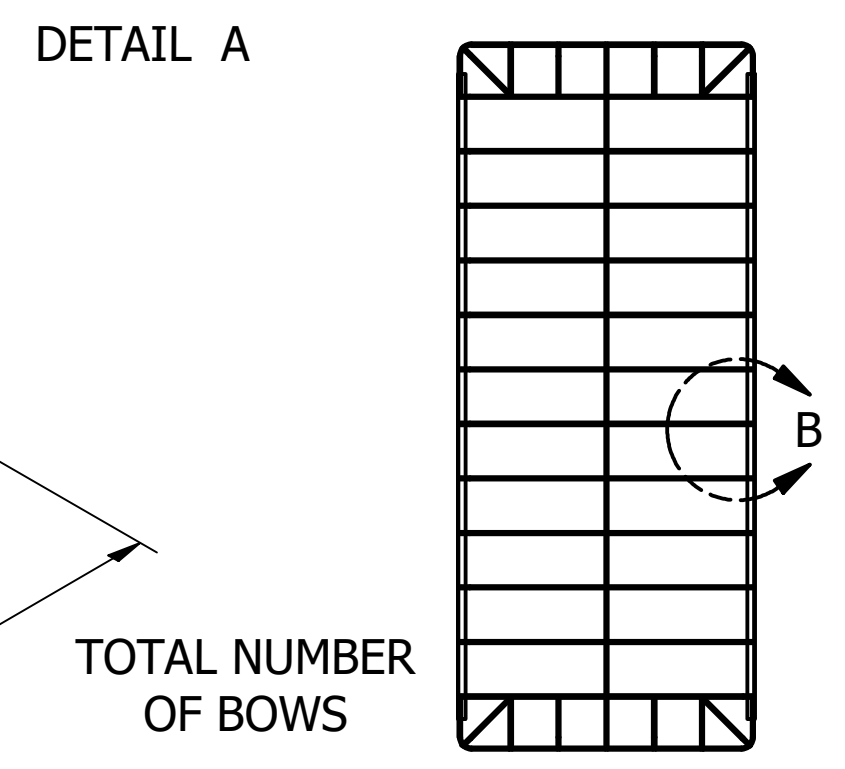
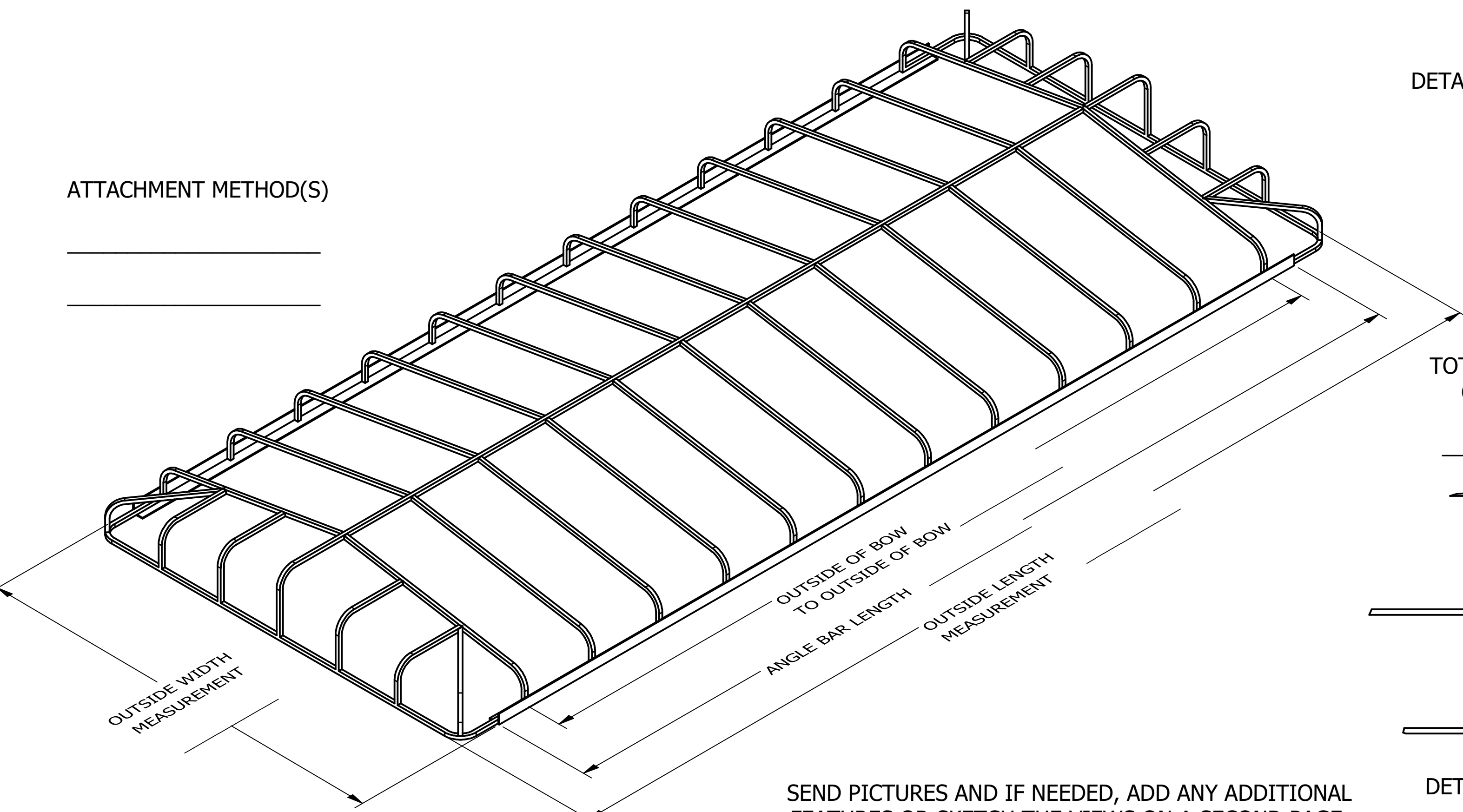
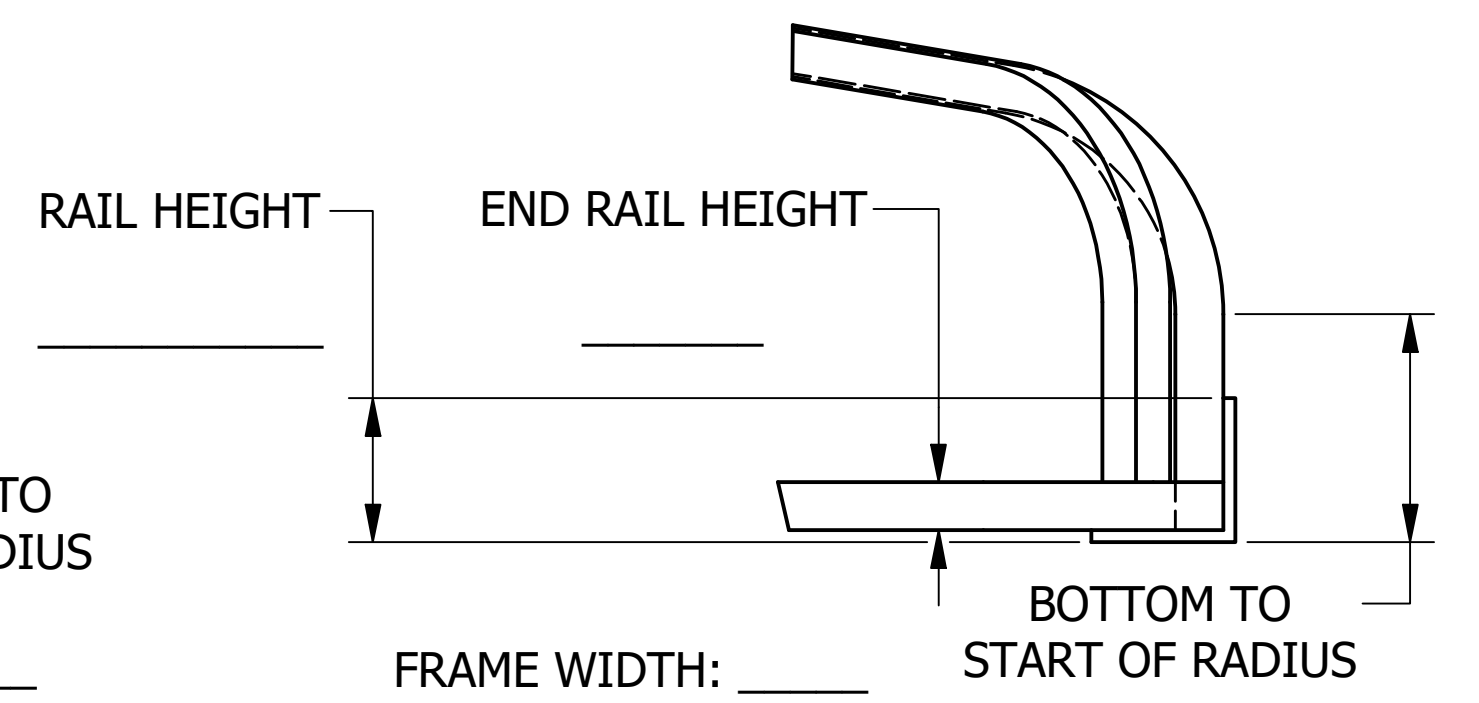
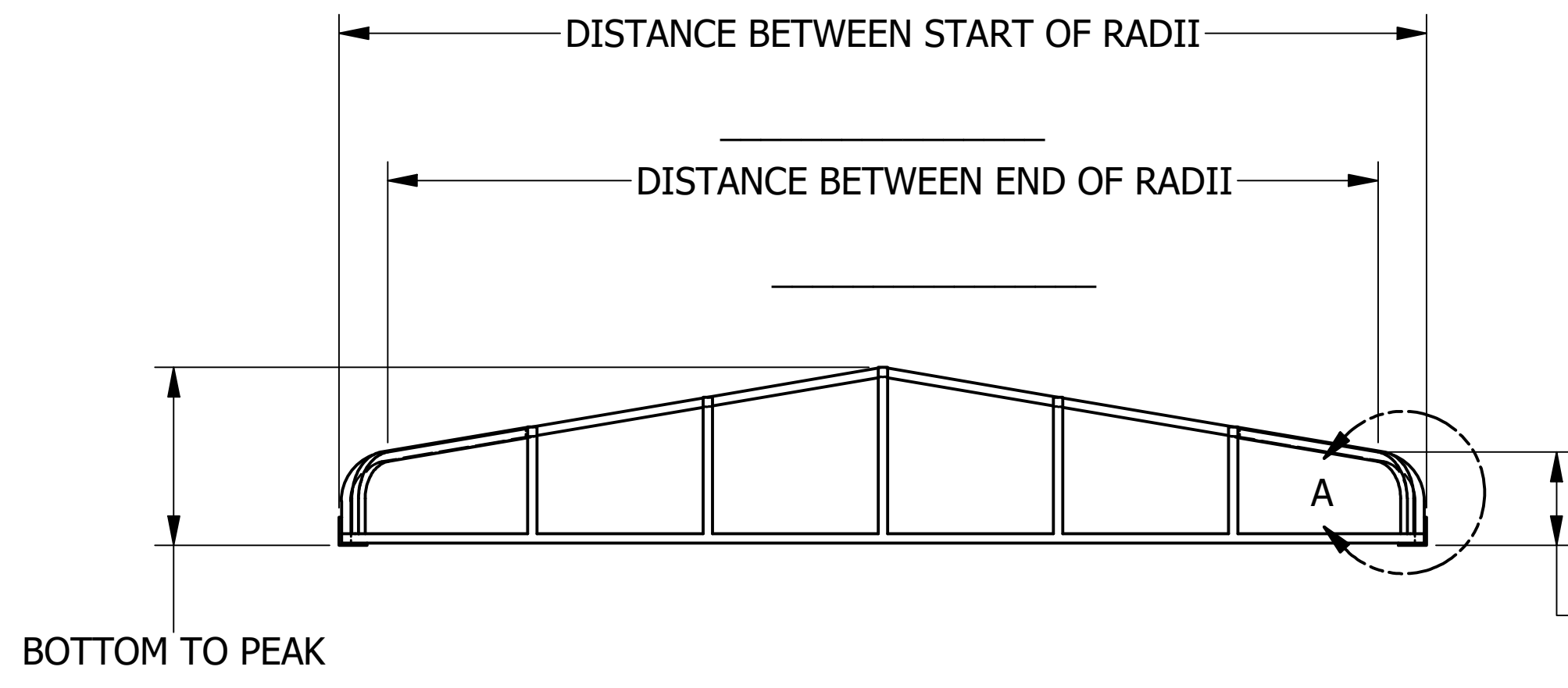


REVISIONS				
REV	ECN	DATE	DESCRIPTION	ISSUER
A	EC-00469	10/4/2016	RELEASE	RML
B	EC-00818	1/22/2019	UPDATED DIMENSIONS	RML
C		4/14/2020	ADDED DIMENSION	RML



SEND PICTURES AND IF NEEDED, ADD ANY ADDITIONAL FEATURES OR SKETCH THE VIEWS ON A SECOND PAGE.

TOLERANCES - UNLESS NOTED  
 DECIMAL ±  
 FRACTION ±  
 ANGLE ±



1314 Walnut St. - Springfield, SD 57062 605-369-6000

**NOTICE** THIS ILLUSTRATION IS THE PROPERTY OF RUSH-CO, AND MUST NOT BE USED IN ANY WAY DETRIMENTAL TO RUSH-CO'S INTERESTS.

TITLE: <b>AQUAMATIC STYLE FRAME DETAIL SHEET</b>		SIZE <b>C</b>	
DRFT: <b>RML</b>	DATE <b>10/4/2016</b>	SCALE	SHEET <b>1</b>
ENGR: <b>CWG</b>	DATE <b>10/10/2016</b>		PART NO: <b>F-128</b>