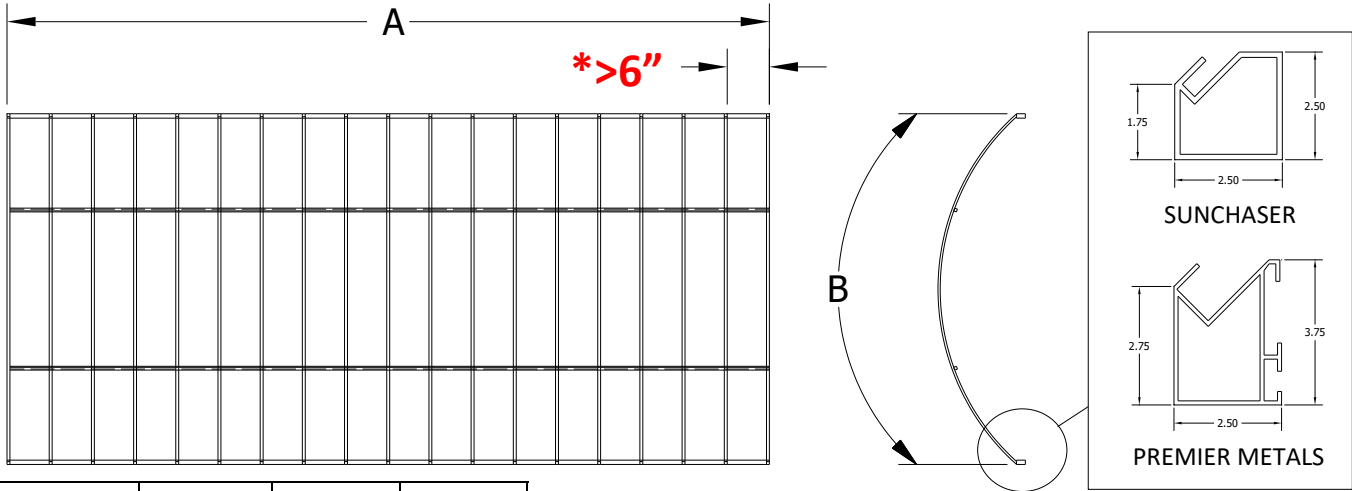




**Premier Metals/Sunchaser Frame
 Specification Sheet**



PREMIER METALS PART NO.	SIZE	OVERALL LENGTH "A"	ARC LENGTH "B"
PMB1800130	18' X 130"	18'	130"
PMB2000130	20' X 130"	20'	130"
PMB2200130	22' X 130"	22'	130"
PMB2400130	24' X 130"	24'	130"
PMB2600130	26' X 130"	26'	130"
PMB2800130	28' X 130"	28'	130"
PMB3000130	30' X 130"	30'	130"
PMB3200130	32' X 130"	32'	130"
PMB3400130	34' X 130"	34'	130"
PMB1800135	18' X 135"	18'	135"
PMB2000135	20' X 135"	20'	135"
PMB2200135	22' X 135"	22'	135"
PMB2400135	24' X 135"	24'	135"
PMB2600135	26' X 135"	26'	135"
PMB2800135	28' X 135"	28'	135"
PMB3000135	30' X 135"	30'	135"
PMB3200135	32' X 135"	32'	135"
PMB2400135	34' X 135"	34'	135"
PMB1800143	18' X 143"	18'	143"
PMB2000143	20' X 143"	20'	143"
PMB2200143	22' X 143"	22'	143"
PMB2400143	24' X 143"	24'	143"
PMB2600143	26' X 143"	26'	143"
PMB2800143	28' X 143"	28'	143"
PMB3000143	30' X 143"	30'	143"
PMB3200143	32' X 143"	32'	143"
PMB3400143	34" X 143"	34'	143"

ATTACHMENT

The male buckle wraps around the bottom of the canopy frame while the female buckle wraps around the top of the canopy frame.

* If the distance to the first bow is greater than 6", an extension will be required. Part number: 302187

NOTE rail style in detail above to determine If Premier Metals or Sunchaser

OUTSIDE DIMENSIONS

A _____ OVERALL LENGTH OF FRAME
 B _____ ARC LENGTH OF FRAME

STANDARD VALANCE: 12" VALANCE
 TOWER VALANCE: 30" VALANCE

CONTACT INFORMATION

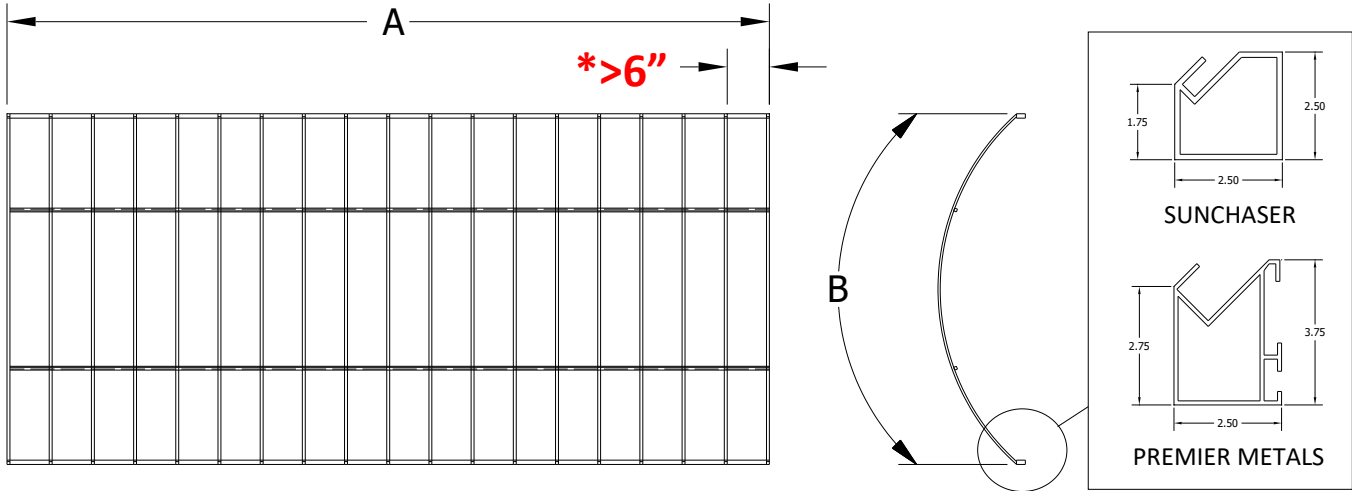
Name _____
 Address _____
 City _____ State _____ Zip _____
 Phone _____ Fax _____
 Boat Lift Brand _____

NOTES

****ALL MEASUREMENTS (±1")**



**Premier Metals/Sunchaser Frame
 Specification Sheet**



SUNCHASER PART NO.	SIZE	OVERALL LENGTH "A"	ARC LENGTH "B"
SCB1800126	18' X 126"	18'	126"
SCB2000126	20' X 126"	20'	126"
SCB2200126	22' X 126"	22'	126"
SCB2400126	24' X 126"	24'	126"
SCB2600126	26' X 126"	26'	126"
SCB2800126	28' X 126"	28'	126"
SCB3000126	30' X 126"	30'	126"
SCB3200126	32' X 126"	32'	126"
SCB3400126	34' X 126"	34'	126"
SCB1800143	18' X 143"	18'	143"
SCB2000143	20' X 143"	20'	143"
SCB2200143	22' X 143"	22'	143"
SCB2400143	24' X 143"	24'	143"
SCB2600143	26' X 143"	26'	143"
SCB2800143	28' X 143"	28'	143"
SCB3000143	30' X 143"	30'	143"
SCB3200143	32' X 143"	32'	143"
SCB2400143	34' X 143"	34'	143"

****ALL MEASUREMENTS (±1")**

ATTACHMENT

The male buckle wraps around the bottom of the canopy frame while the female buckle wraps around the top of the canopy frame.

* If the distance to the first bow is greater than 6", an extension will be required. Part number: 302187

NOTE rail style in detail above to determine If Premier Metals or Sunchaser

OUTSIDE DIMENSIONS

A _____ OVERALL LENGTH OF FRAME
 B _____ ARC LENGTH OF FRAME

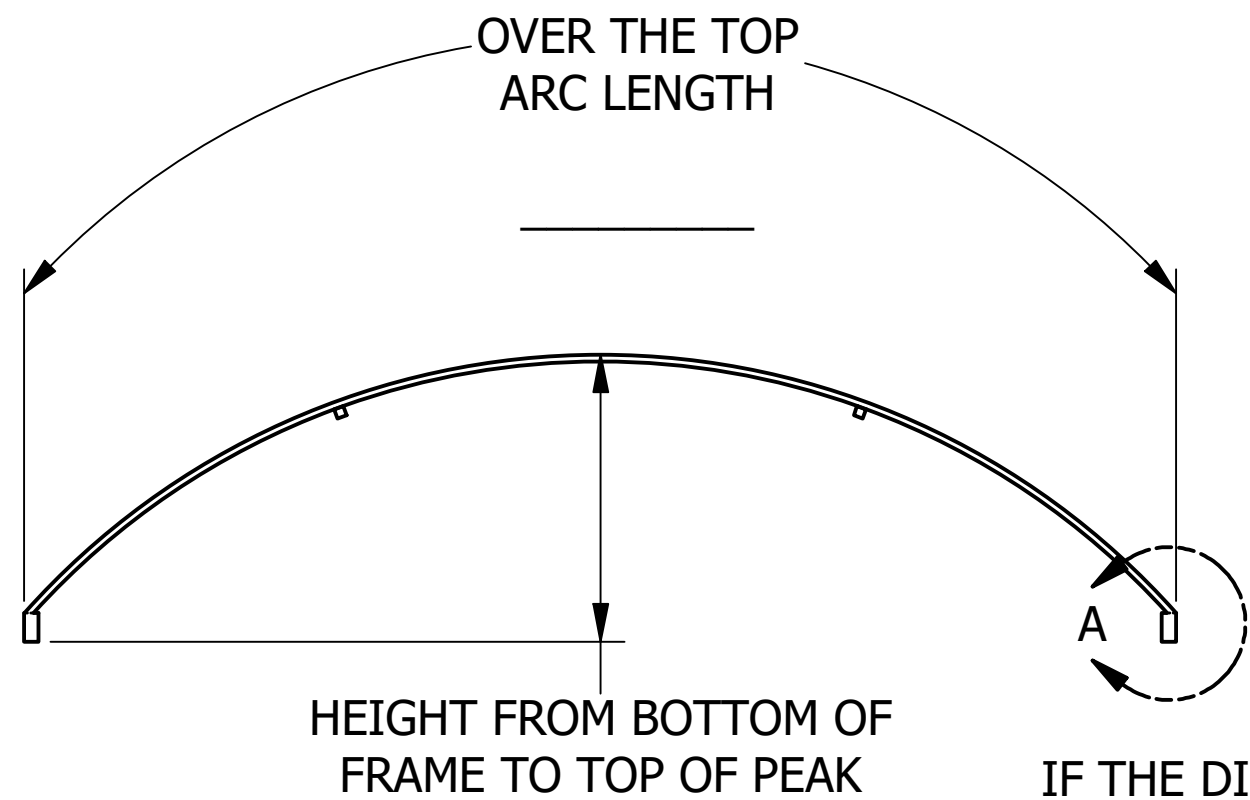
STANDARD VALANCE: 12" VALANCE
 TOWER VALANCE: 30" VALANCE

CONTACT INFORMATION

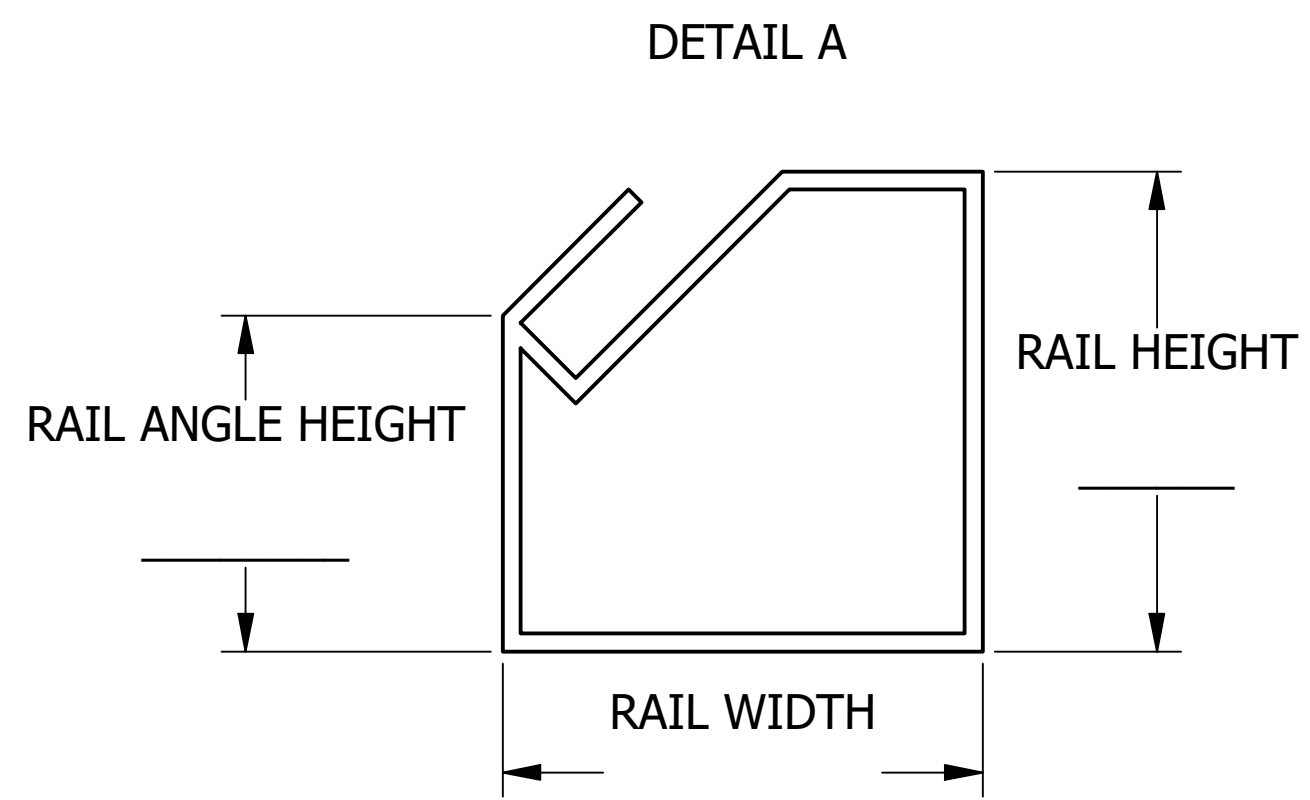
Name _____
 Address _____
 City _____ State _____ Zip _____
 Phone _____ Fax _____
 Boat Lift Brand _____

NOTES

REVISIONS				
REV	ECN	DATE	DESCRIPTION	ISSUER
A	EC-00469	10/4/2016	RELEASE	RML
B	EC-00957	2/17/2021	UPDATED SIDE RAIL DETAIL	RML



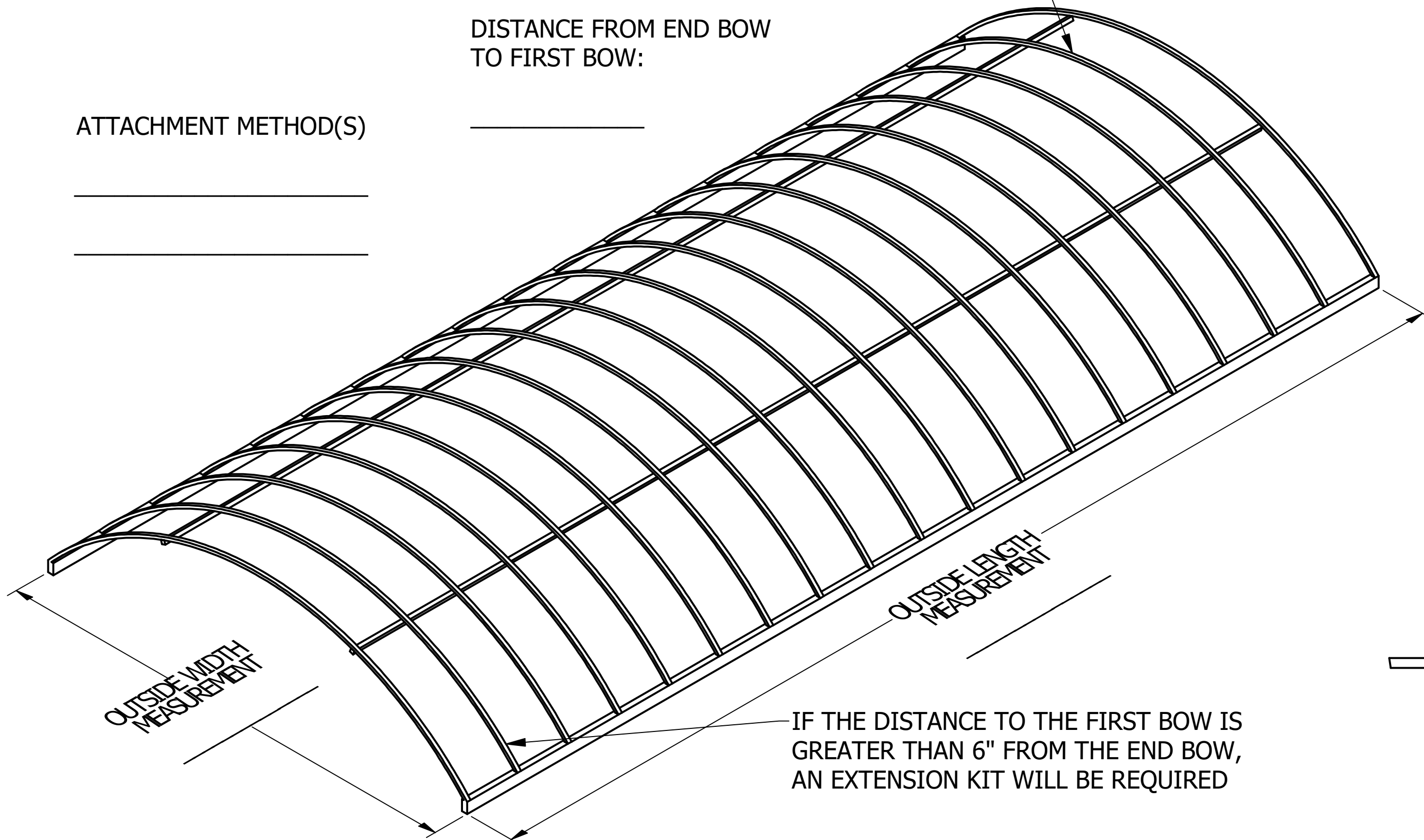
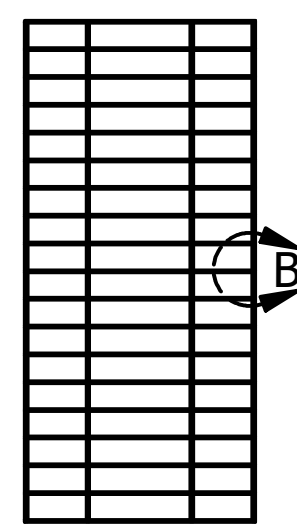
IF THE DISTANCE TO THE FIRST BOW IS GREATER THAN 6" FROM THE END BOW, AN EXTENSION KIT WILL BE REQUIRED



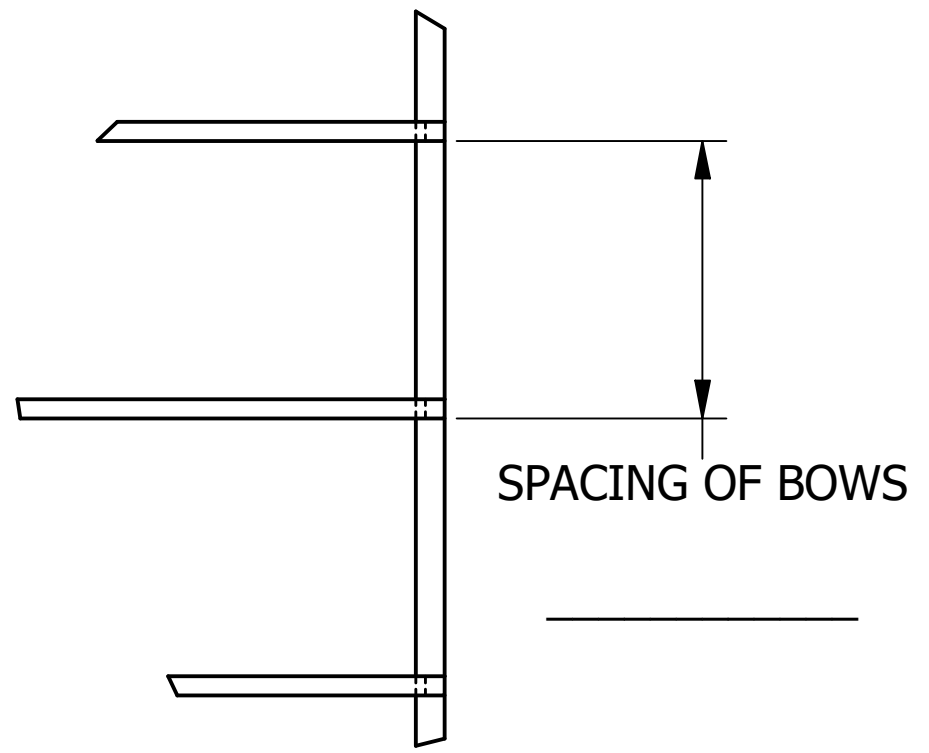
DISTANCE FROM END BOW TO FIRST BOW:

ATTACHMENT METHOD(S)

TOTAL NUMBER OF BOWS



IF THE DISTANCE TO THE FIRST BOW IS GREATER THAN 6" FROM THE END BOW, AN EXTENSION KIT WILL BE REQUIRED



SEND PICTURES AND IF NEEDED, ADD ANY ADDITIONAL FEATURES OR SKETCH THE VIEWS ON A SECOND PAGE.

TOLERANCES - UNLESS NOTED
DECIMAL ±
FRACTION ±
ANGLE ±
NOTICE



1314 Walnut St. - Springfield, SD 57062 605-369-6000

TITLE: OPENED END HOOP FRAME DETAIL SHEET		SIZE C
DRFT: RML	DATE 10/10/2016	SCALE
ENGR: CWG	DATE 10/10/2016	SHEET 1/1
PART NO: F-132		

THIS ILLUSTRATION IS THE PROPERTY OF RUSH-CO, AND MUST NOT BE USED IN ANY WAY DETRIMENTAL TO RUSH-CO'S INTERESTS.