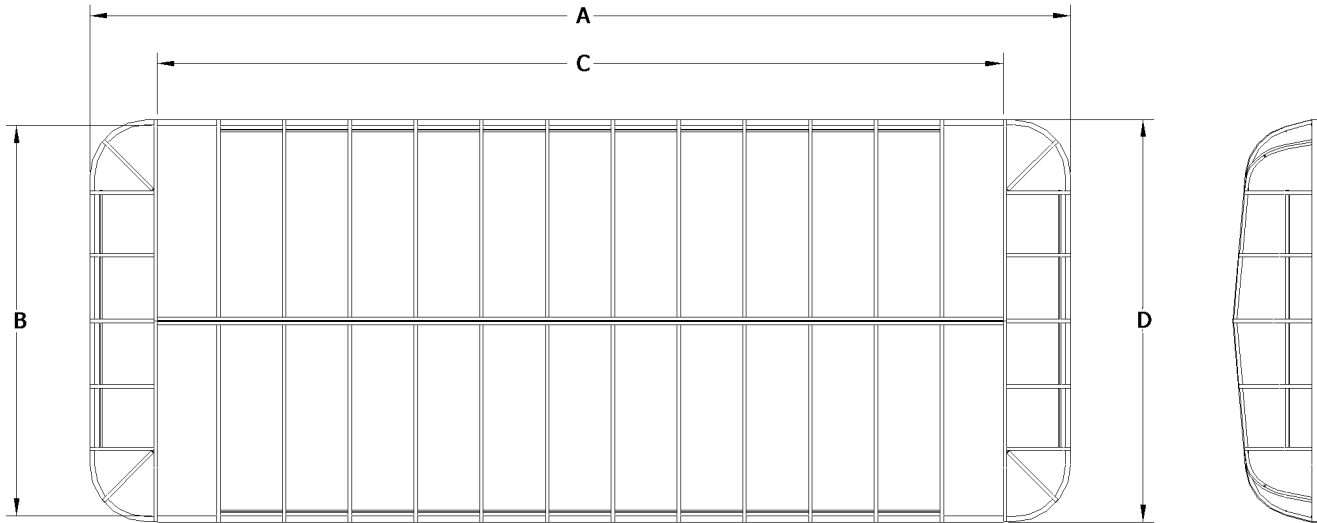


Attn: _____



**Harbor Master® Frame
 Specification Sheet**



***ALL MEASUREMENTS (±1")**

PART NO.	SIZE	OVERALL LENGTH "A"	INSIDE WIDTH "B"	SIDE RAIL LENGTH "C"	OUTSIDE WIDTH "D"
HM1900084	19' X 84"	19' 1-1/2"	84"	15' 10"	87 1/2"
HM2100096	21' X 96"	21' 1-1/2"	96"	17' 10"	99 1/2"
HM1800100	18' X 100"	18' 1-1/2"	100"	14' 10"	103 1/2"
HM2100100	21' X 100"	21' 1-1/2"	100"	17' 10"	103 1/2"
HM2100108	21' X 108"	21' 1-1/2"	108"	17' 10"	112"
HM2400108	24' X 108"	24' 1-1/2"	108"	20' 10"	112"
HM2400114	24' X 114"	24' 1-1/2"	114"	20' 10"	118"
HM2700114	27' X 114"	27' 1-1/2"	114"	23' 10"	118"
HM2400120	24' X 120"	24' 1-1/2"	120"	20' 10"	124"
HM2700120	27' X 120"	27' 1 1/2"	120"	23' 10"	124"

ATTACHMENT

Hooked bungee attaches to d-rings and hook over aluminum rod on frame.

STANDARD VALANCE: 12" VALANCE

OUTSIDE DIMENSIONS

- A _____ OVERALL LENGTH OF FRAME
- B _____ INSIDE WIDTH OF FRAME
- C _____ LENGTH OF SIDE RAILS (W/O ENDS)
- D _____ OUTSIDE WIDTH OF FRAME

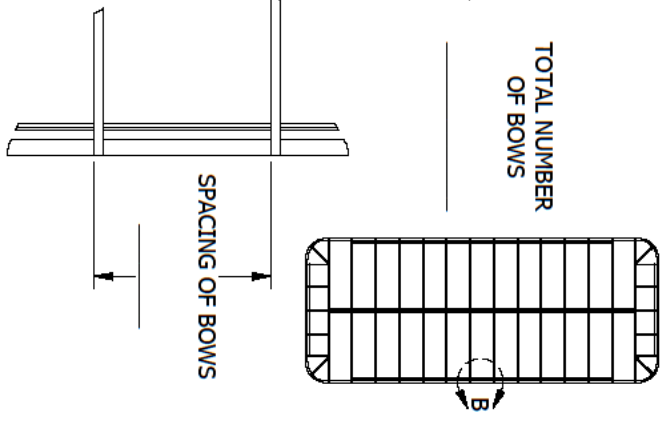
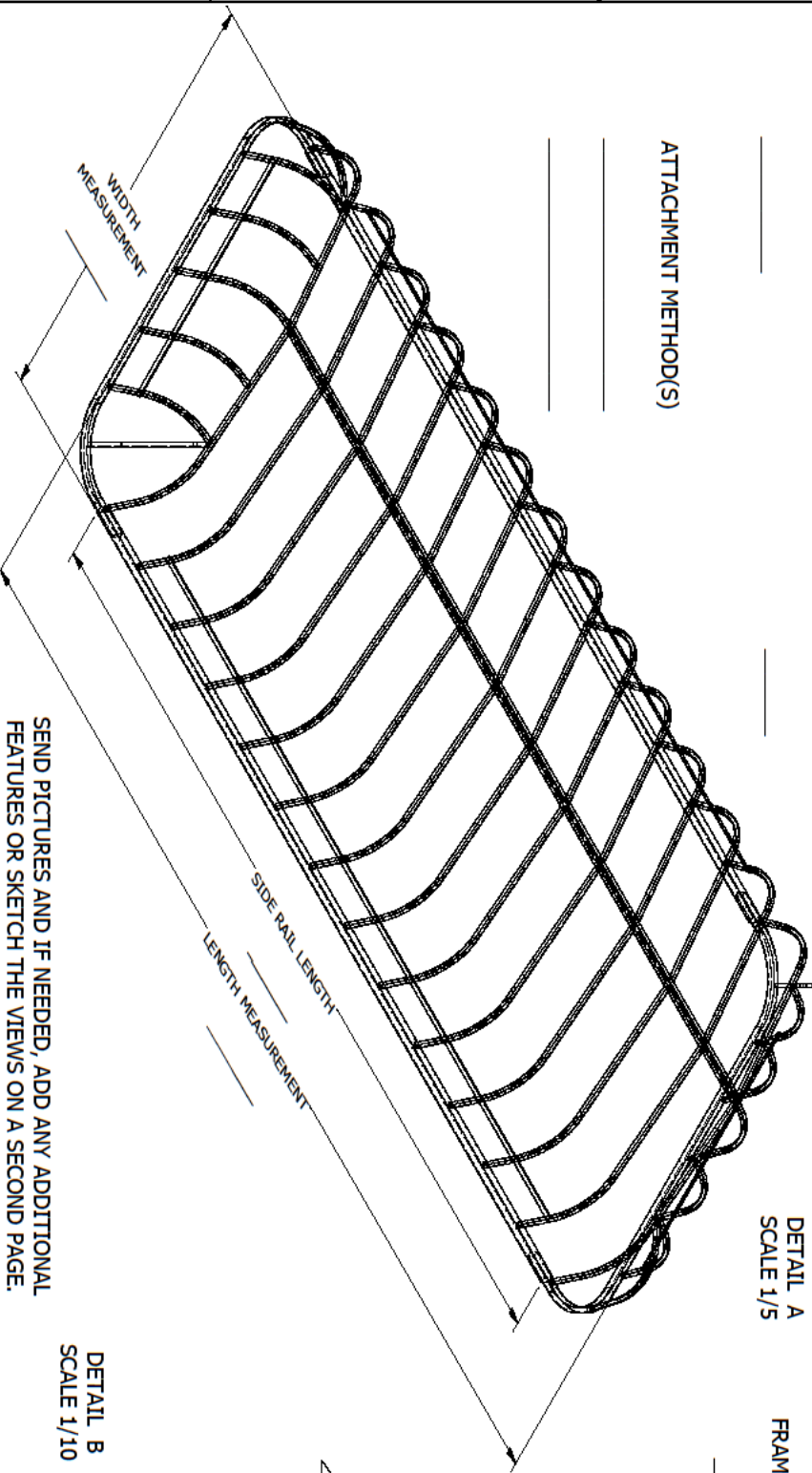
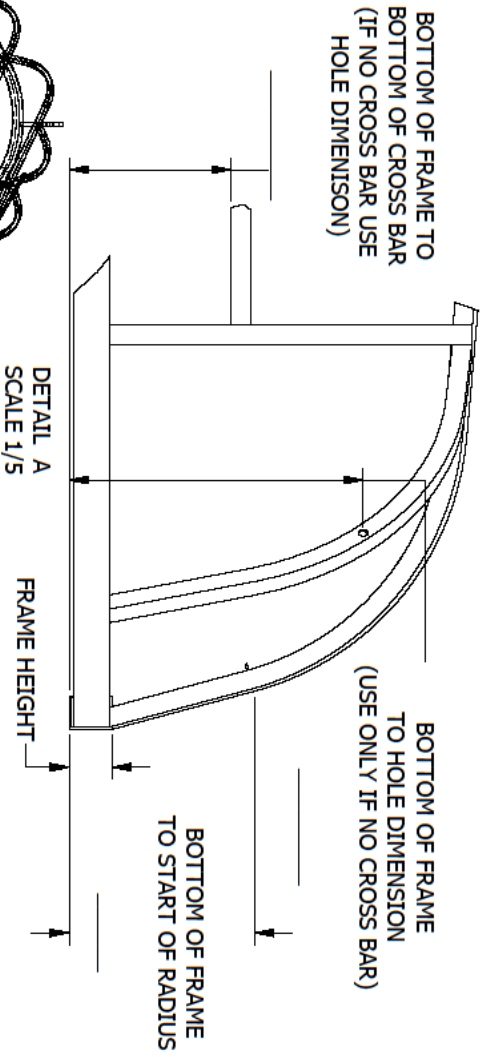
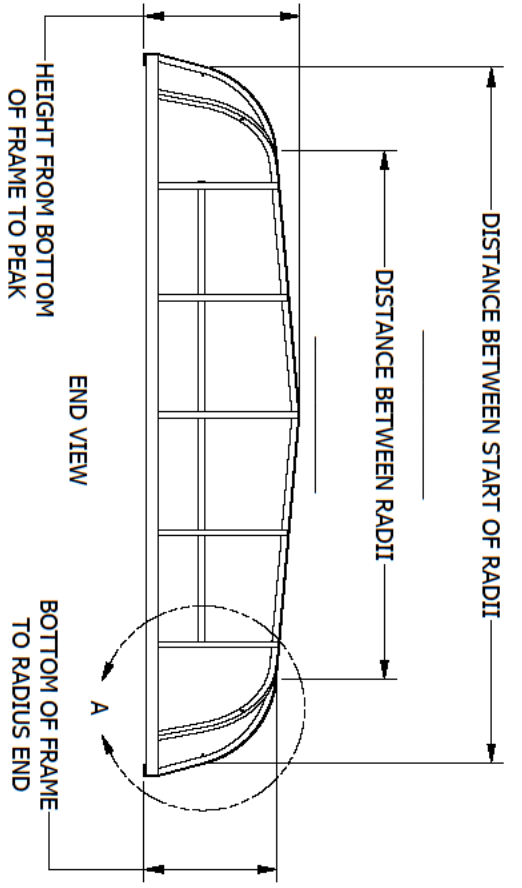
****If dimensions don't match above,
 fill out detail sheet on page 2****

CONTACT INFORMATION

Name _____
 Address _____
 City _____ State _____ Zip _____
 Phone _____ Fax _____
 Boat Lift Brand _____

NOTES

REVISIONS				ISSUER
REV	ECN	DATE	DESCRIPTION	RML
A	EC-00469	10/4/2016	RELEASE	RML
B	EC-00723	6/25/2018	ADD HOLE DIMENSION	RML



SEND PICTURES AND IF NEEDED, ADD ANY ADDITIONAL FEATURES OR SKETCH THE VIEWS ON A SECOND PAGE.

TOLERANCES - UNLESS NOTED

DECIMAL F.
FRACTION F.
ANGLE F.

RUSH-CO

1314 Walnut St. - Springfield, SD 57062 605-366-6000

TITLE: ROUND CORNER FRAME DETAIL SHEET

DRAWN: RML DATE: 4/2/2014 SCALE: 1 SHEET: 1 OF 1 PART NO: F-134

ENGR: CWS DATE: 10/10/2016

SIZE: C