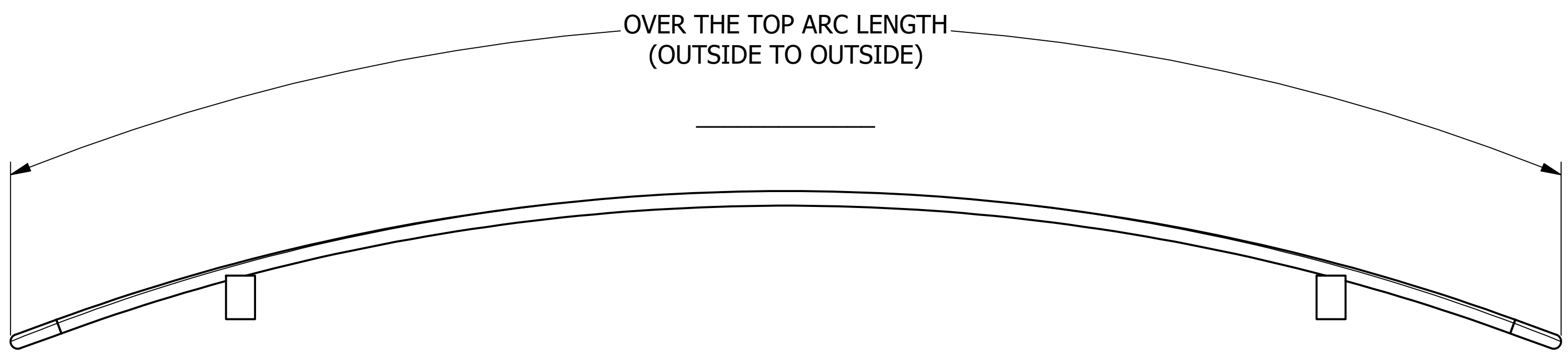
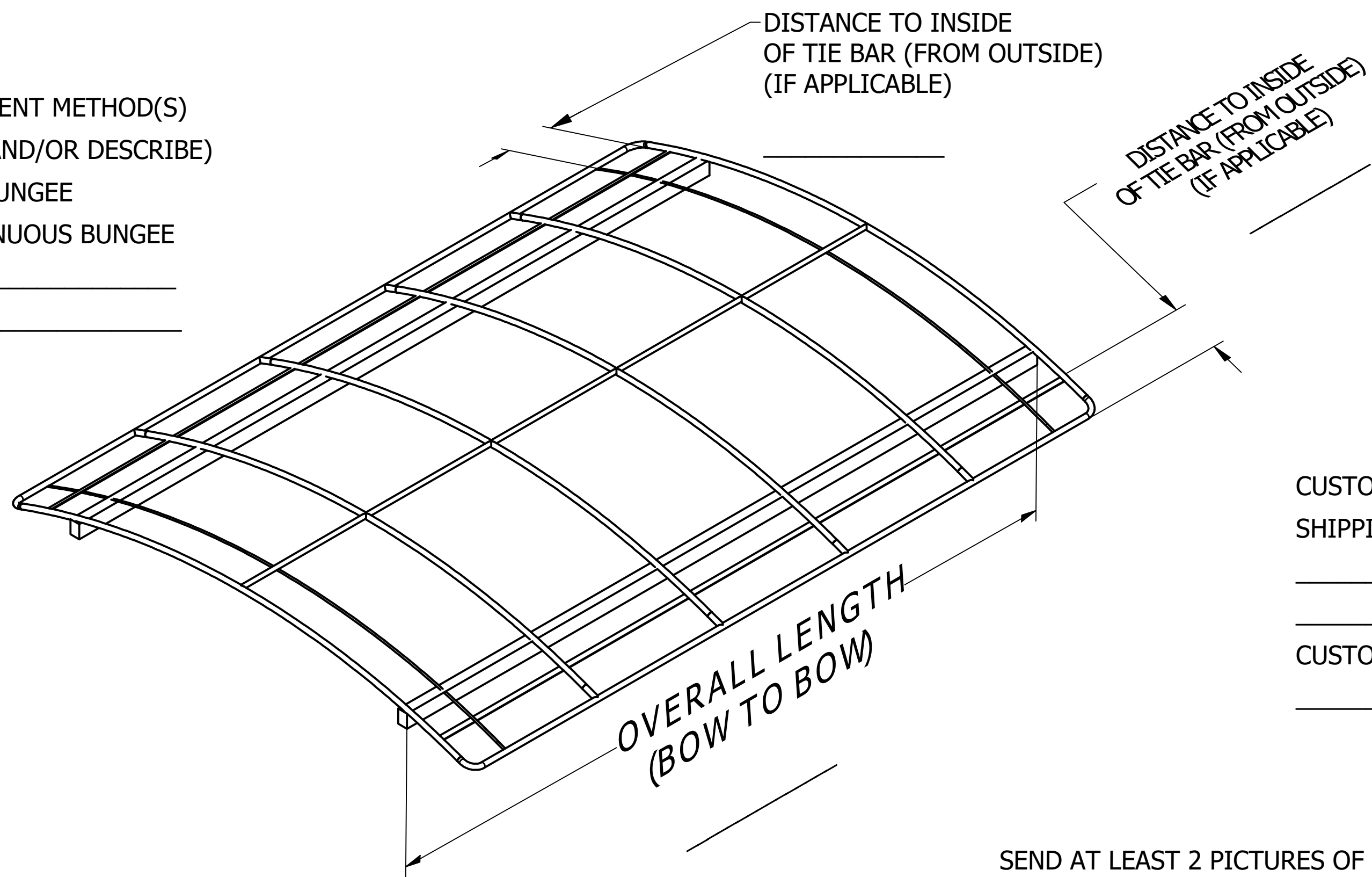


| REVISIONS | | | | | |
|-----------|----------|-----------|-------------|--------|------|
| REV | ECN | DATE | DESCRIPTION | ISSUER | ENGR |
| A | EC-00559 | 10/9/2017 | RELEASE | RML | JAM |
| B | | 1/5/2023 | UPDATE | RML | |



ATTACHMENT METHOD(S)
(CIRCLE AND/OR DESCRIBE)

1. BALL BUNGEE
2. CONTINUOUS BUNGEE
3. OTHER _____



CUSTOMER NAME _____

SHIPPING ADDRESS _____

CUSTOMER SIGN-OFF ON DIMENSIONS _____

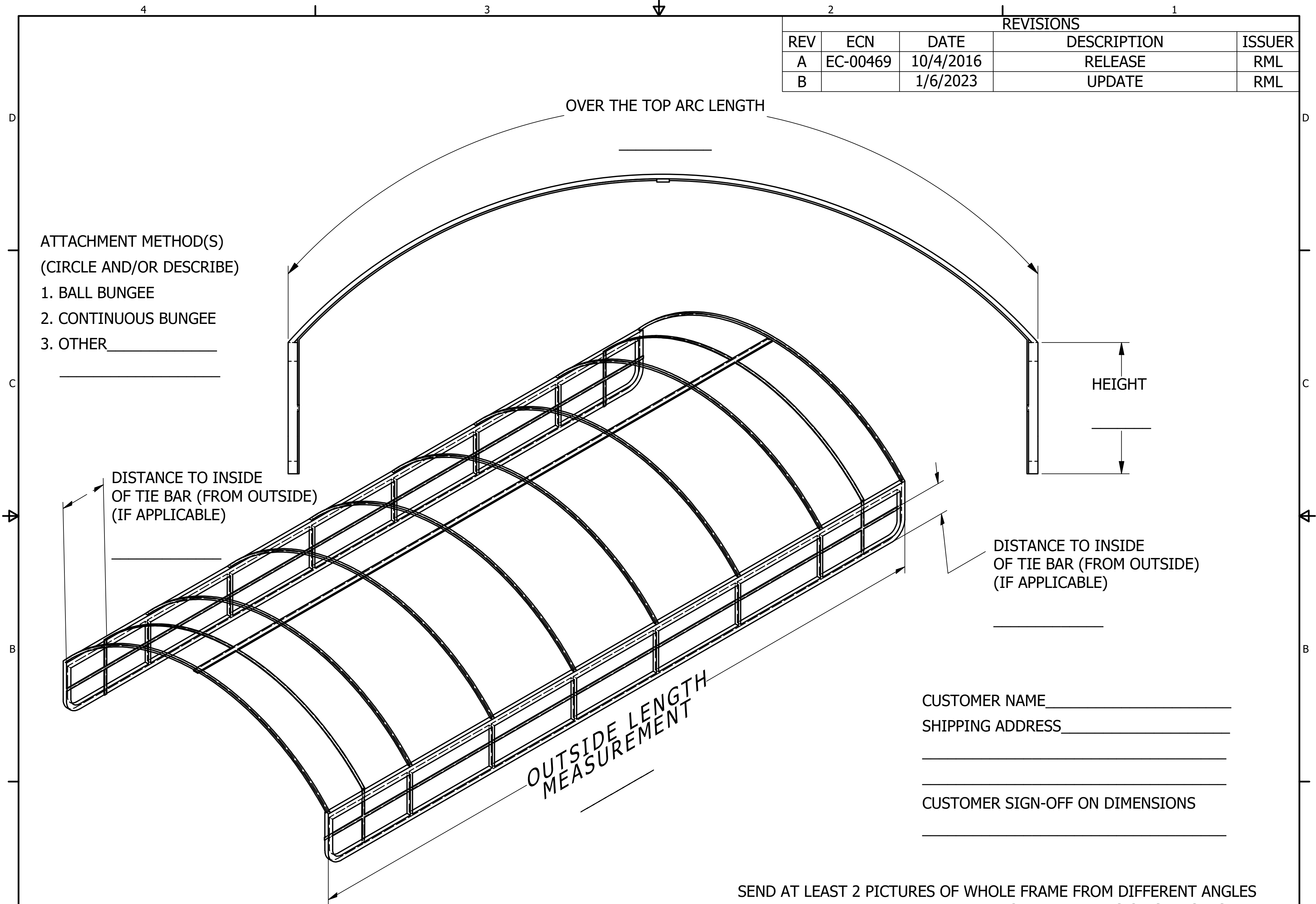
SEND AT LEAST 2 PICTURES OF WHOLE FRAME FROM DIFFERENT ANGLES AND IF NEEDED, ADD ANY ADDITIONAL FEATURES OR SKETCHES.

| | | | | | |
|---|--|--|------------------------------------|--------|------------------|
| TOLERANCES - UNLESS NOTED DECIMAL ± FRACTION ± ANGLE ± | | TITLE: RADIUS TOP W/BEAM FRAME DETAIL SHEET | | | SIZE C |
| | | DRFT: RML ENGR: JAM | DATE: 10/9/2017 DATE: 10/9/2017 | SCALE: | SHEET: 1/1 |

1314 Walnut St. - Springfield, SD 57062 605-369-6000

THIS ILLUSTRATION IS THE PROPERTY OF RUSH-CO, AND MUST NOT BE USED IN ANY WAY DETRIMENTAL TO RUSH-CO'S INTERESTS.

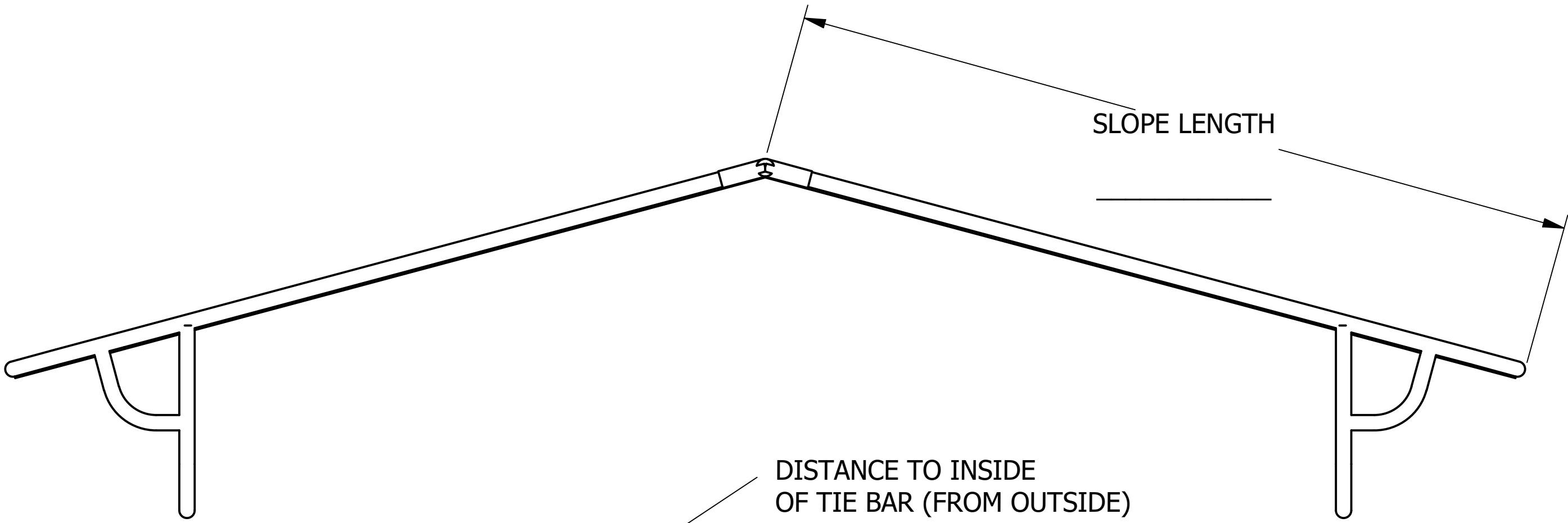
| REVISIONS | | | | |
|-----------|----------|-----------|-------------|--------|
| REV | ECN | DATE | DESCRIPTION | ISSUER |
| A | EC-00469 | 10/4/2016 | RELEASE | RML |
| B | | 1/6/2023 | UPDATE | RML |



SEND AT LEAST 2 PICTURES OF WHOLE FRAME FROM DIFFERENT ANGLES AND IF NEEDED, ADD ANY ADDITIONAL FEATURES OR SKETCHES.

| | | | | | |
|---|--|---|---------------------------|-------|------------------|
| TOLERANCES - UNLESS NOTED DECIMAL ± FRACTION ± ANGLE ± | | TITLE: RADIUS TOP W/DROP FRAME DETAIL SHEET | | | SIZE C |
| | | DRFT: RML | DATE 10/4/2016 | SCALE | SHEET 1 / 1 |
| NOTICE THIS ILLUSTRATION IS THE PROPERTY OF RUSH-CO, AND MUST NOT BE USED IN ANY WAY DETRIMENTAL TO RUSH-CO'S INTERESTS. | 1314 Walnut St. - Springfield, SD 57062 605-369-6000 | ENGR: CWG | DATE 10/10/2016 | | |

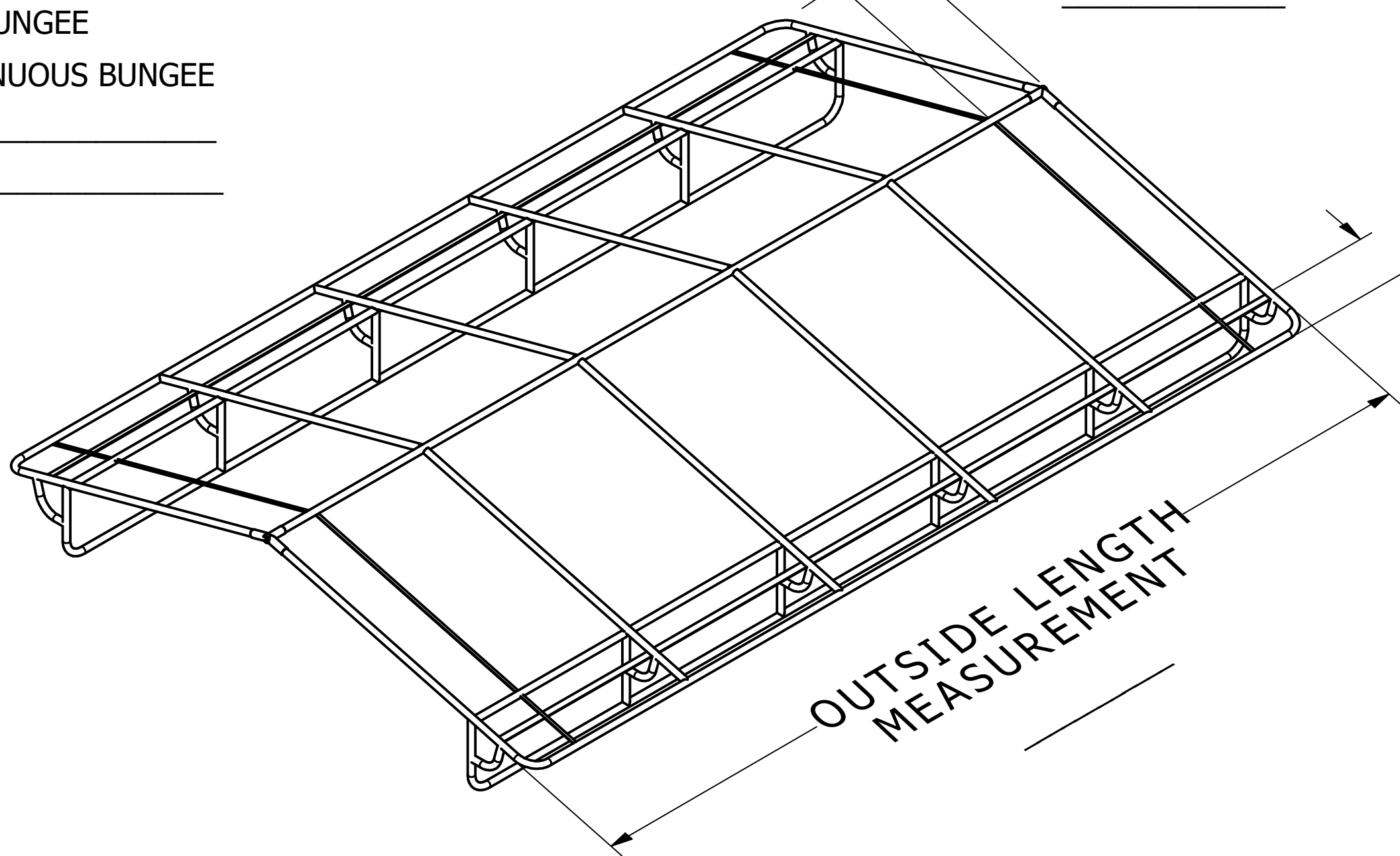
| REVISIONS | | | | |
|-----------|----------|-----------|-------------|--------|
| REV | ECN | DATE | DESCRIPTION | ISSUER |
| A | EC-00469 | 10/4/2016 | RELEASE | RML |
| B | | 1/6/2023 | UPDATE | RML |



DISTANCE TO INSIDE OF TIE BAR (FROM OUTSIDE) (IF APPLICABLE)

ATTACHMENT METHOD(S)
(CIRCLE AND/OR DESCRIBE)

1. BALL BUNGEE
2. CONTINUOUS BUNGEE
3. OTHER _____




DISTANCE TO INSIDE OF TIE BAR (FROM OUTSIDE) (IF APPLICABLE)

CUSTOMER NAME _____

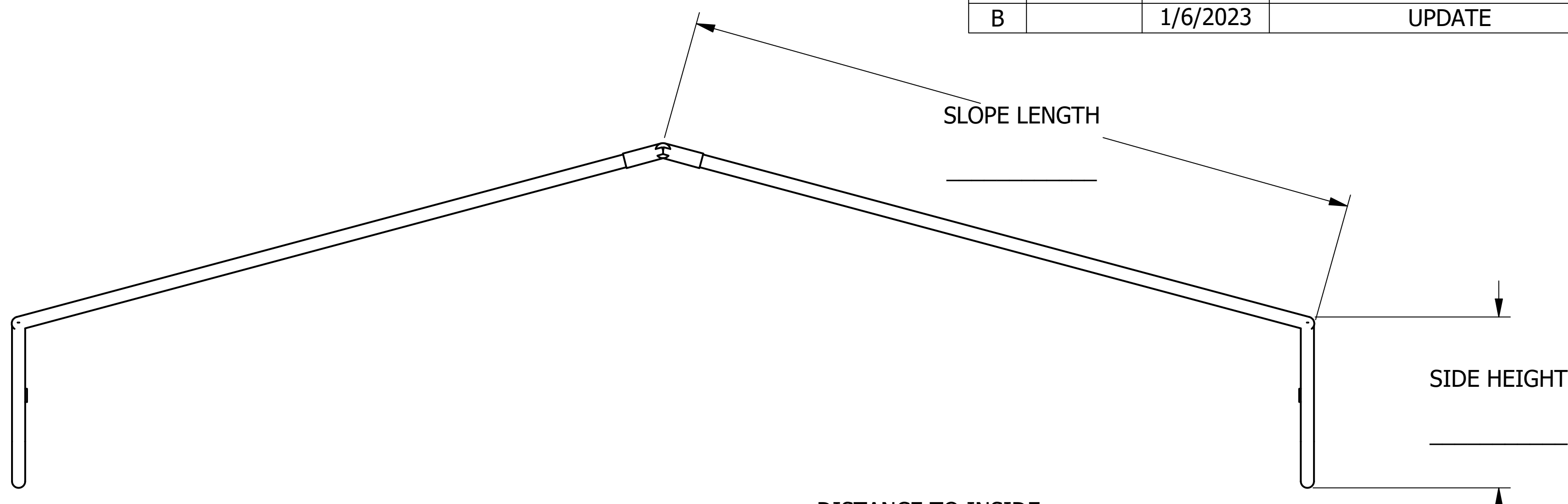
SHIPPING ADDRESS _____

CUSTOMER SIGN-OFF ON DIMENSIONS _____

SEND AT LEAST 2 PICTURES OF WHOLE FRAME FROM DIFFERENT ANGLES AND IF NEEDED, ADD ANY ADDITIONAL FEATURES OR SKETCHES.

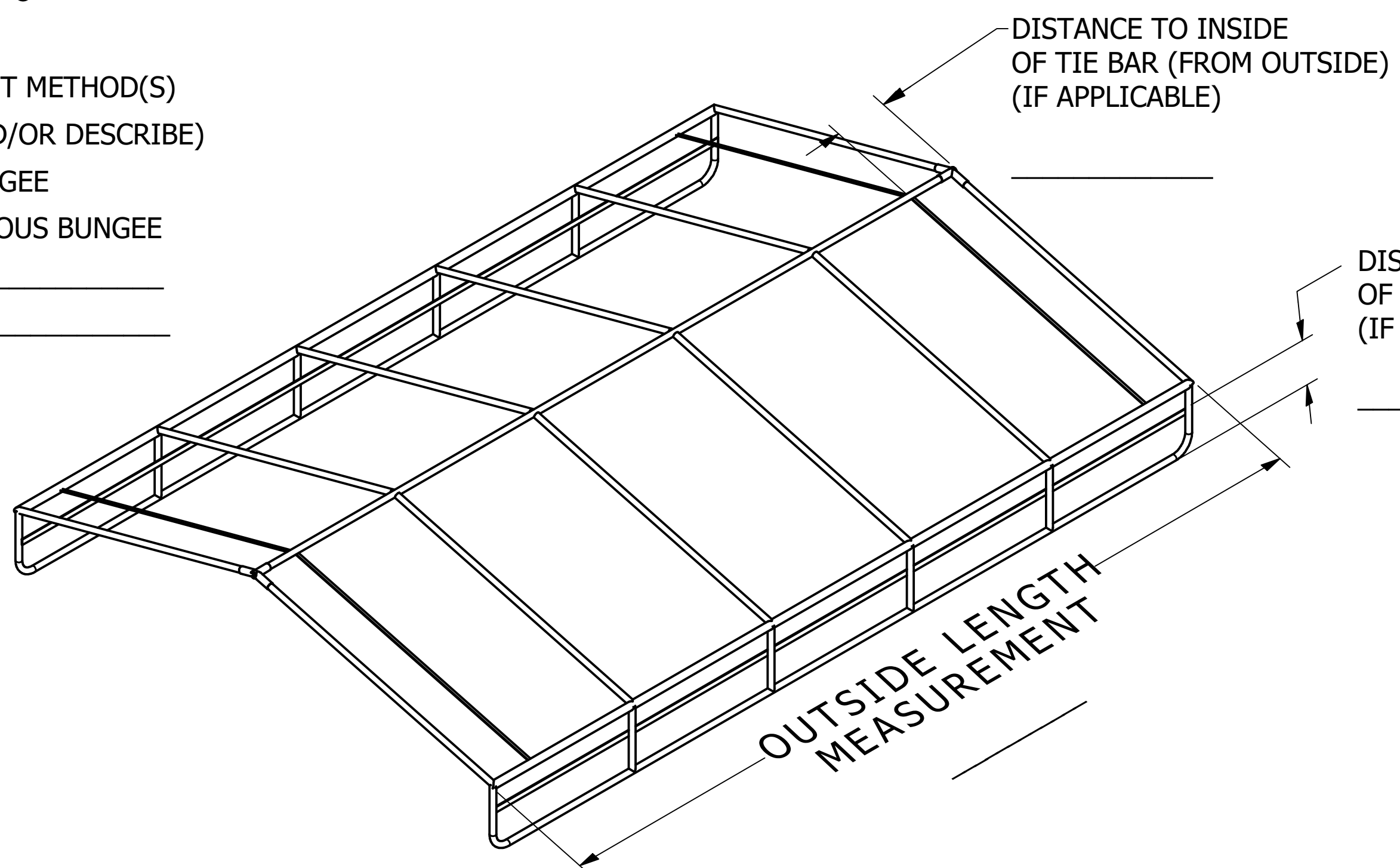
| | | | | | |
|---|---|---|---------------------------|-------|------------------|
| TOLERANCES - UNLESS NOTED DECIMAL ± FRACTION ± ANGLE ± |  1314 Walnut St. - Springfield, SD 57062 605-369-6000 | TITLE: STANDARD PEAK TOP FRAME DETAIL SHEET | | | SIZE C |
| | | DRFT: RML | DATE 2/15/2016 | SCALE | SHEET 1 / 1 |
| NOTICE THIS ILLUSTRATION IS THE PROPERTY OF RUSH-CO, AND MUST NOT BE USED IN ANY WAY DETRIMENTAL TO RUSH-CO'S INTERESTS. | | ENGR: CWG | DATE 10/10/2016 | | |

| REVISIONS | | | | |
|-----------|----------|-----------|-------------|--------|
| REV | ECN | DATE | DESCRIPTION | ISSUER |
| A | EC-00469 | 10/4/2016 | RELEASE | RML |
| B | | 1/6/2023 | UPDATE | RML |



ATTACHMENT METHOD(S)
(CIRCLE AND/OR DESCRIBE)

1. BALL BUNGEE
2. CONTINUOUS BUNGEE
3. OTHER _____




DISTANCE TO INSIDE OF TIE BAR (FROM OUTSIDE) (IF APPLICABLE)

CUSTOMER NAME _____

SHIPPING ADDRESS _____

CUSTOMER SIGN-OFF ON DIMENSIONS _____

SEND AT LEAST 2 PICTURES OF WHOLE FRAME FROM DIFFERENT ANGLES AND IF NEEDED, ADD ANY ADDITIONAL FEATURES OR SKETCHES.

| | | | | |
|---|---|--|---------------------------|------------------|
| TOLERANCES - UNLESS NOTED DECIMAL ± FRACTION ± ANGLE ± |  1314 Walnut St. - Springfield, SD 57062 605-369-6000 | TITLE: STANDARD PEAK TOP W/DROP FRAME DETAIL SHEET | | SIZE C |
| | | DRFT: RML | DATE 2/15/2016 | SCALE |
| NOTICE THIS ILLUSTRATION IS THE PROPERTY OF RUSH-CO, AND MUST NOT BE USED IN ANY WAY DETRIMENTAL TO RUSH-CO'S INTERESTS. | | ENGR: CWG | DATE 10/10/2016 | |