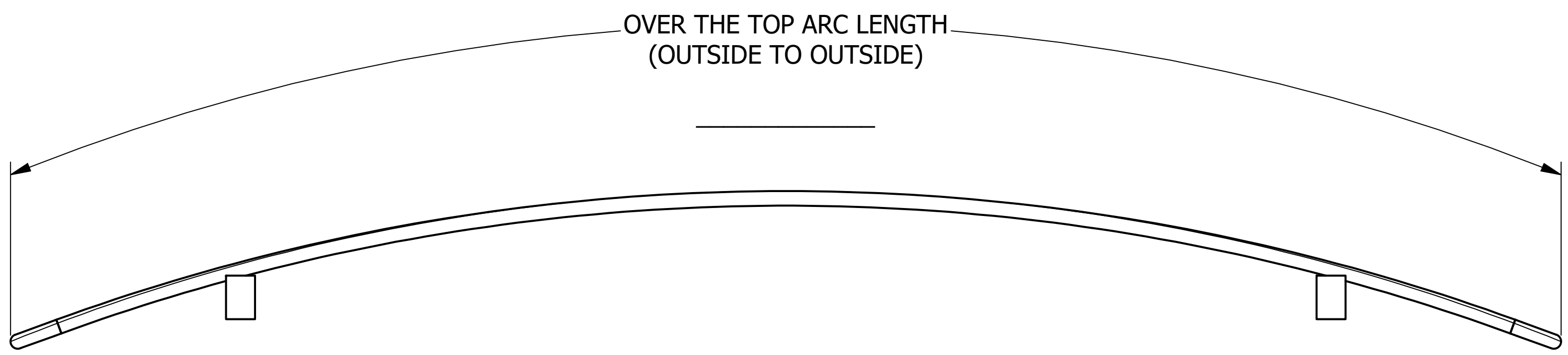
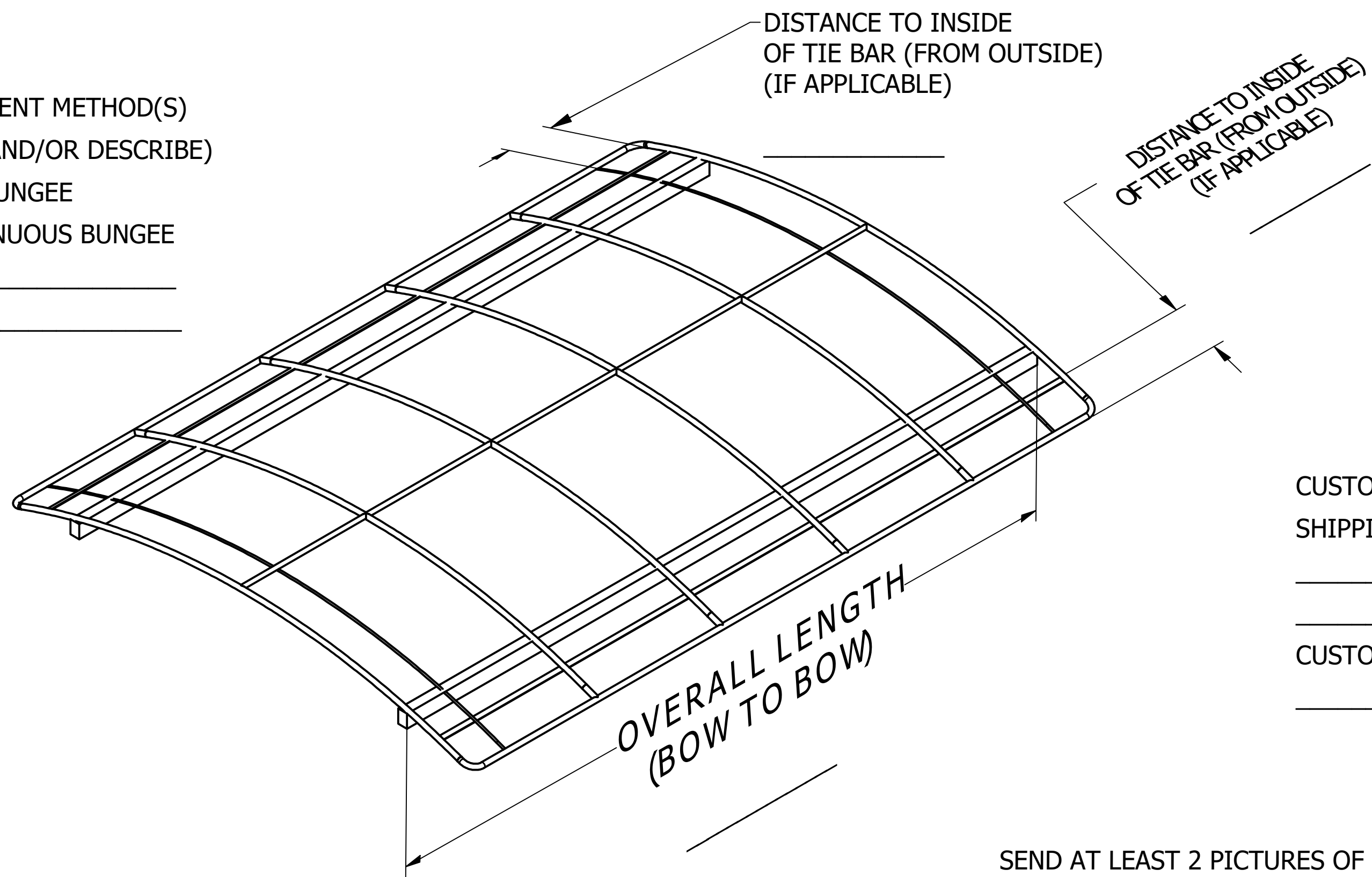


REVISIONS					
REV	ECN	DATE	DESCRIPTION	ISSUER	ENGR
A	EC-00559	10/9/2017	RELEASE	RML	JAM
B		1/5/2023	UPDATE	RML	



ATTACHMENT METHOD(S)  
(CIRCLE AND/OR DESCRIBE)

1. BALL BUNGEE
2. CONTINUOUS BUNGEE
3. OTHER \_\_\_\_\_



CUSTOMER NAME \_\_\_\_\_

SHIPPING ADDRESS \_\_\_\_\_

\_\_\_\_\_

CUSTOMER SIGN-OFF ON DIMENSIONS \_\_\_\_\_

SEND AT LEAST 2 PICTURES OF WHOLE FRAME FROM DIFFERENT ANGLES AND IF NEEDED, ADD ANY ADDITIONAL FEATURES OR SKETCHES.

TOLERANCES - UNLESS NOTED DECIMAL ± FRACTION ± ANGLE ±		TITLE: <b>RADIUS TOP W/BEAM FRAME DETAIL SHEET</b>			SIZE <b>C</b>
		DRFT: RML ENGR: JAM	DATE: 10/9/2017 DATE: 10/9/2017	SCALE	SHEET: 1/1

**NOTICE** THIS ILLUSTRATION IS THE PROPERTY OF RUSH-CO, AND MUST NOT BE USED IN ANY WAY DETRIMENTAL TO RUSH-CO'S INTERESTS.

1314 Walnut St. - Springfield, SD 57062 605-369-6000